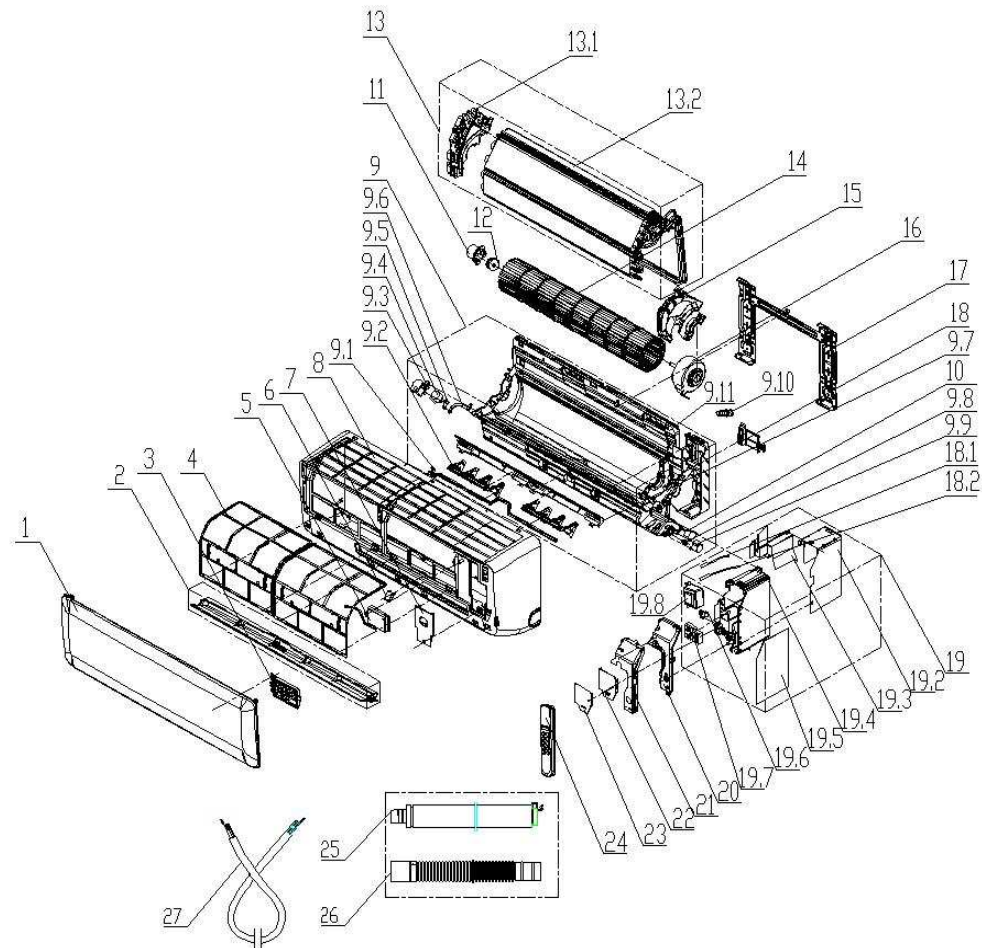


# EXPLODED DIAGRAM — PARTS VIEW

**Sales Model:** KSIA012-H217-IW  
**Power Supply:** 208-230 V-1ph-60 Hz



This information is to be used by qualified HVAC technicians only and is subject to revision without notice

KSIA012-H217-IW - Drawing No. D2IA1818

DATE 18-04

## KSIA012-H217-IW — SPARE PARTS LIST

No.	Part Number	Description	Specifications	Stock No.	Qty.	Price	Remarks
1	11320003002093	Panel			1	\$ 166.96	
2	11320005000289	Air louver (Horizontal)			1	\$ 23.57	
3	11222014000608	Display board			1	\$ 89.29	
4	11220508000139	Filter			2	\$ 5.36	
6	11320096000075	Screw cover			1	\$ 2.68	
7	11320076000084	Medium frame wiring cover			1	\$ 10.71	
8	11320002000234	Medium frame			1	\$ 12.86	
9	11220500000214	Chassis assembly			1	\$ 167.41	
9.2	11320017000124	Left-right swing blade			2	\$ 10.71	
9.7	11320135000018	Volute			1	\$ 5.36	
9.8	11320079000016	Step motor shaft sleeve			1	\$ 12.86	
9.9	11230002000086	Air louver step motor			1	\$ 39.29	
9.1	11333003000009	Stoppie			1	\$ 12.86	
9.11	11320001000241	Chassis			1	\$ 98.21	
11	11320062000028	Bearing fixed chassis			1	\$ 8.04	
13	11224003000707	Evaporator assembly			1	\$ 326.34	
13.1	11320015000139	Evaporator left side carriage			1	\$ 246.43	
14	11220513000065	Cross flow fan			1	\$ 23.57	
15	11320052000044	Motor cover			1	\$ 13.39	
16	11230003000141	IDU fan motor			1	\$ 220.98	
17	11221500000034	Mounting plate assembly			1	\$ 45.18	
18	11320084000013	Pipe clamp			1	\$ 27.86	
19	11222003002198	Main controller			1	\$ 91.07	
19.1	11329013000103	Temperature sensor			1	\$ 47.14	

This information is to be used by qualified HVAC technicians only and is subject to revision without notice

KSIA012-H217-IW - Parts List No. P2IA1818

Above prices are subject to S&H charges

DATE 18-04

## KSIA012-H217-IW — SPARE PARTS LIST

No.	Part Number	Description	Specifications	Stock No.	Qty.	Price	Remarks
19.2	11321020000033	Controller box sheet-metal A			1	\$ 39.29	
19.3	11321020000034	Controller box sheet-metal B			1	\$ 39.29	
19.4	11320057000082	Control box			1	\$ 47.14	
19.5	11222009003383	Main control board			1	\$ 47.14	
19.7	11330037000184	Terminal board			1	\$ 31.43	
20	11320058000067	Control box cover			1	\$ 45.18	
21	11321020000035	Controller box metal plate			1	\$ 39.29	
22	11320111000005	Guard of electric control box			1	\$ 27.86	
23	11321020000036	Cover of electric control box			1	\$ 23.57	
24	11222001000112	Remote controller			1	\$ 27.86	
25	11220506000002	Water flow pipe assembly			1	\$ 13.39	
26	11320020000008	Water flow pipe			1	\$ 19.29	
27	11330021000980	Power cable			1	\$ 5.36	

This information is to be used by qualified HVAC technicians only and is subject to revision without notice

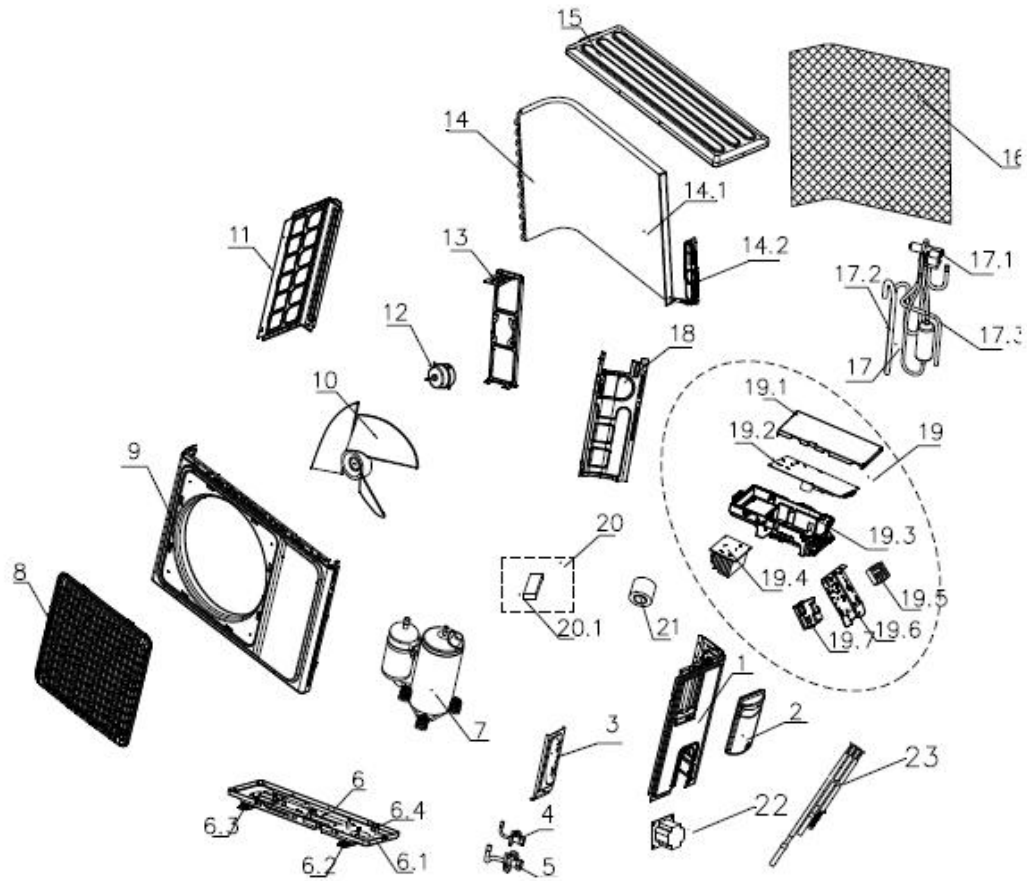
KSIA012-H217-IW - Parts List No. P2IA1818

Above prices are subject to S&H charges

DATE 18-04

# EXPLODED DIAGRAM — PARTS VIEW

**Sales Model:** KSIA012-H217-O  
**Power Supply:** 208-230 V-1-60 Hz



This information is to be used by qualified HVAC technicians only and is subject to revision without notice

KSIA012-H217-O - Drawing No. D1IA1819

DATE 18-04

## KSIA012-H217-O — SPARE PARTS LIST

No.	Part Number	Description	Specifications	Stock No.	Qty.	Price	Remarks
1	11321007000287	Right side board			1	\$41.80	
2	11321008000014	E-parts cover			1	\$9.60	
3	11321031000027	Valve plate			1	\$9.60	
4	11325042000030	Stop valve			1	\$27.72	
5	11225517000006	Stop valve			1	\$27.72	
6	11221502000461	Chassis assembly			1	\$79.00	
6.1	11321014000144	Chassis			1	\$63.20	
6.2	11321023000012	Right side board			2	\$15.36	
6.3	11321023000012	Left side board			2	\$15.36	
6.4	14731005000022	Screw			3	\$7.20	
7	11223004000031	Compressor assembly			1	\$419.02	
8	11321022000241	Panel grille			1	\$41.80	
9	11321005000104	Panel			1	\$63.20	
10	11320009000049	Axial flow fan			1	\$41.80	
11	11321006000108	Left side board			1	\$31.24	
12	11230005000002	Motor			1	\$161.16	
13	11321002000039	Motor support			1	\$27.72	
14	11224004001443	Condenser assembly			1	\$303.36	
14.1	11224006000396	Condenser assembly			1	\$242.70	
14.2	11225506001541	Capillary assembly			1	\$34.76	
15	11321009000033	Top cover			1	\$52.14	
16	11332009000044	Paperboard			1	\$4.80	
17	11225516000963	4-way valve tubing assembly			1	\$52.14	
17.1	11325007000100	4-way valve			1	\$31.24	

This information is to be used by qualified HVAC technicians only and is subject to revision without notice

KSIA012-H217-O - Parts List No. P11A1819

Above prices are subject to S&H charges

DATE 18-04

## KSIA012-H217-O — SPARE PARTS LIST

No.	Part Number	Description	Specifications	Stock No.	Qty.	Price	Remarks
17.2	11325019001297	Suction pipe assembly			1	\$27.72	
17.3	11225505000840	Discharge pipe assembly			1	\$31.24	
18	11321025000048	Partition board			1	\$14.10	
19	11222004000847	Main controller			1	\$380.74	
19.1	11320058000057	Control box cover			1	\$27.72	
19.2	11222031000878	Main control board			1	\$314.26	
19.3	11320057000069	Control box			1	\$9.60	
19.4	11329031000054	Radiator			1	\$9.60	
19.5	11330037000157	Terminal board			1	\$4.80	
19.6	11321015000061	E-parts bracket			1	\$14.10	
20	11219005000166	Accessory bag			1	\$27.72	
20.1	14618079000002	Putty			1	\$4.80	
21	11320022000016	Beltingh			1	\$14.10	
22	11330034000008	Reactor			1	\$56.80	
23	11329013000105	Temperature sensor			1	\$27.72	

This information is to be used by qualified HVAC technicians only and is subject to revision without notice

KSIA012-H217-O - Parts List No. P1IA1819

Above prices are subject to S&H charges

DATE 18-04