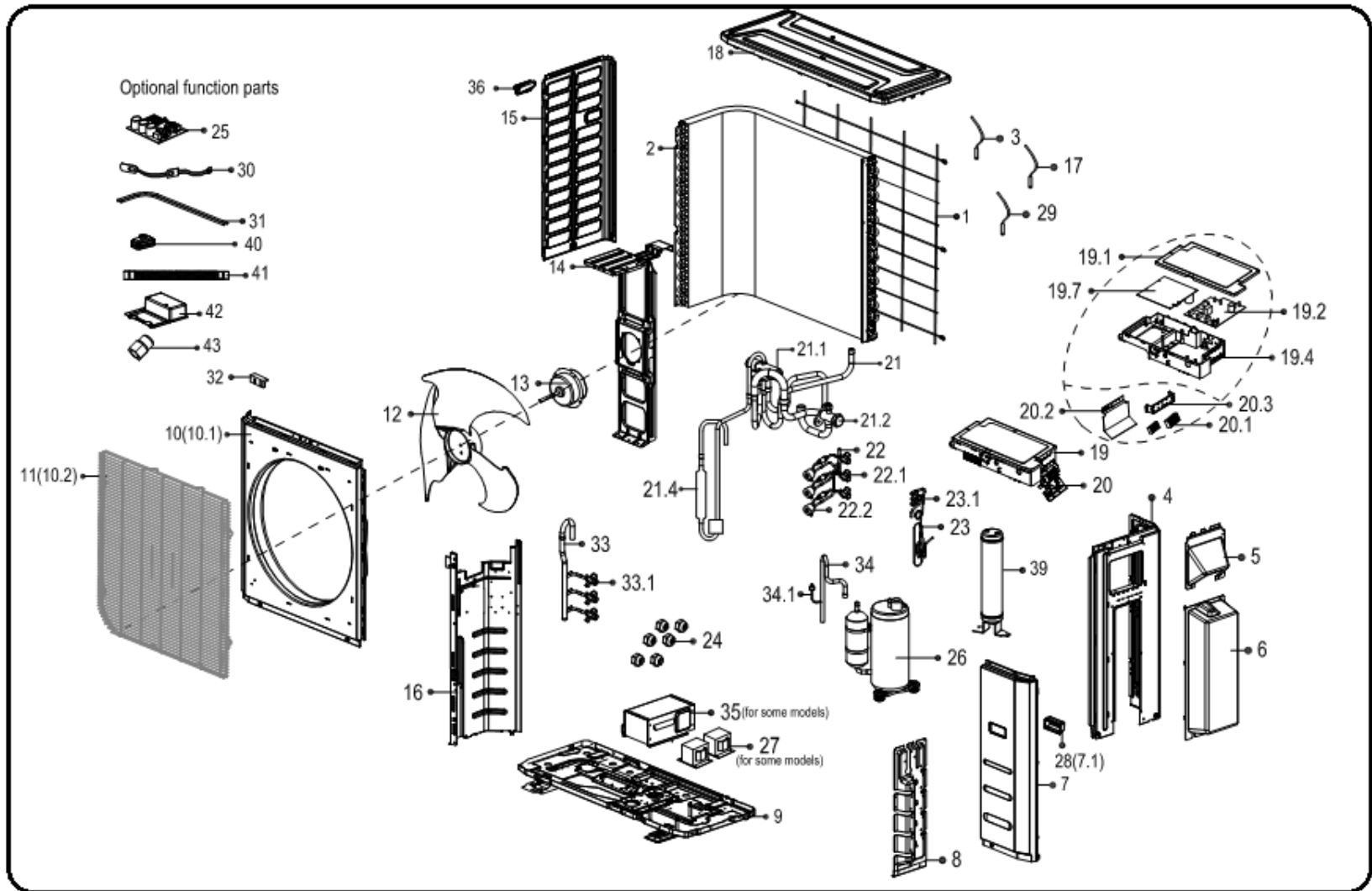


EXPLODED DIAGRAM - PARTS VIEW

Sale Model: KMIR327-H217
Power Supply: 208-230V~ 60Hz 1ph



This information is to be used by qualified HVAC technicians only and is subject to revision without notice

KMIR327-H217 - Drawing No. DI5R1602

DATE 16-06

KMIR327-H217 - SPARE PARTS LIST

No.	Part Number	Part Name	Specifications	Stock No.	Qty.	Price	Remarks
1	12222000006604	Rear net			1	\$ 26.13	
2	15822000002068	Condenser assembly			1	\$ 242.84	
3	11201007000006	Pipe temperature sensor assembly			1	\$ 5.50	
3	11201007000044	Pipe temperature sensor assembly			1	\$ 7.37	
4	12222300000510	Rear right clapboard assembly			1	\$ 50.15	
5	12222300000529	Big handle			1	\$ 6.82	
6	12122300000110	Water collector			1	\$ 23.70	
7	12222500A00135	Front right clapboard assembly			1	\$ 42.84	
8	12222000005282	Valve plate			1	\$ 15.80	
9	12222000005267	Chassis assembly			1	\$ 80.15	
10	12222000A01431	Front panel			1	\$ 101.22	
11	12222000007904	Air outlet grille			1	\$ 51.60	
12	12100105000084	Axial flow fan			1	\$ 43.35	ZL-560*139*12-3KN
13	11002015000247	Brushless DC motor			1	\$ 151.14	ZKFN-120-8-2
14	12222000005162	Supporter assembly of fan motor			1	\$ 44.75	
15	12222000006665	Left side plate assembly of cabinet			1	\$ 37.62	
16	12222200001156	Partition board assembly			1	\$ 28.12	
17	11201007000039	Ambient temperature sensor assembly			1	\$ 3.74	
18	12222500000541	Top cover assembly			1	\$ 56.61	
19	17222300000730	Electronic control box assembly			1	\$ 391.97	
19.1	12122000006905	Cover of electronic control box			1	\$ 24.50	
19.2	17122300001094	Outdoor main control board assembly			1	\$ 170.46	

This information is to be used by qualified HVAC technicians only and is subject to revision without notice

KMIR327-H217 - Drawing No. P5IR1602

Above prices are subject to S&H charges

DATE 16-06

KMIR327-H217 - SPARE PARTS LIST

No.	Part Number	Part Name	Specifications	Stock No.	Qty.	Price	Remark
19.2	17122300001552	Outdoor main control board assembly			1	\$ 314.12	
19.4	12122300000170	Electronic installing box			1	\$ 38.10	
20	17222300000729	Terminal board assembly			1	\$ 69.79	
20.1	17400401000135	Wire joint			2	\$ 27.20	
20.2	12222300000033	Terminal board			1	\$ 4.29	
20.3	12222300000032	Terminal board			1	\$ 1.87	
21	15422300000604	4-ways valve assembly			1	\$ 135.90	
21.1	15500216000361	4-ways valve			1	\$ 80.24	
21.2	15500204000049	Gas valve			1	\$ 52.02	
21.4	15500506000007	Muffler			1	\$ 19.90	
22	15422300000404	liquid valve assembly			1	\$ 229.62	
22.1	15500208000028	Liquid valve			3	\$ 39.00	
22.2	15500213000046	Electronic expansion valve assembly			3	\$ 268.38	
23	15422300000405	liquid valve assembly			1	\$ 36.01	
23.1	15500208000047	Liquid valve			1	\$ 23.80	
24	15500406000010	Copper nut			3	\$ 10.89	
24	15500406000012	Copper nut			3	\$ 14.19	
24	15500406000016	Copper nut			3	\$ 6.60	
26	11103020000179	Compressor			1	\$ 382.64	ATF235D22UMT
27	17400306000058	Reactor			1	\$ 63.07	
27	17400306000070	Reactor			1	\$ 46.16	
29	11201007000246	Discharge temperature sensor assembly			1	\$ 10.60	
30	17402002000043	Electric heater of chassis			1	\$ 83.56	
31	17402001000119	Crankcase electric heater			1	\$ 23.70	

This information is to be used by qualified HVAC technicians only and is subject to revision without notice

KMIR327-H217 - Drawing No. P5IR1602

Above prices are subject to S&H charges

DATE 16-06

KMIR327-H217 - SPARE PARTS LIST

No.	Part Number	Part Name	Specifications	Stock No.	Qty.	Price	Remark
33	15422300000406	Gas valve assembly			1	\$ 87.92	
33.1	15500204000021	Gas valve			3	\$ 20.80	DYF-A28N
34	15122300001047	Suction pipe assembly			1	\$ 20.90	
39	15500508000315	Accumulator cylinder			1	\$ 66.05	
41	12100509000059	Drain pipe			1	\$ 3.19	
43	15500307000001	Transfer connecter			3	\$ 33.60	
99	17401203000939	Compressor wire assembly			1	\$ 17.30	

This information is to be used by qualified HVAC technicians only and is subject to revision without notice

KMIR327-H217 - Drawing No. P5IR1602

Above prices are subject to S&H charges

DATE 16-06