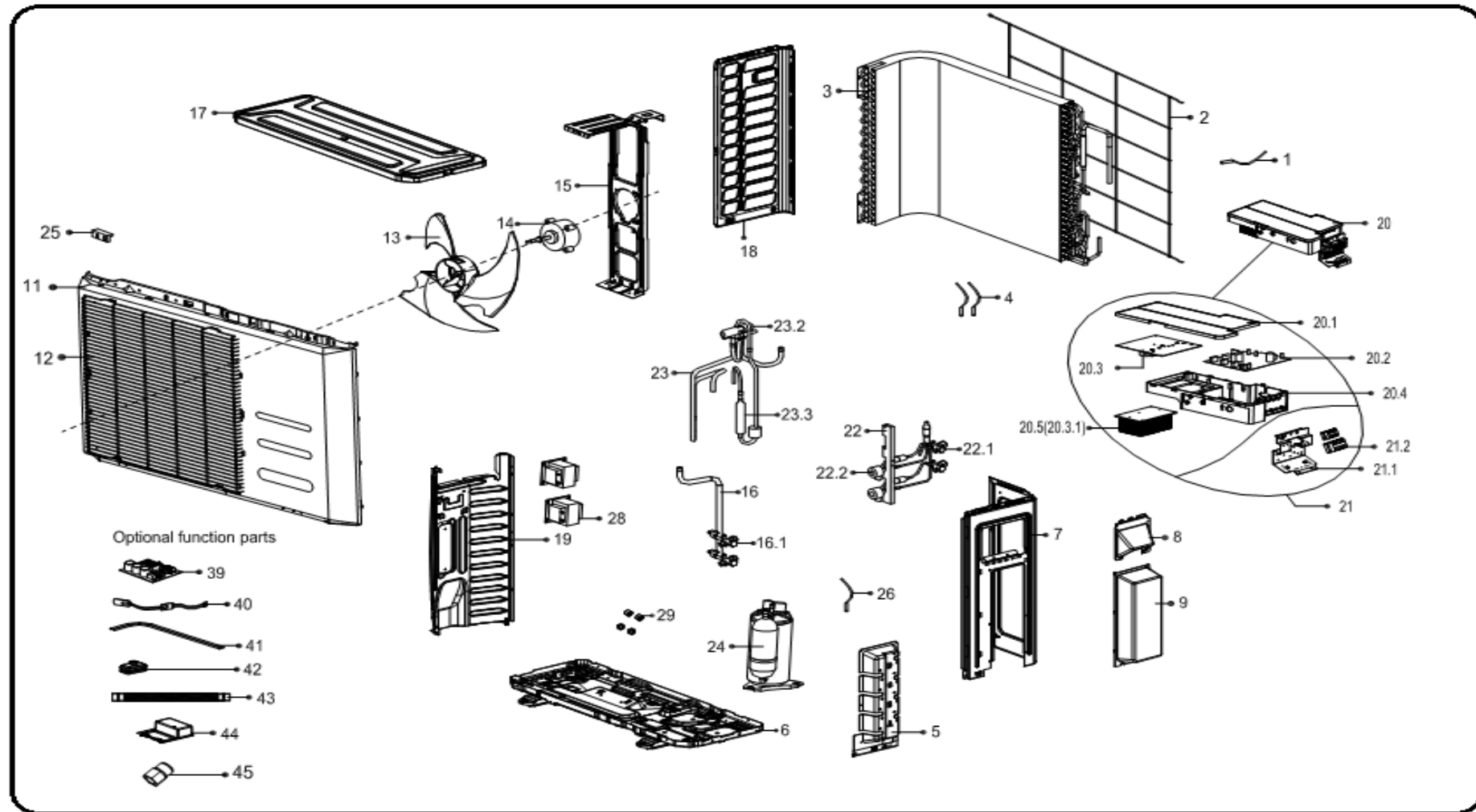


# EXPLODED DIAGRAM - PARTS VIEW

**Sale Model:** KMIR218-H221  
**Power Supply:** 208-230V~ 60Hz 1ph



KMIR218-H221 - Drawing No. D5HM1411

This information is to be used by qualified HVAC technicians only and is subject to revision without notice

DATE 18-03

## KMIR218-H221 - SPARE PARTS LIST

No.	Part Number	Part Name	Specifications	Stock No.	Qty.	Price	Remarks
1	11201007000143	Ambient temperature sensor assembly			1	\$3.74	
2	12222000004833	Rear net			1	\$18.90	
3	15822000004516	Condenser assembly			1	\$235.76	
4	11201007000136	Pipe temperature sensor assembly			1	\$4.95	
4	11201007000259	Pipe temperature sensor assembly			1	\$7.26	
5	12222300000551	Valve plate			1	\$15.60	
6	12222000A01131	Chassis assembly			1	\$70.21	
7	12222300000550	Rear right clapboard assembly			1	\$46.08	
8	12222300000029	Big handle			1	\$6.38	
9	12122300000150	Water collector			1	\$24.00	
11	12222000006304	Front panel			1	\$84.84	
11.1	12222000008704	Front panel			1	\$89.11	
12	12222000007425	Air outlet grille			1	\$46.17	
13	12100105000181	Axial flow fan			1	\$40.76	
14	11002015000397	Asynchronous motor			1	\$127.38	ZKFN-50-8-2
15	12222000004884	Supporter assembly of fan motor			1	\$25.37	
16	15422300000425	Liquid valve assembly			1	\$69.11	
16.1	15500204000021	Liquid valve			2	\$20.80	
17	12222000004835	Top cover assembly			1	\$44.37	
18	12222000004831	Left supporter			1	\$27.17	
19	12222000004784	Partition board assembly			1	\$21.80	
20	17222300000769	Electronic control box assembly			1	104.76	

This information is to be used by qualified HVAC technicians only and is subject to revision without notice

KMIR218-H221 - Parts List No. P5HM1411

Above prices are subject to S&H charges

DATE 18-03

## KMIR218-H221 - SPARE PARTS LIST

No.	Part Number	Part Name	Specifications	Stock No.	Qty.	Price	Remark
20.1	1212230000044	Cover of electronic control box			1	\$21.40	
20.2	17122300001132	Outdoor main control board assembly			1	\$156.60	
20.3	17122300001114	Inverter control board assembly			1	\$294.36	
20.3.1	11203803000676	Radiator			1	\$1.32	
20.3.1	11203803000856	Radiator			1	\$95.34	
20.4	1212230000041	Installation plate of electric parts			1	\$46.65	
21	17222300000768	Terminal board assembly			1	\$55.25	
21.1	12222300000226	Terminal board			1	\$4.95	
21.2	17400401000084	Wire joint			1	\$19.40	
22	15422300000426	Liquid valve assembly			1	\$204.18	
22.1	15500208000028	Liquid valve			2	\$13.00	
22.2	15500213000046	Electronic expansion valve assembly			2	\$89.46	
23	15422300000424	4-ways valve assembly			1	\$110.95	
23.2	15500216000003	4-ways valve			1	\$70.21	
23.3	15500506000007	Muffler			1	\$19.90	
24	11103020000499	Compressor			1	\$385.20	ATM150D23UFZ
26	11201007000246	Discharge temperature sensor assembly			1	\$10.60	
28	17400306000058	Reactor			1	\$63.07	
28	17400306000070	Reactor			1	\$46.16	
29	15500406000010	Copper nut			2	\$3.63	
29	15500406000012	Copper nut			2	\$4.73	
29	15500406000016	Copper nut			2	\$2.20	
40	17402001000008	Crankcase electric heater			1	\$22.70	
41	17402002000043	Electric heater of chassis			1	\$80.24	

This information is to be used by qualified HVAC technicians only and is subject to revision without notice

KMIR218-H221 - Parts List No. P5HM1411

Above prices are subject to S&H charges

DATE 18-03

## KMIR218-H221 - SPARE PARTS LIST

No.	Part Number	Part Name	Specifications	Stock No.	Qty.	Price	Remark
43	12100509000059	Drain pipe			1	\$3.19	
45	15500307000001	DR Module Box Subassembly			2	\$11.20	
99	17401203000802	Compressor wire assembly			1	\$12.40	