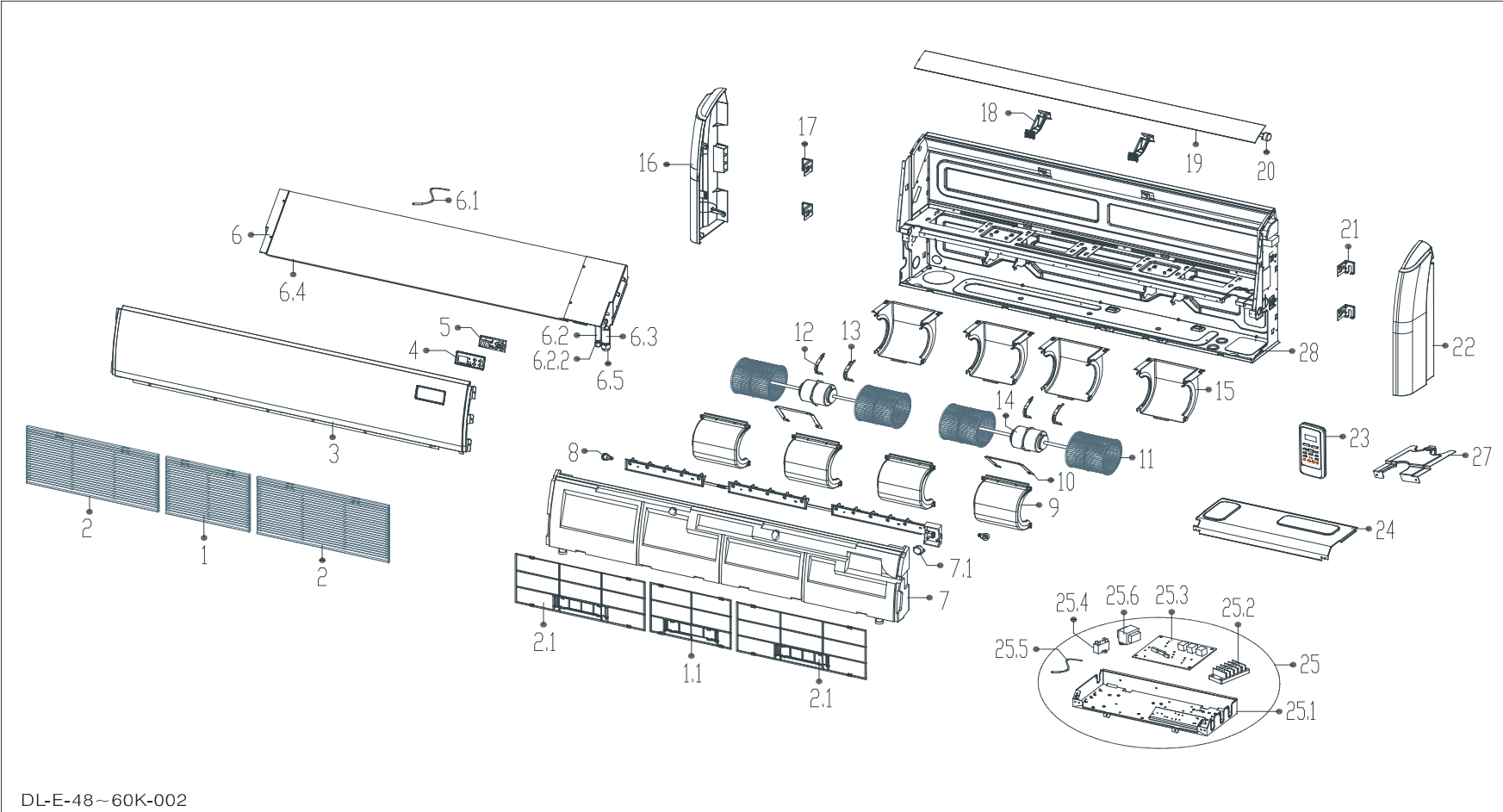


# EXPLODED DIAGRAM - PARTS VIEW

Sale Model: **KFUF060-C2G**

Power Supply: 220-230V~ 60Hz 1Phase



DL-E-48-60K-002

This information is to be used by qualified HVAC technicians only and is subject to revision without notice

KFUF060-C2G - Drawing No. D5UF1708

DATE 17-08

## KFUF060-C2G - SPARE PARTS LIST

No.	Part Number	Part Name	Specifications	Stock No.	Qty.	Price	Remarks
1	12122700000103	Return air grille subassembly			1	\$12.36	
1.1	12100204000719	Air Filter			1	\$5.68	
2	12122700000096	Return air grille subassembly			2	\$16.68	
2.1	12100204000718	Air Filter			1	\$7.26	
3	12222700000093	Top cover			1	\$82.42	
4	12122700000044	Display installation box			1	\$0.40	
5	17122700000005	Display board subassembly			1	\$20.88	
6	15822700000995	Evaporator assembly			1	\$343.87	
6.1	11201007000006	Pipe Temperature Sensor			1	\$6.20	
6.2	15122700000258	Evaporator inlet pipe subassembly			1	\$75.35	
6.2.2	15500210000184	Throttle valve			1	\$57.53	
6.3	15122700000213	Evaporator outlet pipe subassembly			1	\$70.64	
6.4	15822700000578	Evaporator			1	\$262.51	
6.5	15500406000008	Copper nut			1	\$10.68	TLM-E05
7	12822700000009	Water collector subassembly			1	\$133.06	
7.1	11002010000546	Stepper motor			1	\$21.24	SM-35-17-12-46
8	12122000000344	Insulated axis			2	\$0.13	
9	12122700000049	Volute shell (above)			4	\$12.36	
10	12222700000079	Fan motor fixing board			2	\$2.77	
11	12100103000165	plastic fan			4	\$28.84	LX-154*162*12-41J
12	12222500000255	Fan motor axes clamp (right)			2	\$0.92	
13	12222500000253	Fan motor axes clamp (left)			2	\$0.92	

This information is to be used by qualified HVAC technicians only and is subject to revision without notice

KFUF060-C2G - Parts List No. P5UF1708

DATE 17-08

## KFUF060-C2G - SPARE PARTS LIST

No.	Part Number	Part Name	Specifications	Stock No.	Qty.	Price	Remarks
14	11002012009821	Single phase asynchronous motor			2	\$137.17	YKSS-85-4-1L-2
15	12122700000113	Volute shell (below)			4	\$15.36	
16	12122700000087	Cover			1	\$16.56	
17	12222700000018	Right hook			2	\$2.64	
18	12122700000150	Supporter of louver			2	\$1.32	
19	12122700000059	Louver subassembly			1	\$53.14	
20	11002010000057	stepper motor			1	\$43.89	SM-35-17-12-22
21	12222700000016	Left hook			2	\$2.51	
22	12122700000093	Cover			1	\$16.68	
23	17317000A30222	Order remote controller			1	\$42.98	RG57B2/BGE
24	12222700000058	Electronic control box subassembly cover			1	\$15.36	
25	17222700000054	Electronic control box subassembly			1	\$145.01	
25.1	12222700000083	Electronic control box			1	\$19.20	
25.2	17400401000057	Wire joint			1	\$5.28	
25.3	17122700000038	Main control board subassembly			1	\$72.62	
25.4	17400101000019	Capacitor of fan motor			2	\$6.07	2.5UF/450V TUV/VDE
25.5	11201007000073	Room temp sensor assembly			1	\$3.96	
25.6	11203103000065	Linear Transformer			1	\$30.44	
25.6	11203103000160	Linear Transformer			1	\$45.08	
27	12222700000054	display board installation support			1	\$2.24	
28	12222700000184	Chassis Assembly			1	\$219.24	
40	12117000002114	Bracket of remote Controller			1	\$1.32	

This information is to be used by qualified HVAC technicians only and is subject to revision without notice

KFUF060-C2G - Parts List No. P5UF1708

DATE 17-08

## KFUF060-C2G - SPARE PARTS LIST

No.	Part Number	Part Name	Specifications	Stock No.	Qty.	Price	Remarks
53	12100509000059	Drain pipe			1	\$3.56	PJX1.3-1(L2000)
54	12100501000035	Drain Hose			1	\$5.28	

This information is to be used by qualified HVAC technicians only and is subject to revision without notice

KFUF060-C2G - Parts List No. P5UF1708

DATE 17-08