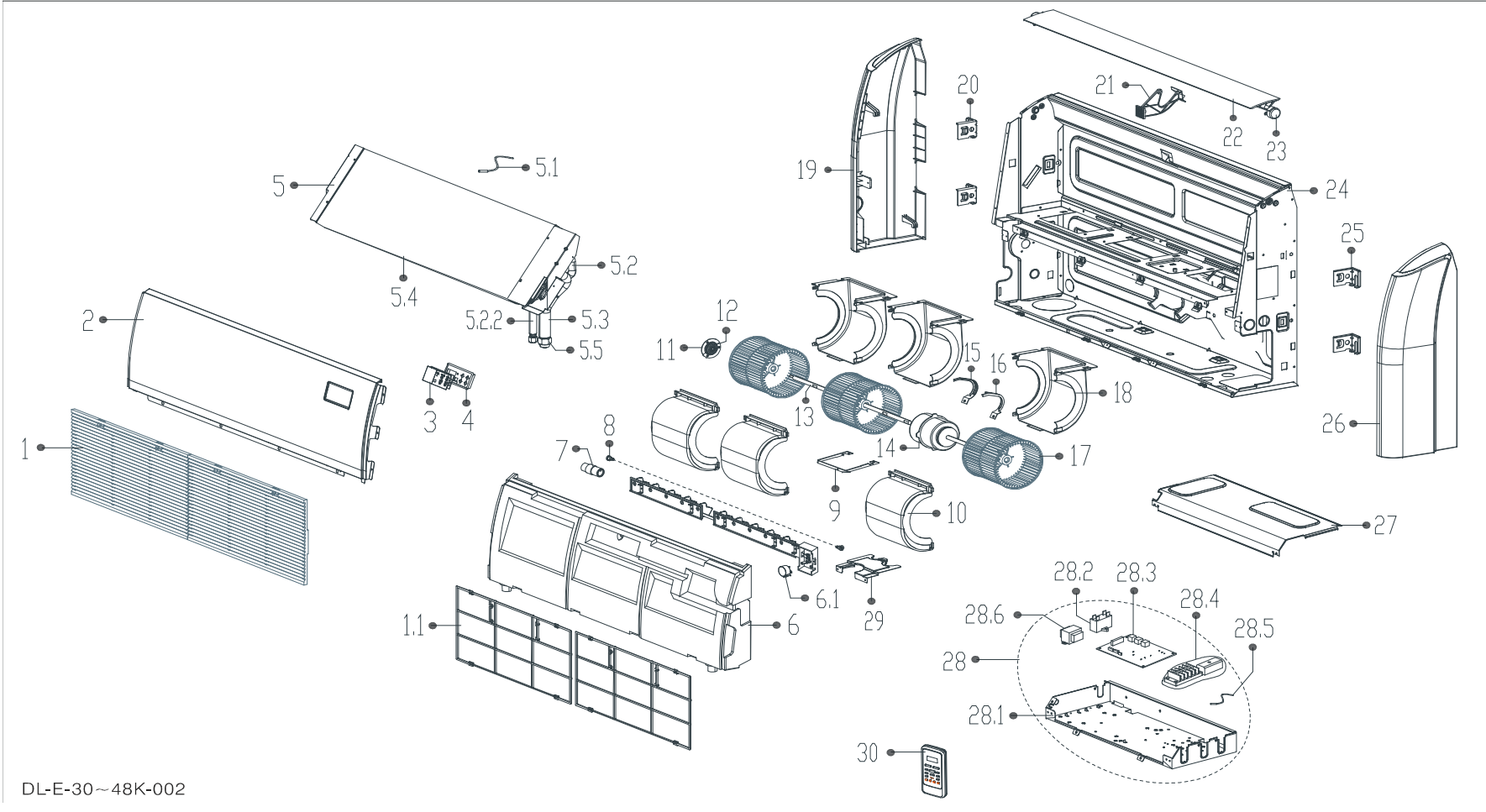


EXPLODED DIAGRAM - PARTS VIEW

Sale Model: KFUF036-C2G

Power Supply: 220-230V~ 60Hz 1Phase



This information is to be used by qualified HVAC technicians only and is subject to revision without notice

KFUF036-C2G - Drawing No. D5UF1707

DATE 17-08

KFUF036-C2G - SPARE PARTS LIST

No.	Part Number	Part Name	Specifications	Stock No.	Qty.	Price	Remarks
1	12122700000096	Return air grille subassembly			2	\$16.68	
1.1	12100204000718	Air Filter			1	\$7.26	
2	12222700000094	Top cover			1	\$78.74	
3	17122700000005	Display board subassembly			1	\$20.88	
4	12122700000044	Display installation box			1	\$0.40	
5	15822700000982	Evaporator assembly			1	\$246.48	
5.1	11201007000006	Pipe Temperature Sensor			1	\$6.20	
5.2	15122700000216	Evaporator inlet pipe subassembly			1	\$90.55	
5.2.2	15500210000109	Throttle valve			1	\$57.53	
5.3	15122700000190	Evaporator outlet pipe subassembly			1	\$77.01	
5.4	15822700000498	Evaporator			1	\$243.97	
5.5	15500406000008	Copper nut			1	\$10.68	
6	12822700000011	Water collector subassembly			1	\$132.13	
6.1	11002010000546	Stepper motor			1	\$21.24	SM-35-17-12-46
7	12923000000004	Coupling			1	\$23.40	
8	12122000000344	Insulated axis			2	\$0.13	
9	12222700000079	Fan motor fixing board			1	\$3.04	
10	12122700000049	Volute shell (above)			3	\$12.36	
11	122220000003769	Supporting board			1	\$0.79	
12	12622000000013	Bearing base			1	\$1.19	
13	12922700000004	Connecting shaft			1	\$27.59	
14	11002012009822	Single phase asynchronous motor			1	\$216.43	YKSS-115-4-1-2

This information is to be used by qualified HVAC technicians only and is subject to revision without notice

KFUF036-C2G - Parts List No. P5UF1707

Above prices are subject to S&H charges

DATE 17-08

KFUF036-C2G - SPARE PARTS LIST

No.	Part Number	Part Name	Specifications	Stock No.	Qty.	Price	Remarks
15	12222500000255	Fan motor axes clamp (right)			1	\$0.92	
16	12222500000253	Fan motor axes clamp (left)			1	\$0.92	
17	12100103000165	Plastic fan			3	\$29.41	
18	12122700000113	Volute shell (below)			3	\$15.36	
19	12122700000087	Cover			1	\$16.56	
20	12222700000018	Right hook			2	\$2.64	
21	12122700000150	Supporter of louver			1	\$1.32	
22	12122700000058	Louver subassembly			1	\$42.84	
23	11002010000057	Stepper motor			1	\$43.89	SM-35-17-12-22
24	12222700000185	Chassis Assembly			1	\$171.58	
25	12222700000016	Left hook			2	\$2.51	
26	12122700000093	Cover			1	\$16.68	
27	12222700000058	Electronic control box subassembly cover			1	\$15.36	
28	17222700000017	Electronic control box subassembly			1	\$134.42	
28.1	12222700000083	Electronic control box			1	\$19.20	
28.2	17400101000040	Capacitor of fan motor			1	\$10.30	5uF/450V(2000h)
28.3	17122700000038	Main control board subassembly			1	\$72.62	
28.4	17400401000057	Wire joint			1	\$5.28	
28.5	11201007000073	Room temp sensor assembly			1	\$3.96	
28.6	11203103000065	Linear Transformer			1	\$30.44	
28.6	11203103000160	Linear Transformer			1	\$45.08	
29	12222700000054	Display board installation support			1	\$2.24	

This information is to be used by qualified HVAC technicians only and is subject to revision without notice

KFUF036-C2G - Parts List No. P5UF1707

Above prices are subject to S&H charges

DATE 17-08

KFUF036-C2G - SPARE PARTS LIST

No.	Part Number	Part Name	Specifications	Stock No.	Qty.	Price	Remarks
30	17317000A30222	Order remote controller			1	\$42.98	RG57B2/BGE
33	15500220A00002	Throttle valve			1	\$10.92	FX-062(H)
33	15500220A00012	Throttle valve			1	\$10.92	FX-070(HY)
33	15500220A00023	Throttle valve			1	\$10.92	FX-060(H)
40	12117000002114	Remote control bracket			1	\$1.32	
53	12100509000059	Drain pipe			1	\$3.56	
54	12100501000035	Drain Hose			1	\$5.28	

This information is to be used by qualified HVAC technicians only and is subject to revision without notice

KFUF036-C2G - Parts List No. P5UF1707

Above prices are subject to S&H charges

DATE 17-08