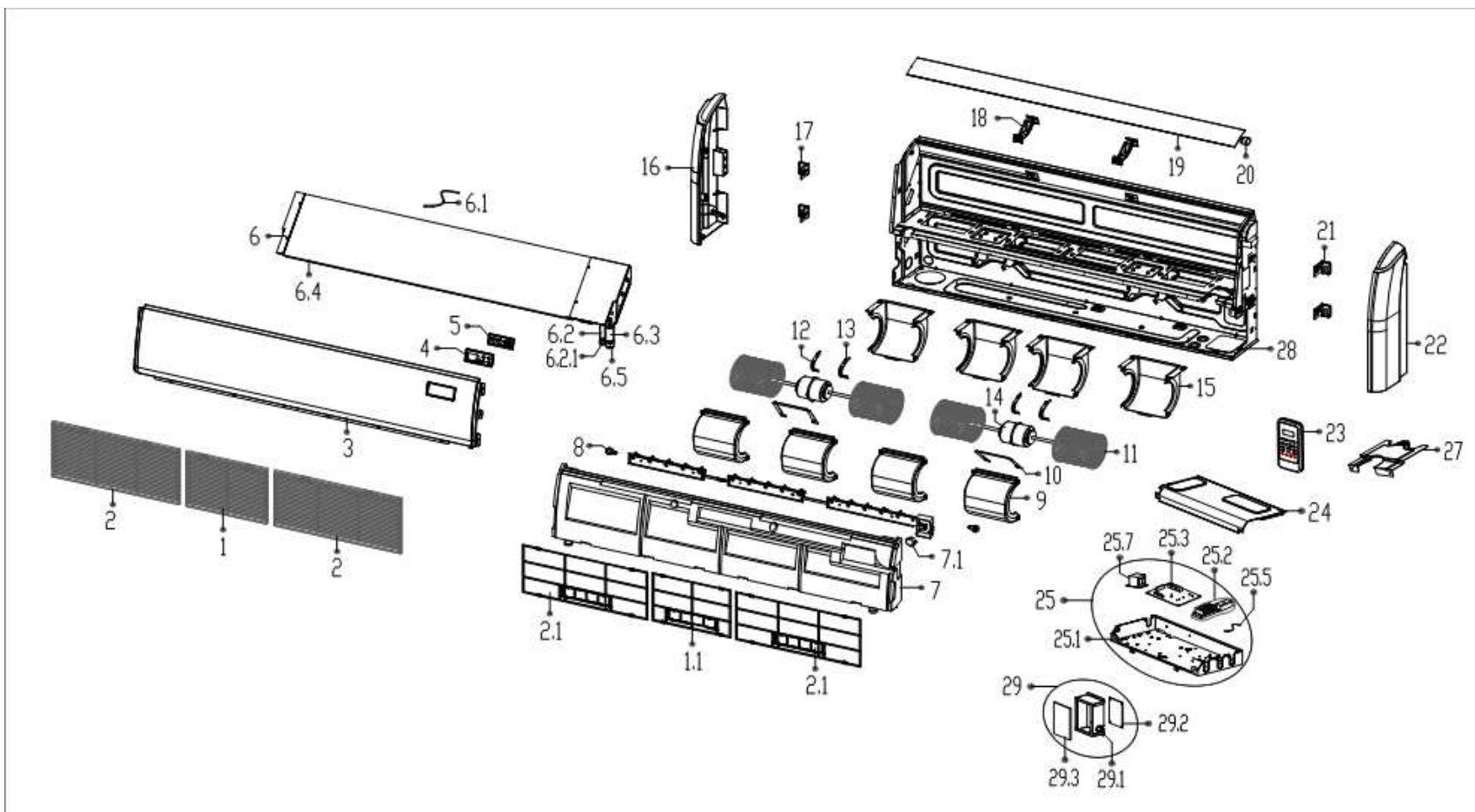


EXPLODED DIAGRAM - PARTS VIEW

Sales Model: **KFUF060-H2G1**

Power Supply: 208-230V/1ph/60Hz



This information is to be used by qualified HVAC technicians only and is subject to revision without notice

KFUF060-H2G1 - Drawing No. D2UF1712

Date 17-12

KFUF060-H2G1 - SPARE PARTS LIST

No.	Part Number	Part Name	Specifications	Stock No.	Qty.	Price	Remarks
1	12122700000103	Grille			1	\$17.70	
1.1	12100204000719	Air Filter			1	\$6.60	
2	12122700000096	Grille			2	\$24.20	
2.1	12100204000718	Air Filter			1	\$8.25	
3	12222700000093	Top cover			1	\$86.80	
4	12122700000044	Display installation box			1	\$0.77	
5	17122700000005	Display board subassembly			1	\$24.32	
6	15822700A02395	Evaporator assembly			1	\$427.04	
6.1	11201007000006	Pipe Temperature Sensor			1	\$6.82	
6.2	15122700000396	Evaporator inlet pipe subassembly			1	\$59.59	
6.2.1	15500406000010	Copper nut			1	\$6.16	TLM-B02
6.3	15122700000213	Evaporator outlet pipe subassembly			1	\$90.72	
6.4	15822700A00716	Evaporator			1	\$359.87	
7	12822700000009	Water collector subassembly			1	\$162.00	
7.1	11002010000546	Stepper motor			1	\$24.10	SM-35-17-12-46
8	12122000000344	Insulated axis			2	\$0.11	
9	12122700000049	Volute shell (above)			4	\$13.80	
10	12222300000230	Fan motor fixing board			2	\$3.74	
11	12100103000165	plastic fan			4	\$37.43	LX-154*162*12-41J
12	12222500000255	Fan motor axes clamp (right)			2	\$1.10	
13	12222500000253	Fan motor axes clamp (left)			2	\$1.10	
14	11002015002521	Brushless DC Motor			2	\$254.48	ZKFN-160-8-1-2
15	12122700000113	Volute shell (below)			4	\$17.30	
16	12122700000087	Cover			1	\$25.94	
17	12222700000018	Right hook			2	\$3.41	

This information is to be used by qualified HVAC technicians only and is subject to revision without notice

KFUF060-H2G1 - Parts List No. P2UF1712

Above prices are subject to S&H charges

Date 17-12

KFUF060-H2G1 - SPARE PARTS LIST

No.	Part Number	Part Name	Specifications	Stock No.	Qty.	Price	Remarks
18	12122700000150	Supporter of louver			2	\$3.41	
19	12122700000059	Louver subassembly			1	\$56.61	
20	11002010000057	stepper motor			1	\$48.71	SM-35-17-12-22
21	12222700000016	Left hook			2	\$3.30	
22	12122700000093	Cover			1	\$26.22	
23	17317000A05999	Remote controller			1	\$45.31	RG57A4/BGEFU1
24	12222700000058	Cover of electronic control box sub-assy			1	\$20.20	
25	17222700001416	Electronic control box subassembly			1	\$241.28	
25.1	12222700000083	Electronic control box			1	\$23.85	
25.2	17400401000075	Terminal			1	\$11.10	
25.2	17400401000094	Terminal			1	\$8.25	
25.3	17122700001435	Main control board subassembly			1	\$237.66	
25.5	11201007000073	Room Temperature Sensor			1	\$4.62	
25.7	17400306000070	Reactor			1	\$60.35	
27	12222700000054	display board installation support			1	\$2.97	
28	12222700000228	Chassis assembly			1	\$208.71	
29	17222700000120	Electronic control box subassembly			2	\$163.62	
29.1	12223000000052	Electronic control box			1	\$6.16	
29.2	17122000008554	Inverter module subassembly			1	\$143.46	
29.3	11203803000154	Radiator			1	\$26.22	
40	12117000002114	Bracket of remote Controller			1	\$3.30	

This information is to be used by qualified HVAC technicians only and is subject to revision without notice

KFUF060-H2G1 - Parts List No. P2UF1712

Above prices are subject to S&H charges

Date 17-12