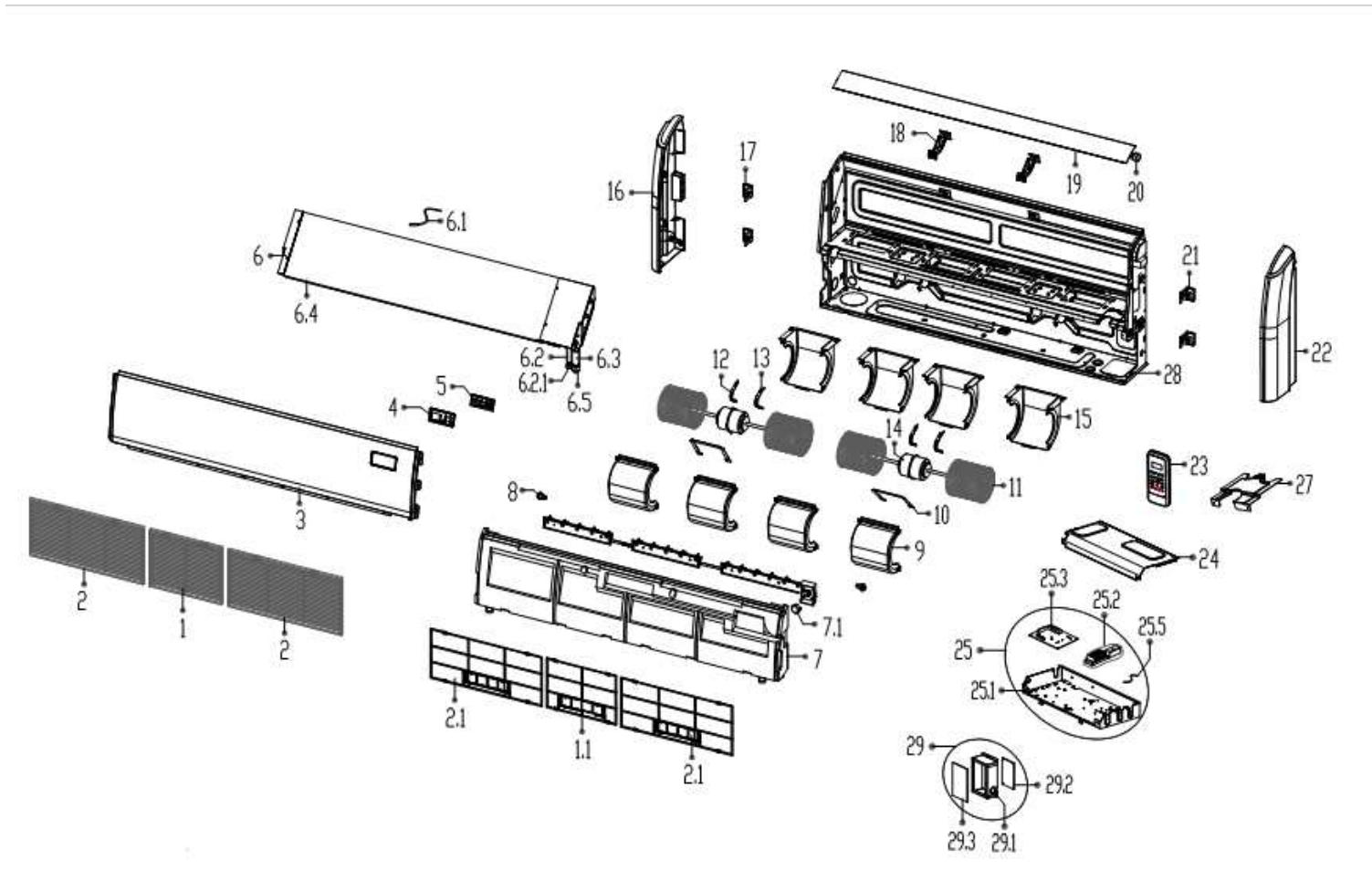


EXPLODED DIAGRAM - PARTS VIEW

Sales Model: **KFUF048-H2G1**

Power Supply: 208-230V/1ph/60Hz



This information is to be used by qualified HVAC technicians only and is subject to revision without notice

KFUF048-H2G1 - Drawing No. D2UF1607

Date 16-06

KFUF048-H2G1 - SPARE PARTS LIST

No.	Part Number	Part Name	Specifications	Stock No.	Qty.	Price	Remarks
1	12122700000103	Air inlet grille assembly II			1	\$10.30	
1.1	12100204000719	Air filter I			1	\$4.73	
2	12122700000096	Air inlet grille assembly I			2	\$13.90	
2.1	12100204000718	Air filter II			1	\$6.05	
3	12222700000093	Top cover assembly			1	\$68.68	
4	12122700000044	Display installation box			1	\$0.33	
5	17122700000005	Display board assembly			1	\$19.00	
6	15822700A00011	Evaporator assembly			1	\$248.90	
6.1	11201007000006	Pipe temperature sensor assembly			1	\$5.17	
6.1	11201007000266	Pipe temperature sensor assembly			1	\$6.82	
6.2	15122700000414	Input pipe assembly			1	\$80.92	
6.2.1	15500406000010	Copper nut			1	\$3.63	TLM-B02
6.3	15122700000186	Output pipe assembly			1	\$67.32	
6.4	15822700000197	Evaporator			1	\$235.38	
7	12822700000009	Water collector			1	\$129.36	
7.1	11002010000546	Louver motor			1	\$17.70	SM-35-17-12-46
8	12122000000344	Insulated axis			2	\$0.11	
9	12122700000049	Volute shell (above)			4	\$10.30	
10	12222300000230	Fan motor fixing board			2	\$2.31	
11	12100103000165	Centrifugal fan			4	\$24.51	LX-154*162*12-41J
12	12222500000255	Fan motor axes clamp (right)			2	\$0.77	
13	12222500000253	Fan motor axes clamp (left)			2	\$0.77	
14	11002015000344	Asynchronous motor			2	\$182.34	ZKFN-90-8-1
15	12122700000113	Volute shell (below)			4	\$12.80	

This information is to be used by qualified HVAC technicians only and is subject to revision without notice

KFUF048-H2G1 - Parts List No.P2UF1607

Above prices are subject to S&H charges

Date 16-06

KFUF048-H2G1 - SPARE PARTS LIST

No.	Part Number	Part Name	Specifications	Stock No.	Qty.	Price	Remarks
16	12122700000087	Right cover			1	\$13.80	
17	12222700000018	Right hook			2	\$2.20	
18	12122700000150	Supporter of louver			2	\$1.10	
19	12122700000059	Louver			1	\$44.29	
20	11002010000057	Louver motor			1	\$36.58	SM-35-17-12-22
21	12222700000016	Left hook			2	\$2.09	
22	12122700000093	Left cover			1	\$13.90	
23	17317000A29040	Remote controller			1	\$36.39	RG57A4/BGEFU1
24	12222700000058	Cover of electronic control box			1	\$12.80	
25	17222700A01432	Electronic control box assembly			1	\$219.66	
25.1	12222700000083	Electronic control box			1	\$16.00	
25.2	17400401000006	Wire joint			1	\$8.80	
25.2	17400401000094	Wire joint			1	\$5.83	
25.3	17122700000389	Main control board assembly			1	\$193.32	
25.5	11201007000073	Ambient temperature sensor assembly			1	\$3.30	
27	12222700000054	Pipe clamp board			1	\$1.87	
28	12222700000228	Chassis assembly			1	\$187.74	
29	17222700000162	Electronic control box assembly			2	\$134.61	
29.1	12223000000052	Electronic control box			1	\$3.96	
29.2	17122000008498	Inverter control board assembly			1	\$124.67	
29.3	11203803000154	Radiator			1	\$18.50	

This information is to be used by qualified HVAC technicians only and is subject to revision without notice

KFUF048-H2G1 - Parts List No.P2UF1607

Above prices are subject to S&H charges

Date 16-06