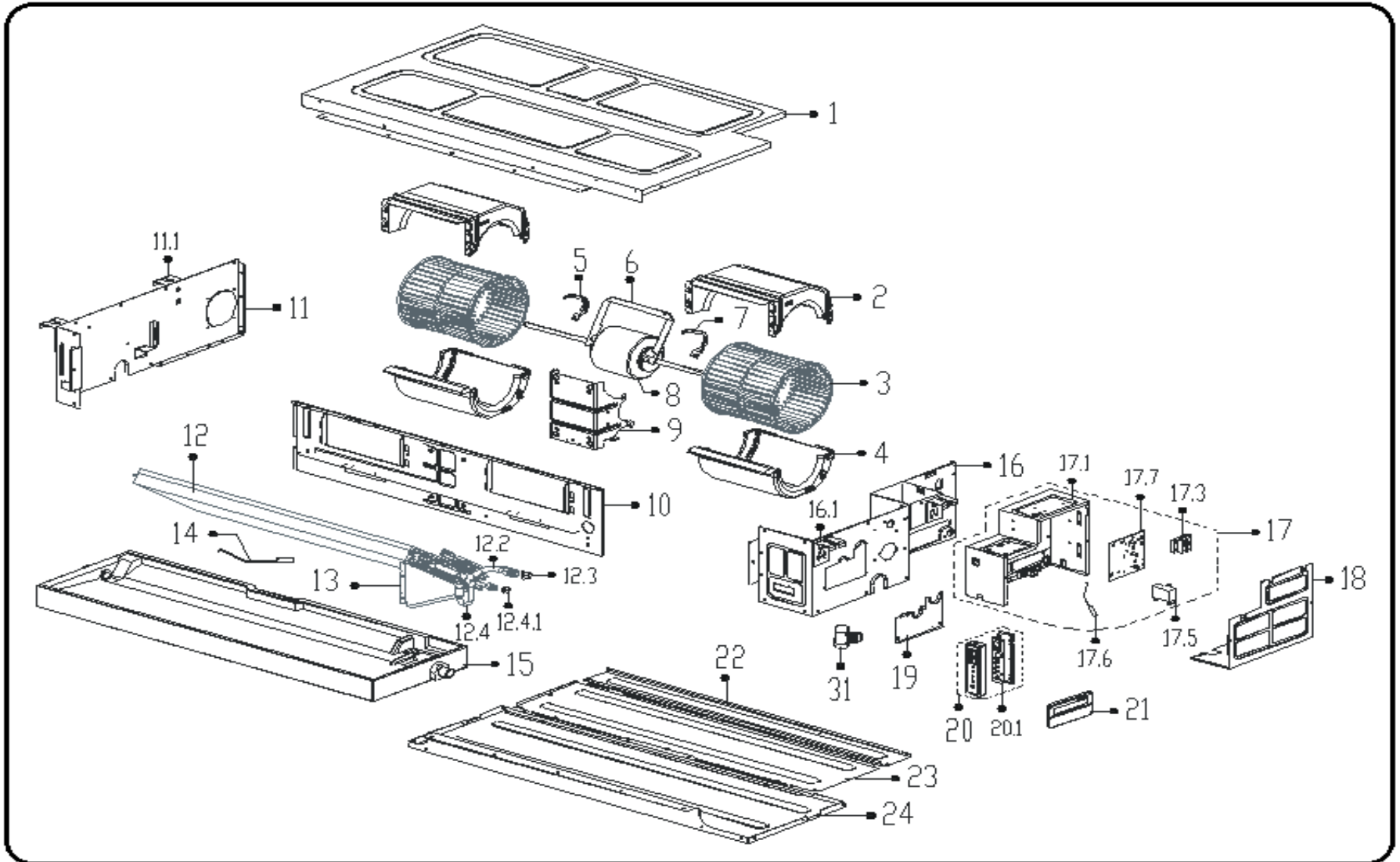


EXPLODED DIAGRAM - PARTS VIEW

Model : KDIM018-H2
Power Supply : 208-230V~ 60Hz 1Phase

M45A



This information is to be used by qualify AC technicians only

KDIM1816- Drawing No. D2ID16181301

Above information subject to revision without notice

DATE 13-01

SPARE PARTS LIST

Item No.	Part No.	Part Name	Specifications	Stock No.	Qty	Price	Remarks
1	201270290088	Chassis assembly		M45A0088	1	\$ 70.13	
2	201170290008	Up volute shell		M45A0008	2	\$ 14.25	
3	20118C000000	Centrifugal fan		M45A0000	2	\$ 46.31	
4	201170290007	Below volute shell		M45A0007	2	\$ 14.25	
5	201280200005	Fan motor axes clamp (left)		M45A0005	1	\$ 3.14	
6	201244590001	Fan motor fixing board		M45A0001	1	\$ 6.27	
7	201280200006	Fan motor axes clamp (right)		M45A0006	1	\$ 3.14	
8	202400401012	Asynchronous motor		M45A1012	1	\$225.09	
9	201270290028	Supporter of fan motor		M45A0028	1	\$ 27.22	
10	201270290033	20ddle beam assembly		M45A0033	1	\$ 51.13	
11	201270290091	Left clapboard assembly		M45A0091	1	\$ 43.86	
11.1	201270890021	Hook		M45A0021	2	\$ -	
12	201570290030	Evaporator assembly		M45A0030	1	\$284.10	
12.1	202440500004	Pipe temperature sensor assembly		M45A0004	1	\$ 6.27	
12.2	201670290067	Output pipe assembly		M45A0067	1	\$ 46.28	
12.3	201600320002	Copper nut		M45A0002	1	\$ 9.41	
12.4	201670290051	Input pipe assembly		M45A0051	1	\$ 55.97	
12.4.1	201600320000	Copper nut		M45A0000	1	\$ 3.14	
13	201270290034	Evaporator right support board assembly		M45A0034	1	\$ 9.41	
15	202270290004	Water collector		M45A0004	1	\$ -	
16	201270290089	Right clapboard assembly		M45A0089	1	\$ 55.97	
16.1	201270890021	Hook		M45A0021	2	\$ -	

This information is to be used by qualify technicians only

KDIM1816- Part list No. P2ID16181301

Above prices, numbers, specifications subject to revision without notice

Drawing No. D2ID16181301

Above prices are subject S & H charges

DATE 13-01

SPARE PARTS LIST

Item No.	Part No.	Part Name	Specifications	Stock No.	Qty	Price	Remarks
17	203370290180	Electronic control box assembly		M45A0180	1	\$ 224.24	
17.1	201270290011	Electronic control box		M45A0011	1	\$ 35.34	
17.3	202301420101	Wire joint		M45A0101	1	\$ 9.41	
17.5	202401100354	Capacitor		M45A0354	1	\$ 9.41	
17.6	202440120100	Ambient temperature sensor assembly		M45A0100	1	\$ 3.14	
17.7	201370290033	Main control board assembly		M45A0033	1	\$ 181.71	
18	201270290081	Cover of electronic control box		M45A0081	1	\$ 3.14	
19	201270290082	Pipe clamp board assembly		M45A0082	1	\$ 3.14	
20	203370190008	Display box assembly		M45A0008	1	\$ 46.31	
20.1	201370290012	Display board assembly		M45A0012	1	\$ 40.76	
21	203355190030	Wired controller		M45A0030	1	\$ 108.26	
22	201270290086	Rear beam		M45A0086	1	\$ 20.10	
23	201270290087	Rear cover assembly		M45A0087	1	\$ 32.63	
24	201270290078	Top cover assembly		M45A0078	1	\$ 58.40	
31	201650290241	Transfer connecter		M45A0241	1	\$ 20.10	

This information is to be used by qualify technicians only

KDIM1816- Part list No. P2ID16181301

Above prices, numbers, specifications subject to revision without notice

Drawing No. D2ID16181301

Above prices are subject S & H charges

DATE 13-01