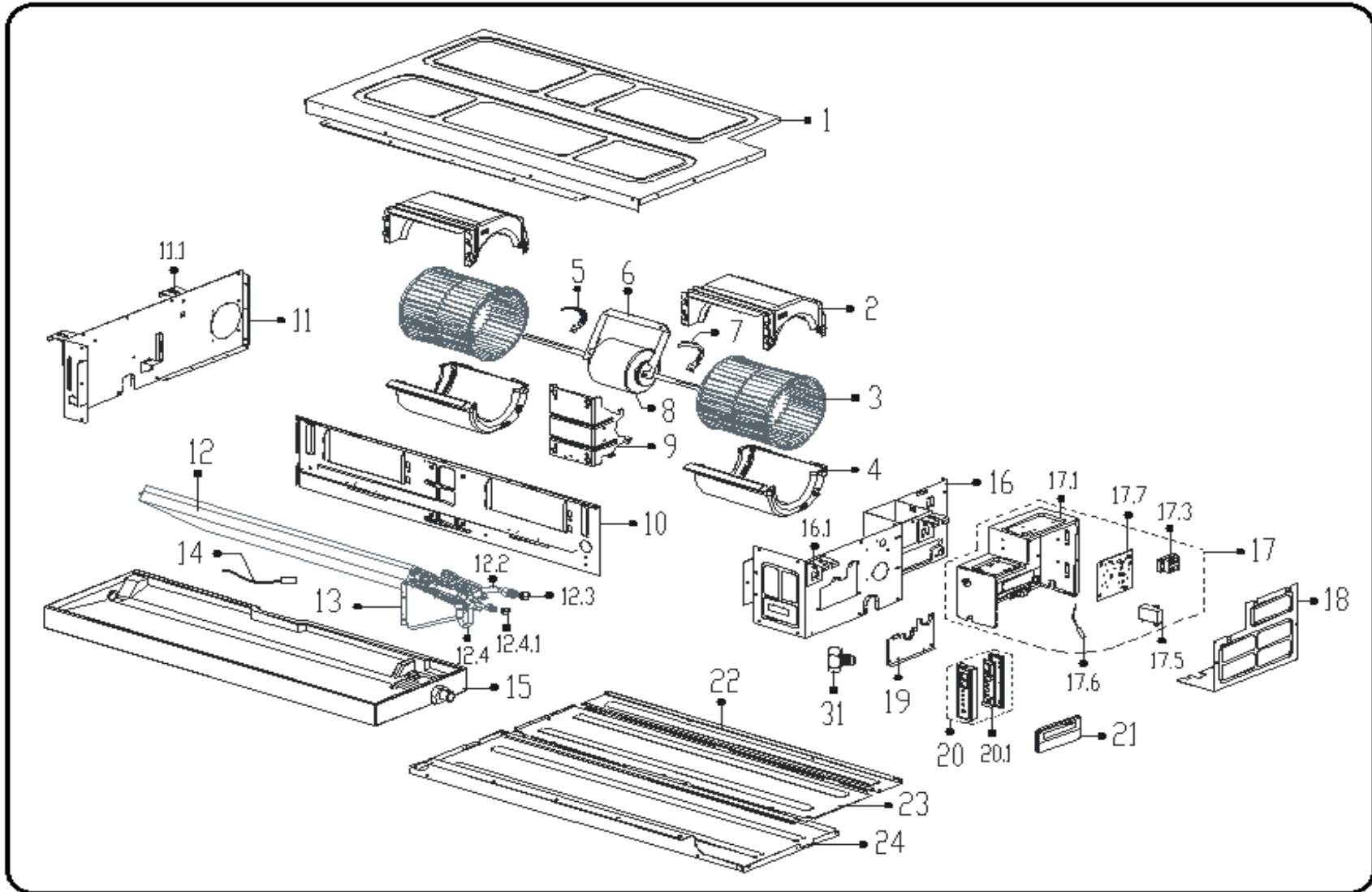


EXPLODED DIAGRAM - PARTS VIEW

Model : KDIM012-H2
Power Supply : 208-230V~ 60Hz 1Phase

M44A



This information is to be used by qualify AC technicians only

KDIM1216- Drawing No. D2ID16121301

Above information subject to revision without notice

DATE 13-01-18

SPARE PART LIST

Item No.	Part No.	Part Name	Specifications	Stock No.	Qty	Price	Remarks
1	201285190007	Chassis assembly		M44A0007	1	\$ 80.33	
2	201185190001	Up volute shell		M44A0001	2		
3	201100100809	Centrifugal fan		M44A0809	2		
4	201185190002	Below volute shell		M44A0002	2		
5	201280200005	Fan motor axes clamp (left)		M44A0005	1	\$ 3.14	
6	201285090016	Fan motor fixing board		M44A0016	1	\$ 9.41	
7	201280200006	Fan motor axes clamp (right)		M44A0006	1	\$ 3.14	
8	202400400336	Asynchronous motor		M44A0336	1	\$ 227.70	
9	201270290028	Supporter of fan motor		M44A0028	1	\$ 27.22	
10	201285190002	Middle beam assembly		M44A0002	1	\$ 38.05	
11	201270290091	Left clapboard assembly		M44A0091	1	\$ 43.86	
11.1	201270890021	Hook		M44A0021	2		
12	201570190006	Evaporator assembly		M44A0006	1	\$ 254.85	
12.2	201670190023	Output pipe assembly		M44A0023	1	\$ 43.46	
12.3	201600320002	Copper nut		M44A0002	1	\$ 9.41	
12.4	201670190020	Input pipe assembly		M44A0020	1	\$ 63.24	
12.4.1	201600320000	Copper nut		M44A0000	1	\$ 3.14	
13	201270290034	Evaporator right support board assembly		M44A0034	1	\$ 9.41	
14	202440500004	Pipe temperature sensor assembly		M44A0004	1	\$ 6.27	
15	202285190003	Water collector		M44A0003	1	\$ 111.71	
16	201270290089	Right clapboard assembly		M44A0089	1	\$ 55.97	
16.1	201270890021	Hook		M44A0021	2	\$ -	

This information is to be used by qualify technicians only

KDIM1216- Part list No. P2ID16121301

Above prices, numbers, specifications subject to revision without notice

Drawing No. D2ID16121301

Above prices are subject S & H charges

DATE 13-01

SPARE PART LIST

Item No.	Part No.	Part Name	Specifications	Stock No.	Qty	Price	Remarks
17	203370190014	Electronic control box assembly		M44A0014	1	\$ 247.73	
17.1	201270290011	Electronic control box		M44A0011	1	\$ 35.34	
17.3	202301420101	Wire joint		M44A0101	1	\$ 9.41	
17.5	202401190048	Capacitor		M44A0048	1		
17.6	202440120100	Ambient temperature sensor assembly		M44A0100	1	\$ 3.14	
17.7	201370290033	Main control board assembly		M44A0033	1	\$ 201.90	
18	201270290081	Cover of electronic control box		M44A0081	1	\$ 3.14	
19	201270290082	Pipe clamp board assembly		M44A0082	1	\$ 3.14	
20	203370190008	Display box assembly		M44A0008	1	\$ 46.31	
20.1	201370290012	Display board assembly		M44A0012	1	\$ 40.76	
21	203355190030	Wired controller		M44A0030	1	\$ 115.99	
22	201285190003	Rear beam		M44A0003	1	\$ 17.25	
23	201285190004	Rear cover assembly		M44A0004	1	\$ 27.22	
24	201285190008	Top cover assembly		M44A0008	1	\$ 46.31	
31	201650290241	Transfer connector		M44A0241	1	\$ 20.10	

This information is to be used by qualify technicians only

KDIM1216- Part list No. P2ID16121301

Above prices, numbers, specifications subject to revision without notice

Drawing No. D2ID16121301

Above prices are subject S & H charges

DATE 13-01-18