

GENERAL SPECIFICATIONS

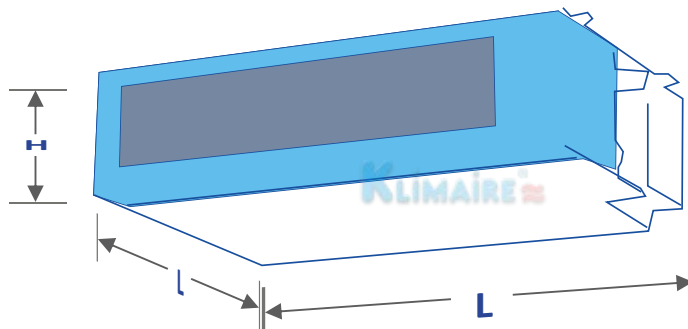


Light Commercial Series

KDIM Indoor Units

Ducted Recessed

Klima Model No.			KDIM012-H2	KDIM018-H2	KDIM024-H2
Power supply		V-ph-Hz	208~230-1-60	208~230-1-60	220-1-60
Cooling	Capacity	Btu/h	12.000	18.000	24.000
	SEER		15,5	15,5	16,5
Heating	Capacity	Btu/h	12.200	18.600	25.000
	HSPF		9,3	8,6	8,2
Qty			1	1	1
Indoor fan motor	Input	W	71/48.8/36.7	119/56/43	90
	Capacitor	uF	2UF/450V	3.5UF/450V	\
	Speed(Hi/Med/Lo)	rpm	1255/1005/850	1170/790/690	1000±20
Indoor external static pressure (Hi)		Pa	40	70	70
Indoor noise level (Hi/Med/Lo)		dB(A)	38/36/32	42/36/32	49/47/44
Indoor unit	Dimension (WxDxH)	in	27"-9/16 x 25" x 8"-17/64	36"-7/32 x 25" x 8"-17/64	36"-7/32 x 25" x 10"-5/8
	Packing(WxDxH)	in	36" x 25"-25/32 x 11"-3/8	44"-11/16 x 25"-25/32 x 11"-3/8	44"-11/16 x 25"-25/32 x 13"-25/32
	Net/Gross weight	lb	44 / 55	51 / 64	66 / 77
Design pressure		psig	340	340	340
Drainage water pipe diameter		in	1/2	1/2	1/2
Refrigerant piping	Liquid side/ Gas side	in	1/4" / 1/2"	3/8" / 5/8"	3/8" / 5/8"
Controller			KJR-10B/DP(T)-F	KJR-10B/DP(T)-F	KJR-10B/DP(T)-F
Operation temperature	Cooling	°F	?63	?63	?63
	Heating	°F	?86	?86	?86



Remarks: 1. The above design and specifications are subject to change without prior notice for product improvement.
 2. The values given in the table for the noise level reflect the levels in anechoic chamber.