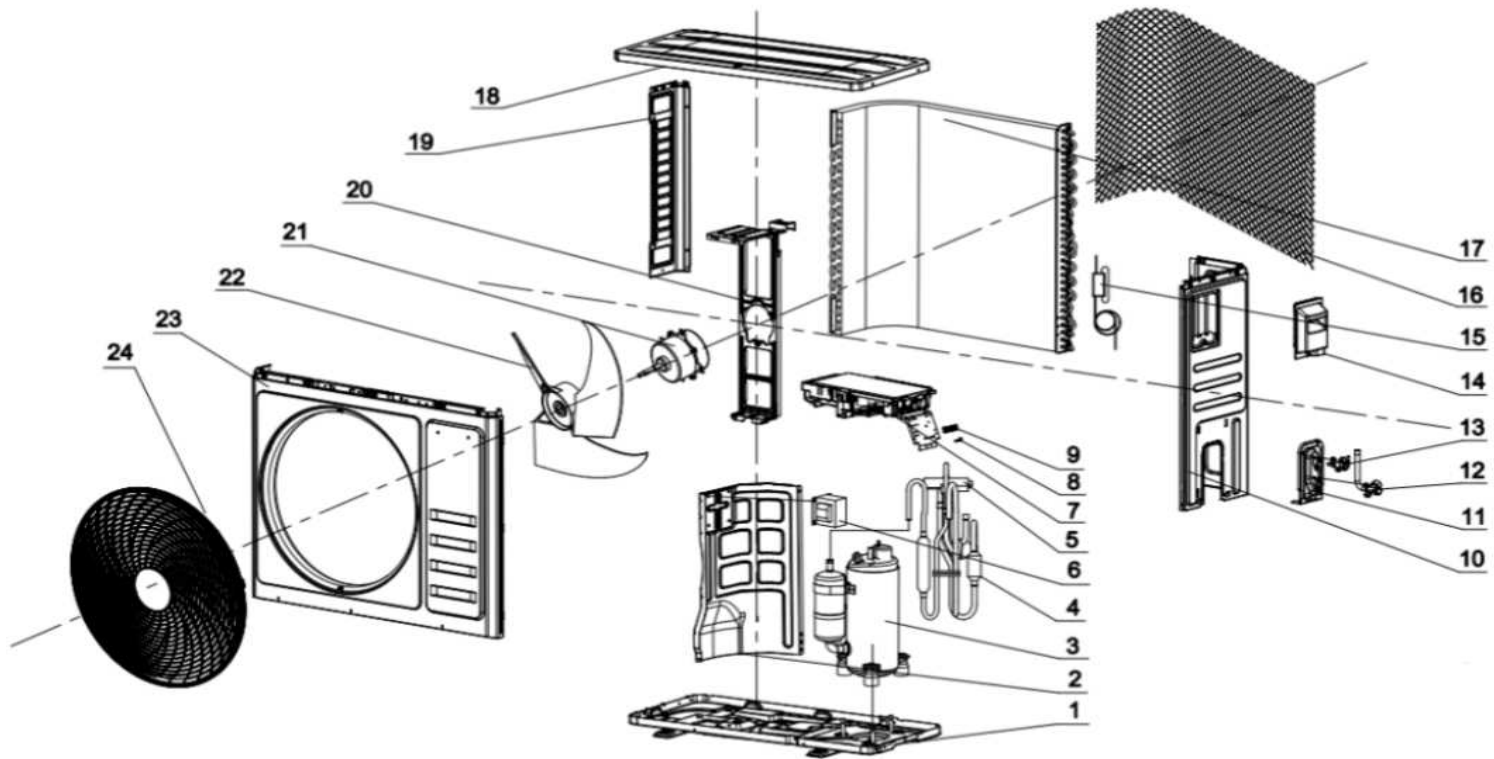


Exploded Diagram - Parts List

Sales Model: KOIE18H2-31X

Voltage: 208-230V / 1ph / 60Hz



This information is to be used by qualified HVAC technicians only and is subject to revision without notice

KOIE18H2-31X - Drawing No. D5IE2526

DATE: 25-08

KOIE18H2-31X - SPARE PARTS LIST

No.	Part Number	Part Name	Specifications	Stock No.	Qty.	Price	Remarks
1	41202-000756	Base			1	\$64.20	
2	41208-001033	Partition plate			1	\$28.05	
3	92014-000768	Compressor			1	\$326.87	
4	92007-019599	4-way valve assembly			1	\$199.50	
5	92008-000245	4-way valve			1	\$97.40	
6	/	Reactor			/	/	
7	31201-003879	Outdoor control assembly			1	\$331.86	
8	42001-000038	Clamp			1	\$1.05	
	/	Clamp			1	\$0.00	
9	11304-100117	Terminal			1	\$18.24	
10	41205-001094	Right Pate			1	\$29.04	
11	41204-000018	Valve supporter			1	\$12.90	
12	92007-001041	Three-way Valve			1	\$35.75	
13	92007-007226	Two-way Valve			1	\$28.93	
14	41201-000106	Electricl Box Cover			1	\$20.76	
15	92007-019812	Capillary assembly			1	\$14.16	
16	42011-000501	Back Grille			1	\$30.80	
17	92011-009092	Condenser			1	\$240.54	
18	41207-000040	Top Cover			1	\$38.94	
19	41205-000131	Support			1	\$12.30	
20	41203-000522	Outdoor Motor Supporter			1	\$28.20	
21	22001-000555	Outdoor Motor			1	\$103.53	
22	42004-000104	Propeller Fan			1	\$49.94	
23	41206-000294	Front Plate			1	\$60.50	
24	42011-000594	Fan guard			1	\$77.70	
28	10104-100056	Sensor			1	\$26.16	Not shown

This information is to be used by qualified HVAC technicians only and is subject to revision without notice

KOIE18H2-31X Parts List No. P2IE2526

Above prices are subject to S&H charges

DATE 25-08

KOIE18H2-31X - SPARE PARTS LIST

No.	Part Number	Part Name	Specifications	Stock No.	Qty.	Price	Remarks
29	92009-000186	Connecting pipe assembly			1	\$179.93	Not shown
30	92009-000223	Connecting pipe assembly			1	\$121.13	Not shown

This information is to be used by qualified HVAC technicians only and is subject to revision without notice

KOIE18H2-31X Parts List No. P2IE2526

Above prices are subject to S&H charges

DATE 25-08