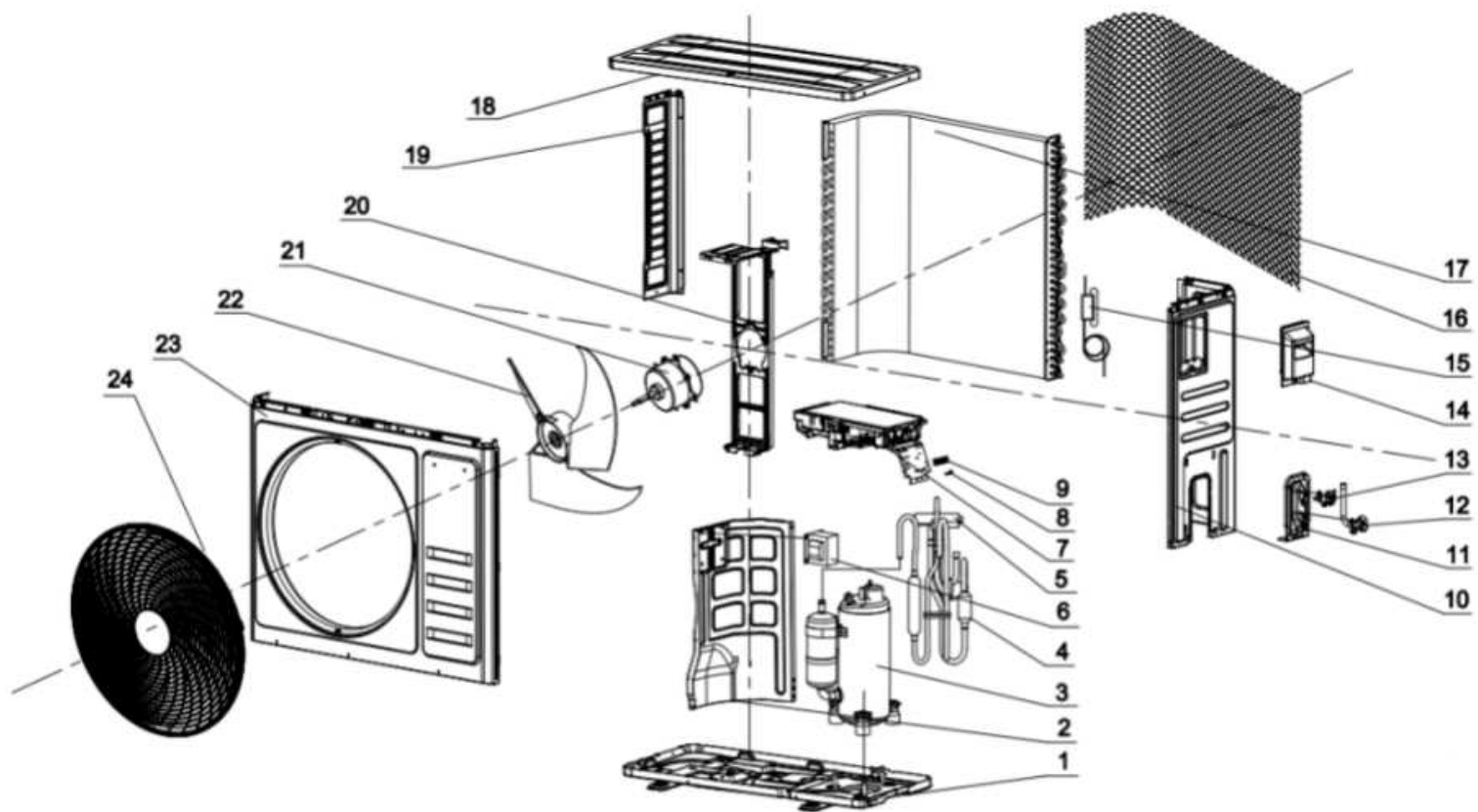


# Exploded Diagram - Parts List

Sales Model: KOIE12H1-31X

Voltage: 115V / 60Hz



This information is to be used by qualified HVAC technicians only and is subject to revision without notice

KOIE12H1-31X - Drawing No. D5IE2521

DATE: 25-08

## KOIE12H1-31X - SPARE PARTS LIST

No.	Part Number	Part Name	Specifications	Stock No.	Qty.	Price	Remarks
1	41202-000610	Base			1	\$61.90	
2	41208-001082	Partition plate			1	\$18.84	
3	92014-000950	Compressor			1	\$311.99	
4	92007-019751	4-way valve assembly			1	\$172.65	
5	92008-000208	4-way valve			1	\$91.80	
6	/	Reactor			/	—	
7	31201-003770	Outdoor control assembly			1	\$263.88	
8	42001-000038	Clamp			1	\$1.05	
9	11304-100116	Terminal			1	\$17.28	
10	41205-000634	Right Pate			1	\$34.76	
11	41204-000018	Valve supporter			1	\$12.90	
12	92007-001041	Three-way Valve			1	\$35.75	
13	92007-007317	Two-way Valve			1	\$24.24	
14	41201-000106	Electricl Box Cover			1	\$20.76	
15	92007-019735	Capillary assembly			1	\$15.72	
16	42011-000184	Back Grille			1	\$27.96	
17	92011-007726	Condenser			1	\$242.52	
18	41207-000029	Top Cover			1	\$40.15	
19	41205-000133	Support			1	\$13.50	
20	41203-000055	Outdoor Motor Supporter			1	\$19.56	
21	22001-000555	Outdoor Motor			1	\$103.53	
22	42004-000107	Propeller Fan			1	\$27.94	
23	41206-000052	Front Plate			1	\$56.90	
24	42011-000038	Fan guard			1	\$28.60	
25	41204-000051	Valve cover			1	\$13.35	

This information is to be used by qualified HVAC technicians only and is subject to revision without notice

KOIE12H1-31X Parts List No. P2IE2521

Above prices are subject to S&H charges

DATE 25-08

## KOIE12H1-31X - SPARE PARTS LIST

No.	Part Number	Part Name	Specifications	Stock No.	Qty.	Price	Remarks
29	92009-000186	Connecting pipe assembly			1	\$179.93	
30	92009-000223	Connecting pipe assembly			1	\$121.13	
32	10104-100055	Sensor			1	\$20.28	

This information is to be used by qualified HVAC technicians only and is subject to revision without notice

KOIE12H1-31X Parts List No. P2IE2521

Above prices are subject to S&H charges

DATE 25-08