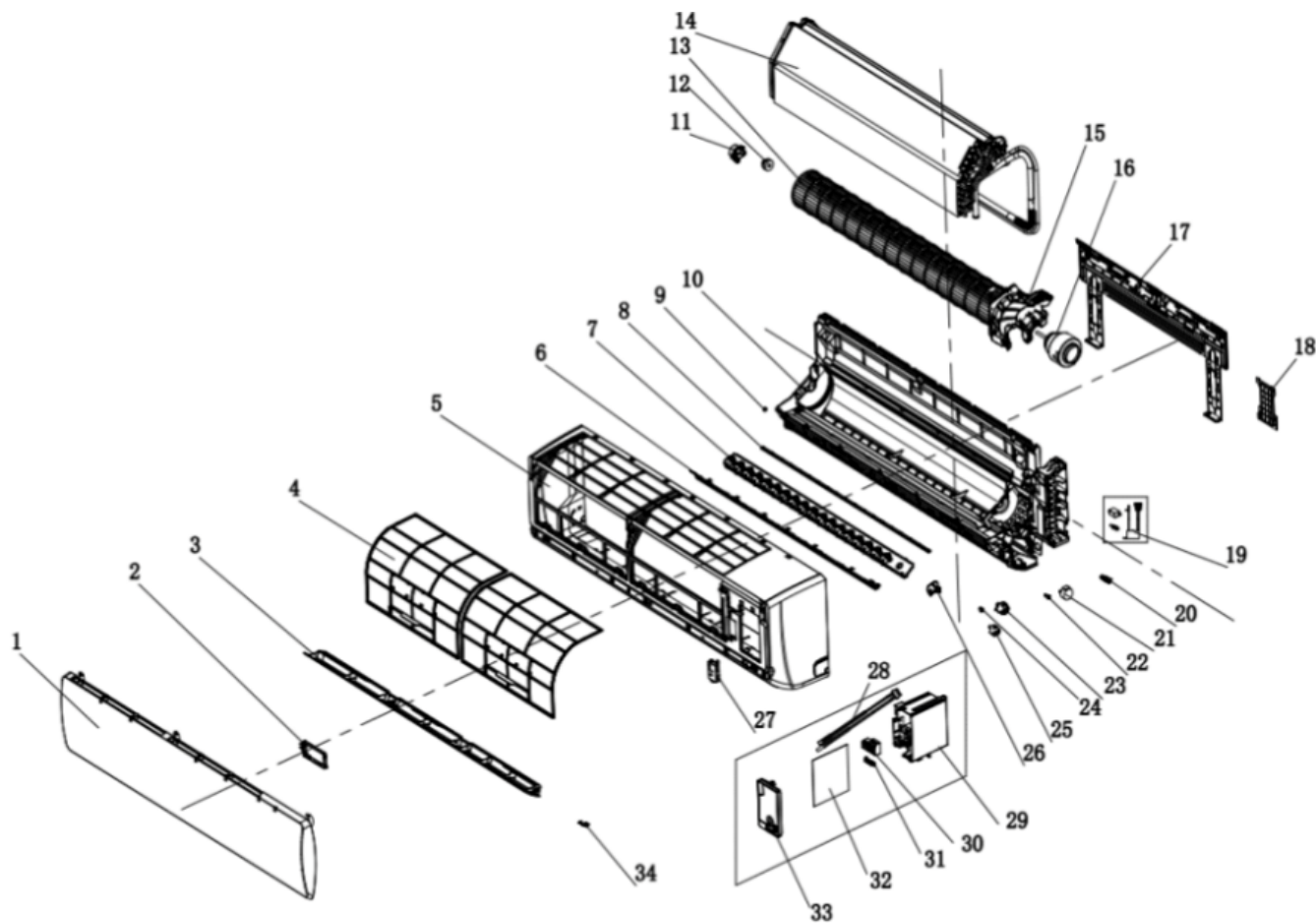


# Exploded Diagram - Parts List

**Sales Model:** KIWE36H2-31X

**Voltage:** 208-230V / 1ph / 60Hz



This information is to be used by qualified HVAC technicians only and is subject to revision without notice

KIWE36H2-31X - Drawing No. D5WE2529

DATE: 25-08

## KIWE36H2-31X - SPARE PARTS LIST

No.	Part Number	Part Name	Specifications	Stock No.	Qty.	Price	Remarks
1	41106-012022	Front panel			1	\$95.00	
2	42003-000001	Display assembly			1	\$1.67	
3	41103-000643	Vane			1	\$28.68	
4	42008-000239	Air filter			2	\$12.45	
5	41106-014054	Face frame			1	\$91.63	
6	41103-000645	Grid Guard			1	\$29.04	
10*	41102-000609	Base assembly			1	\$146.46	
11	41101-000250	Bearing sleeve			1	\$1.07	
12	42007-000009	Bearing Mount			1	\$3.97	
13	42004-000242	Cross Fan			1	\$71.10	
14	92011-009790	Evaporator			1	\$356.39	
15	41108-000203	Indoor Motor Cover			1	\$11.70	
16	22001-000240	Indoor Motor			1	\$158.82	
17	41109-000084	Installation Plate			1	\$41.91	
18	41101-000240	In and out Pipe Fixer			1	\$3.21	
19	/	Anion Generator			1	N/A	
21	22001-000360	Vane Motor			1	\$19.95	
22	41101-000252	Electric axis			1	\$0.47	
23	41108-000134	Step Motor Box			1	\$1.20	
25	29901-000078	Step Motor			1	\$25.80	
27	TBD	WIFI			1	N/A	
28	10104-100022	Indoor Sensor Assembly			1	\$8.25	

This information is to be used by qualified HVAC technicians only and is subject to revision without notice

KIWE36H2-31X Parts List No. P2WE2529

Above prices are subject to S&H charges

DATE 25-08

## KIWE36H2-31X - SPARE PARTS LIST

No.	Part Number	Part Name	Specifications	Stock No.	Qty.	Price	Remarks
29	41105-000427	Electrical Box			1	\$19.80	
30	11304-100063	Terminal			1	\$13.16	
31	42001-000103	Cable Clamp			1	\$0.76	
32	31101-002320	Main PCB			1	\$106.85	
33	41105-000178	Electrical Box Cover			1	\$24.61	
34	41101-000349	Vane Latch			2	\$3.21	
35	42009-000011	Drainage hose			1	\$9.33	
38	22013-005877	Remote control			1	\$41.90	
39	31102-000109	Display PCB			1	\$29.40	
40	22007-000104	Power supply cord			1	\$49.61	
41	22007-000246	Indoor and outdoor interconnecting wire			1	\$88.47	

This information is to be used by qualified HVAC technicians only and is subject to revision without notice

KIWE36H2-31X Parts List No. P2WE2529

Above prices are subject to S&H charges

DATE 25-08

**10\*** Includes (7,8,9,20,24,26)