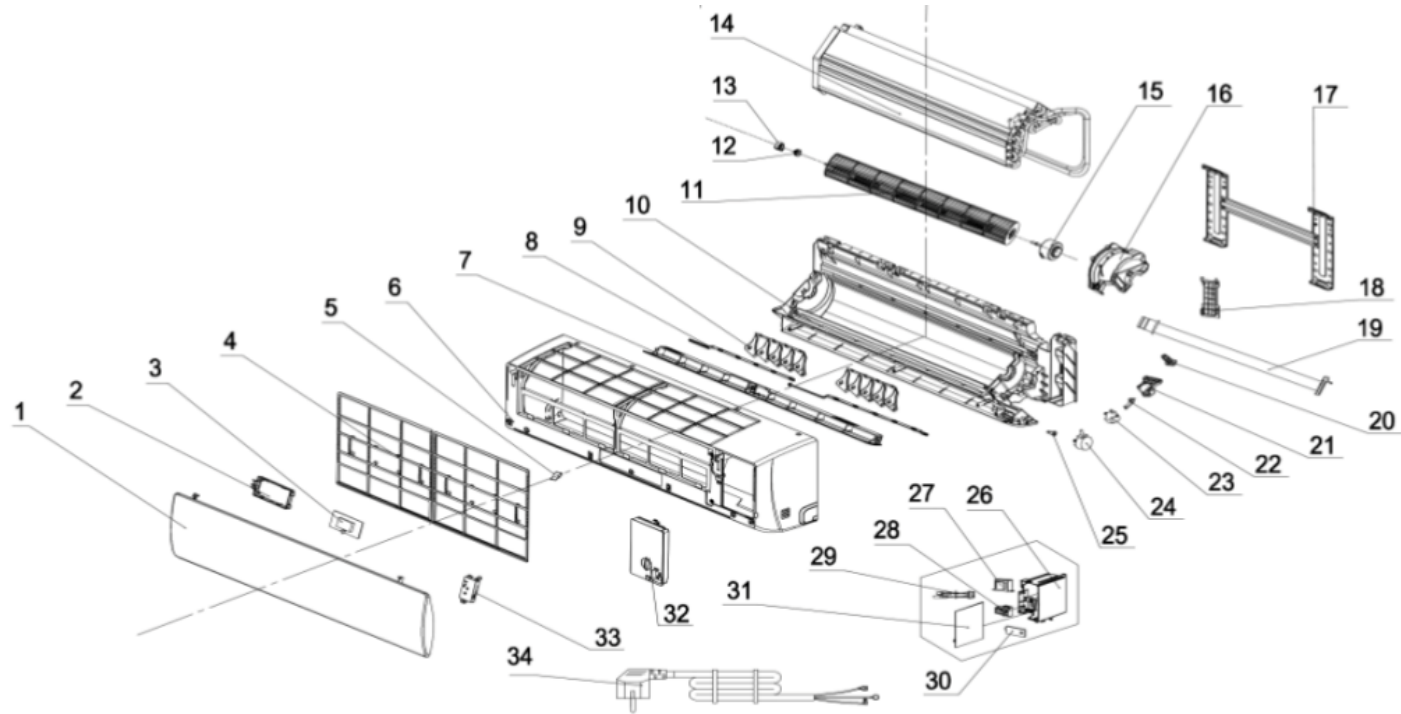


Exploded Diagram - Parts List

Sales Model: KIWE24H2-31X

Voltage: 208-230V / 1ph / 60Hz



This information is to be used by qualified HVAC technicians only and is subject to revision without notice

KIWE24H2-31X - Drawing No. D5WE2527

DATE: 25-08

KIWE24H2-31X - SPARE PARTS LIST

No.	Part Number	Part Name	Specifications	Stock No.	Qty.	Price	Remarks
1	41106-012022	Indoor panel assembly	1	4.95		\$54.43	
2	42003-000001	Display PCB box	1	0.11		\$1.67	
3	31102-000085	Display PCB	1	2.37		\$28.44	
4	42008-000001	Air filter	2	1.22		\$14.69	
5	41108-000066	Screw cover	2	0.05		\$0.76	
6	41106-002351	Face Frame Assembly	1	7.77		\$77.70	
7	41103-000484	Vane assembly	1	1.94		\$23.28	
8	41507-000076	Swept connecting rod	1	0.20		\$3.06	
9	41101-000042	Vertical vane	3	0.25		\$3.75	
10	41102-000669	Base assembly	1	13.39		\$113.82	
11	42004-000002	Cross Fan	1	4.90		\$53.88	
12	42007-000009	Bearing mount	1	0.26		\$3.97	
13	41101-000251	Bearing sleeve	1	0.07		\$1.05	
14	92011-002754	Evaporator	1	42.24		\$253.47	
15	22001-000240	Indoor Motor	1	18.68		\$158.82	
16	42003-000045	Indoor motor cover	1	1.22		\$14.69	
17	41109-000019	Installation plate	1	1.50		\$17.99	
18	41101-000224	In and out pipe fixer	1	0.23		\$3.45	
19	42009-000011	Drainage hose	1	0.62		\$9.33	
20	92012-000185	Drain pipe rubber plug	1	0.14		\$2.14	
21	42001-000004	Pendulum motor fixed seat	1	0.06		\$0.92	
22	41108-000058	Crank	1	0.05		\$0.76	
23	22001-000318	Step Motor	1	1.47		\$17.63	
24	22001-000321	Step motor	1	1.63		\$19.60	

This information is to be used by qualified HVAC technicians only and is subject to revision without notice

KIWE24H2-31X Parts List No. P2WE2527

Above prices are subject to S&H charges

DATE 25-08

KIWE24H2-31X - SPARE PARTS LIST

No.	Part Number	Part Name	Specifications	Stock No.	Qty.	Price	Remarks
25	41101-000252	Electric axis	1	0.03		\$0.47	
26	41105-000427	Electrical box	1	1.65		\$19.80	
27	/	Transformer	1	/		\$0.00	
28	11304-100063	Terminal	1	0.88		\$13.16	
29	10104-100014	Sensor	1	0.60		\$9.04	
30	42001-000103	Clamp	1	0.05		\$0.76	
31	31101-002525	Main PCB	1	16.20		\$137.68	
32	41211-000079	Electrical Box Cover	1	0.72		\$10.87	
33	TBD	WIFI module	1	TBD		N/A	
34	22007-000111	Power supply cord	1	4.49		\$49.39	
35	22013-005877	Remote control	1	3.81		\$41.90	Not shown
38	22007-000246	Indoor-outdoor interconnecting cable	1	8.85		\$88.47	Not shown

This information is to be used by qualified HVAC technicians only and is subject to revision without notice

KIWE24H2-31X Parts List No. P2WE2527

Above prices are subject to S&H charges

DATE 25-08