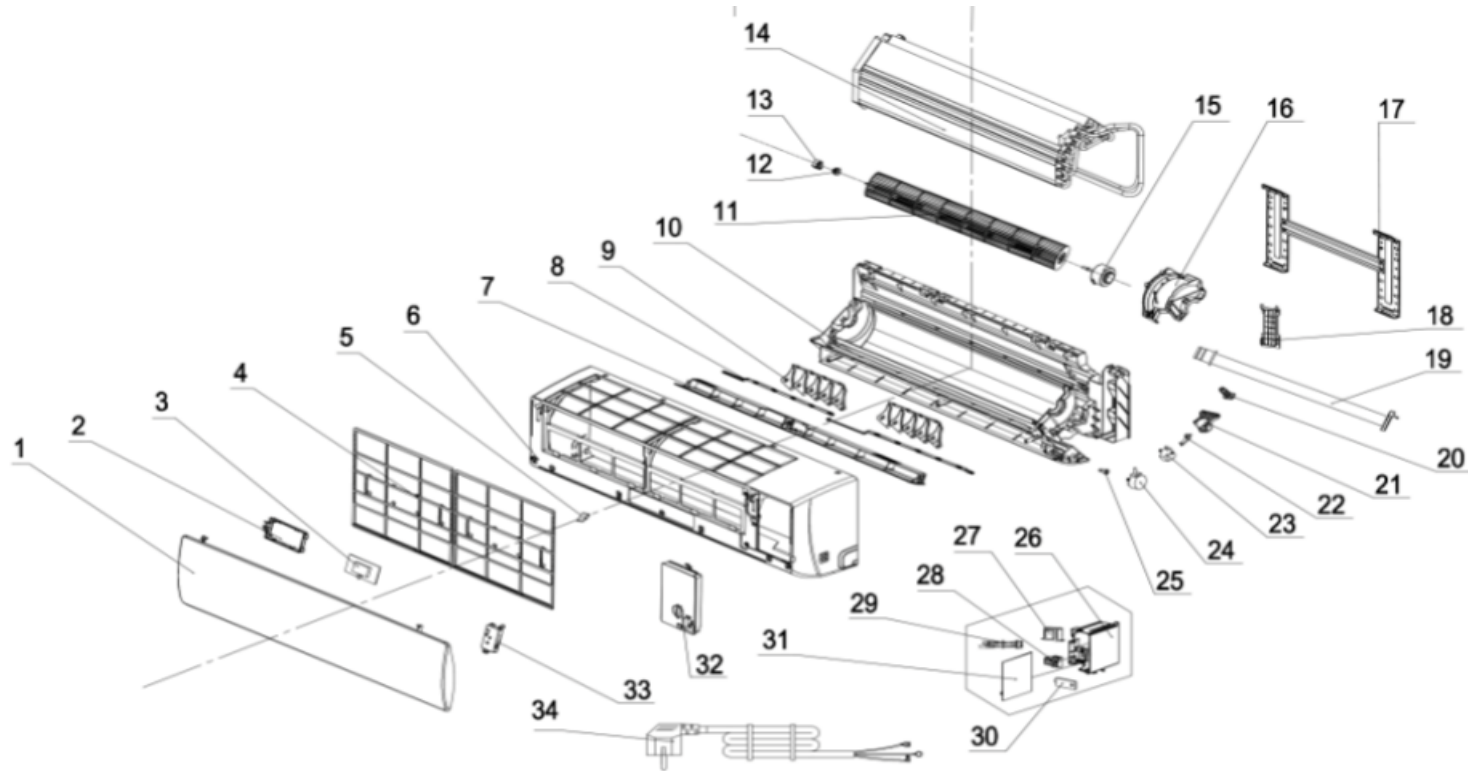


Exploded Diagram - Parts List

Sales Model: KIWE18H2-31X

Voltage: 208-230V / 1ph / 60Hz



This information is to be used by qualified HVAC technicians only and is subject to revision without notice

KIWE18H2-31X - Drawing No. D5WE2525

DATE: 25-08

KIWE18H2-31X - SPARE PARTS LIST

No.	Part Number	Part Name	Specifications	Stock No.	Qty.	Price	Remarks
1	41106-012022	Front panel			1	\$47.37	
2	42003-000001	Display PCB box			1	\$1.67	
3	31102-000085	Display PCB			1	\$28.44	
4	42008-000075	Air filter			2	\$12.98	
5	41108-000066	Screw cover			2	\$0.76	
6	41106-002356	Face frame assembly			1	\$66.53	
7	41103-000149	Vane assembly			1	\$20.94	
8	41101-000166	Connecting rod			1	\$3.68	
9	41101-000067	Vertical vane			2	\$2.61	
10	41102-000047	Base assembly			1	\$99.49	
11	42004-000012	Cross fan			1	\$50.51	
12	42007-000009	Bearing mount			1	\$3.97	
13	41101-000251	Bearing sleeve			1	\$1.05	
14	92011-002777	Evaporator			1	\$259.06	
15	22001-000547	Indoor motor			1	\$98.94	
16	41108-000013	Indoor motor cover			1	\$7.18	
17	41109-000041	Installation plate			1	\$14.85	
18	41101-000242	In and out pipe fixer			1	\$2.70	
19	42009-000011	Drainage hose			1	\$9.33	
20	92012-000185	Drain pipe rubber plug			1	\$2.14	
21	42001-000004	Pendulum motor fixed seat			1	\$0.92	
22	41108-000058	Crank			1	\$0.76	
23	22001-000321	Step motor			1	\$19.56	
24	22001-000318	Step motor			1	\$17.63	
25	41101-000252	Electric axis			1	\$0.47	
26	41105-000427	Electrical box			1	\$19.80	

This information is to be used by qualified HVAC technicians only and is subject to revision without notice

KIWE18H2-31X Parts List No. P2WE2525

Above prices are subject to S&H charges

DATE 25-08

KIWE18H2-31X - SPARE PARTS LIST

No.	Part Number	Part Name	Specifications	Stock No.	Qty.	Price	Remarks
27	/	Transformer			1	N/A	
28	11304-100063	Terminal			1	\$13.16	
29	10104-100014	Sensor			1	\$9.04	
30	42001-000103	Clamp			1	\$0.76	
31	31101-002090	Main PCB			1	\$108.63	
32	41211-000079	Electrical box cover			1	\$10.87	
33	TBD	WIFI module			1	N/A	
34	22007-000111	Power supply cord			1	\$49.39	
37	22013-005877	Remote control			1	\$41.90	Not shown
38	22007-000246	Indoor and outdoor interconnecting wire			1	\$88.47	Not shown

This information is to be used by qualified HVAC technicians only and is subject to revision without notice

KIWE18H2-31X Parts List No. P2WE2525

Above prices are subject to S&H charges

DATE 25-08