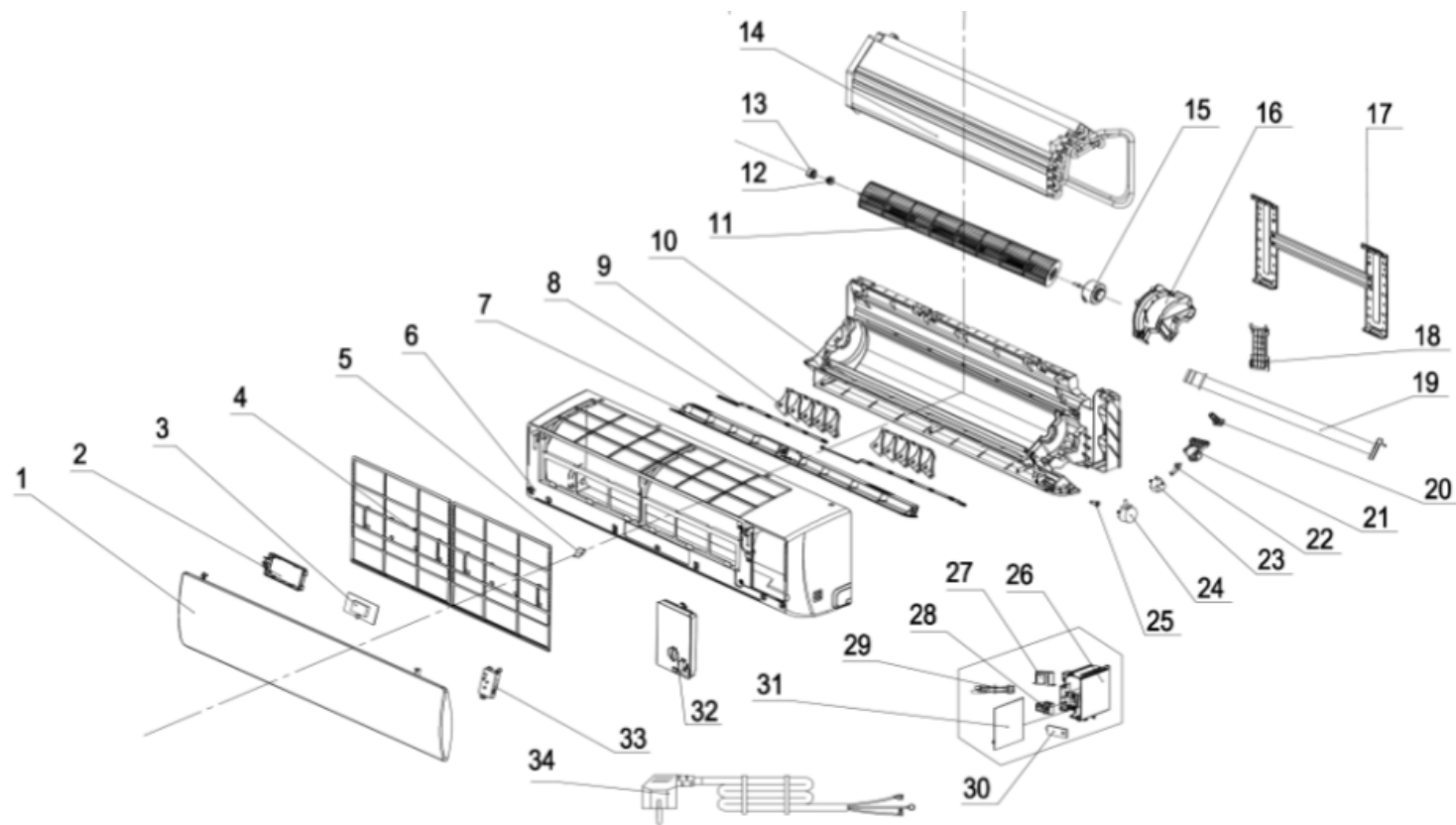


# Exploded Diagram - Parts List

Sales Model: **KIWE12H1-31X**

Voltage: 115V / 60Hz



This information is to be used by qualified HVAC technicians only and is subject to revision without notice

KIWE12H1-31X - Drawing No. D5WE2520

DATE: 25-08

## KIWE12H1-31X - SPARE PARTS LIST

No.	Part Number	Part Name	Specifications	Stock No.	Qty.	Price	Remarks
1	41106-012022	Front panel			1	\$63.40	
2	42003-000001	Display PCB box			1	\$2.25	
3	31102-000085	Display PCB			1	\$33.88	
4	42008-000037	Air filter			2	\$8.70	
5	41108-000066	Screw cover			1	\$1.05	
6	41106-002371	Face frame assembly			1	\$90.20	
7	41103-000101	Vane assembly			1	\$20.64	
8	41101-000115	Connecting rod 1			1	\$3.45	
	41101-000122	Connecting rod 2			1	\$3.45	
9	41101-000033	Vertical vane			2	\$3.15	
10	41199-002749	Base assembly			1	\$93.50	
11	42004-000039	Cross fan			1	\$45.43	
12	42007-000009	Bearing mount			1	\$5.10	
13	41101-000251	Bearing sleeve			1	\$1.35	
14	92011-006275	Evaporator			1	\$258.15	
15	22001-000238	Indoor motor			1	\$131.58	
16	42003-000060	Indoor motor cover			1	\$8.40	
17	41109-000042	Installation plate			1	\$12.36	
18	41101-000242	In and out pipe fixer			1	\$3.45	
19	42009-000011	Drainage hose			1	\$12.15	
20	92012-000185	Drain pipe rubber plug			1	\$2.85	
21	42001-000004	Pendulum motor fixed seat			1	\$1.20	
22	41108-000058	Crank			1	\$1.05	
23	22001-000318	Step motor			1	\$22.92	
24	22001-000313	Step motor			1	\$18.48	
25	41101-000252	Electric axis			1	\$0.60	

This information is to be used by qualified HVAC technicians only and is subject to revision without notice

KIWE12H1-31X Parts List No. P2WE2520

Above prices are subject to S&H charges

DATE 25-08

## KIWE12H1-31X - SPARE PARTS LIST

No.	Part Number	Part Name	Specifications	Stock No.	Qty.	Price	Remarks
26	41105-000427	Electrical box			1	\$25.80	
27	/	Transformer			1	—	
28	11304-100063	Terminal			1	\$13.68	
29	10104-100014	Sensor			1	\$11.70	
30	42001-000103	Clamp			1	\$1.05	
31	31101-002538	Main PCB			1	\$130.14	
32	41211-000077	Electrical box cover			1	\$20.52	
33	TBD	WIFI module			1	—	
34	22007-000111	Power supply cord			1	\$58.40	
37	22013-005877	Remote control			1	\$41.90	No shown
38	22007-000246	Indoor and outdoor connection line			1	\$97.75	No shown

This information is to be used by qualified HVAC technicians only and is subject to revision without notice

KIWE12H1-31X Parts List No. P2WE2520

Above prices are subject to S&H charges

DATE 25-08