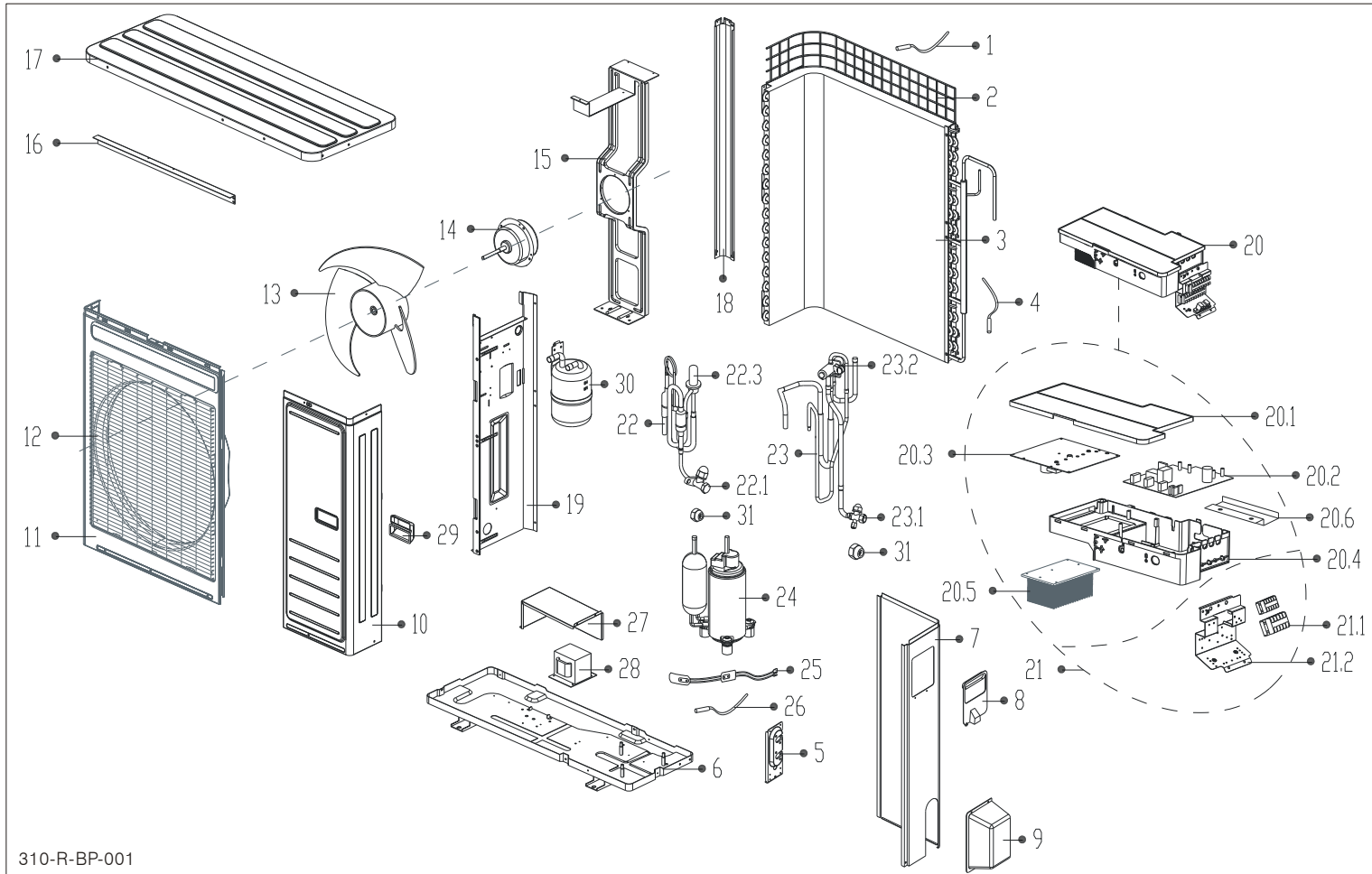


EXPLODED DIAGRAM - PARTS VIEW

Sales Model: KSIO024-H218-OC | 22022316000005

Power Supply: 208-230V~ / 1ph / 60Hz



310-R-BP-001

This information is to be used by qualified HVAC technicians only and is subject to revision without notice

KSIO024-H218-OC - Drawing No. D11O1409

DATE 14-08

KSIO024-H218-OC - SPARE PARTS LIST

| No. | Part Number | Part Name | Specifications | Stock No. | Qty. | Price | Remarks |
|------|----------------|---------------------------------------|----------------|-----------|------|--------|-------------|
| 1 | 11201007000143 | Room Temperature Sensor | | | 1 | 4,36 | |
| 2 | 12122200002802 | Rear Net | | | 1 | 7,38 | |
| 3 | 15822000002545 | Condenser Assembly | | | 1 | 384,11 | |
| 4 | 11201007000006 | Temperature Sensor | | | 1 | 6,41 | |
| 5 | 12222200001720 | Installing plate for valves | | | 1 | 8,47 | |
| 6 | 12222300000217 | Chassis Assembly | | | 1 | 86,09 | |
| 7 | 12222000001850 | Parts of Rear Right Side Plate | | | 1 | 57,41 | |
| 8 | 12222000002532 | Big Handle. | | | 1 | 6,90 | |
| 9 | 12122000007158 | Water Collecting Cover | | | 1 | 6,53 | |
| 10 | 12222200001991 | Front Right Side Plate assembly | | | 1 | 64,70 | |
| 11 | 12222200001988 | Front Panel | | | 1 | 80,08 | |
| 12 | 12222000001865 | Air Outlet Guard | | | 1 | 31,98 | |
| 13 | 12100105000028 | Components of axial-flow vane | | | 1 | 58,44 | |
| 14 | 11002015000252 | Brushless DC Motor | | | 1 | 205,47 | ZKFP-72-8-1 |
| 15 | 12222300000240 | Fan Motor Holder Assembly | | | 1 | 67,41 | |
| 16 | 12222200001540 | Rear housing support plate | | | 1 | 8,71 | |
| 17 | 12222200001927 | Top cover assembly | | | 1 | 47,50 | |
| 18 | 12222200001544 | Left supporting panel | | | 1 | 12,32 | |
| 19 | 12222300000174 | Separator Assembly | | | 1 | 43,95 | |
| 20 | 17222300000218 | Outdoor E-Parts Box Subassembly | | | 1 | 393,20 | |
| 20,1 | 12122300000044 | Electric Installing Box Cover | | | 1 | 24,35 | |
| 20,2 | 17122300000449 | Outdoor Main Control Board Subassy | | | 1 | 187,31 | |
| 20,3 | 17122300000731 | Inverter Module Subassembly (Sticker) | | | 1 | 294,23 | |
| 20,4 | 12122300000041 | Installation board for E-parts | | | 1 | 49,74 | |

This information is to be used by qualified HVAC technicians only and is subject to revision without notice

KSIO024-H218-OC - Parts List No. P1I01409

Above prices are subject to S&H charges

DATE 14-08

KSIO024-H218-OC - SPARE PARTS LIST

| No. | Part Number | Part Name | Specifications | Stock No. | Qty. | Price | Remarks |
|------|----------------|---|----------------|-----------|------|--------|---------------|
| 20,5 | 11203803000085 | Radiator | | | 1 | 74,52 | |
| 20,6 | 12227000001934 | Baffle of Electrical Control Box | | | 1 | 1,94 | |
| 21 | 17222300000151 | Electrical Control Box Terminal Block Subassy | | | 1 | 51,80 | |
| 21,1 | 17400401000020 | Wire holder | | | 1 | 4,11 | |
| 21,1 | 17400401000085 | 3-position Terminal Block | | | 1 | 21,12 | |
| 21,2 | 12222300000225 | Wiring terminal installing plate | | | 1 | 5,93 | |
| 22 | 15423000001049 | High-Voltage valve Assembly | | | 1 | 210,21 | |
| 22,1 | 15500208000002 | High-Voltage valve | | | 1 | 22,33 | GYF-C21N |
| 22,3 | 15500213000001 | Electric expansive valve (EEV) | | | 1 | 180,71 | VPF-20D27 |
| 23 | 15422000002320 | Gas Valve Assembly | | | 1 | 134,31 | |
| 23,1 | 15500204000025 | Low Pressure Valve | | | 1 | 46,08 | |
| 23,2 | 15500216000019 | 4-way Valve | | | 1 | 74,77 | |
| 24 | 11103020000044 | Inverter Controlled Rotary Compressor | | | 1 | 458,19 | DA250S2C-30MT |
| 25 | 17402001000017 | Crankshaft Electrical Heating Strip | | | 1 | 26,23 | |
| 26 | 11201007000246 | Discharge temperature sensor assembly | | | 1 | 12,43 | |
| 27 | 12222200001793 | Inductor Cover Assembly | | | 1 | 11,11 | |
| 28 | 17400306000058 | Reactor | | | 1 | 71,46 | R25027(AL)(J) |
| 29 | 12100702000047 | Little Handle | | | 2 | 1,69 | |
| 30 | 15500508000011 | Accumulator cylinder | | | 1 | 88,17 | |
| 31 | 15500406000010 | Brass Nut | | | 1 | 5,08 | |
| 31 | 15500406000003 | Brass Nut | | | 1 | 9,08 | |

This information is to be used by qualified HVAC technicians only and is subject to revision without notice

KSIO024-H218-OC - Parts List No. P1IO1409

Above prices are subject to S&H charges

DATE 14-08