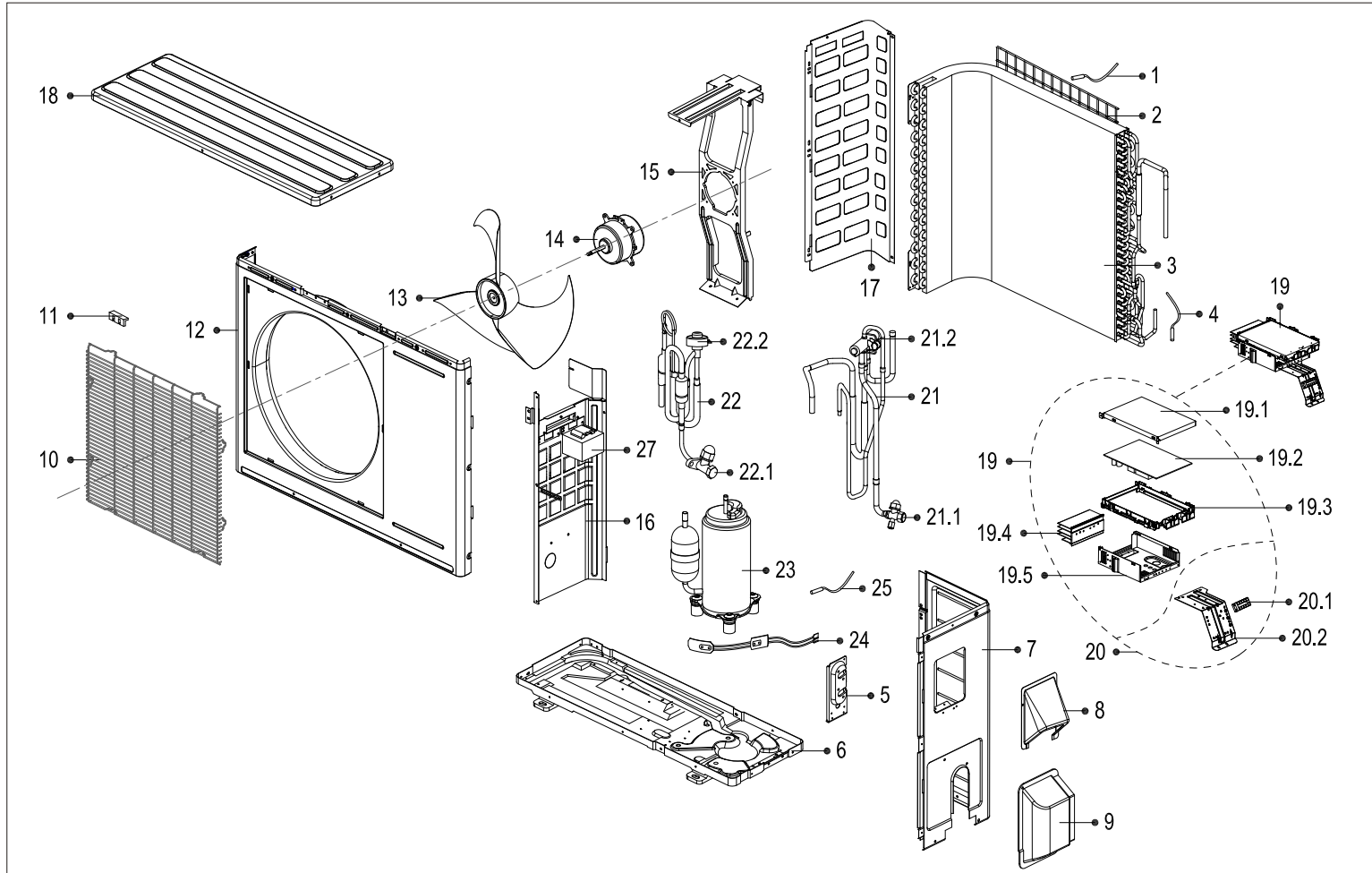


EXPLODED DIAGRAM - PARTS VIEW

Sales Model: KSIO012-H223 | 22022016003084

Power Supply: 208-230V~ / 1ph / 60Hz



This information is to be used by qualified HVAC technicians only and is subject to revision without notice

KSIO012-H223-OC - Drawing No. D1IO1407

DATE 14-08

KSIO012-H223-OC - SPARE PARTS LIST

No.	Part Number	Part Name	Specifications	Stock No.	Qty.	Price	Remarks
1	11201007000282	Room Temperature Sensor			1	\$4,72	
2	12222000001977	Rear Net Shield			1	\$4,48	
3	15822000001978	Condenser Assembly			1	\$197,60	
4	11201007000136	Temperature Sensor			1	\$5,69	
5	12222000002552	Installing plate for valves			1	\$6,05	
6	12222000000838	Chassis Assembly			1	\$72,28	
7	12222000001931	Right Side Plate			1	\$39,71	
8	12222000002532	Big Handle.			1	\$6,90	
9	12122000007155	Water receiver			1	\$7,74	
10	12222000001880	Air Outlet Guard			1	\$24,31	
11	12122000006844	Clamp of front net			6	\$0,24	
12	12222000001728	Front Panel			1	\$70,50	
13	12100105000020	Components of axial-flow vane			1	\$49,37	
14	11002015000040	Brushless DC Motor			1	\$160,25	ZKFN-35-8-3
15	12222000002022	Fan Motor Holder Assembly			1	\$23,72	
16	12222000002332	Separator Assembly			1	\$23,83	
17	12222000001242	Left Side Floor			1	\$25,18	
18	12222000002509	Top cover			1	\$37,41	
19	17222000001990	Outdoor E-Parts Box Subassembly			1	\$266,36	
19,1	12222000001457	Electrical Control Box Cover			1	\$7,14	
19,2	17122000000463	Outdoor Main Control Board Subassy			1	\$242,20	
19,3	12122000006883	Holder for Electrical Control Box			1	\$5,08	
19,4	11203803000276	Radiator			1	\$28,84	

This information is to be used by qualified HVAC technicians only and is subject to revision without notice

KSIO012-H223-OC - Parts List No. P1IO1407

Above prices are subject to S&H charges

DATE 14-08

KSIO012-H223-OC - SPARE PARTS LIST

No.	Part Number	Part Name	Specifications	Stock No.	Qty.	Price	Remarks
19,5	12222000003674	Electric Installing Box			1	\$7,87	
20	17222000002936	Terminal board subassembly			1	\$46,10	
20,1	17400401000075	Wire holder			1	\$24,86	
20,2	12222000002275	Terminal board subassembly			1	\$6,66	
21	15422000002437	Gas Valve Assembly			1	\$145,73	
21,1	15500204000046	Low Pressure Valve			1	\$33,13	
21,2	15500216000017	4-way Valve			1	\$78,17	
22	15422000001156	High-Voltage valve Assembly			1	\$120,58	
22,1	15500208000025	High-Voltage valve			1	\$18,81	GYF-A18N
23	11103020000089	Inverter Controlled Rotary Compressor			1	\$407,29	DA110S1C-30FZ
24	17402001000008	Electric heating strip of compressor			1	\$25,60	DJRD-358A-1000-20W-1
25	11201007000157	Discharge temperature sensor assembly			1	\$8,59	
27	17400306000054	Reactor			1	\$43,47	
28	15500406000016	Brass Nut			1	\$3,15	
28	15500406000012	Brass Nut			1	\$6,66	

This information is to be used by qualified HVAC technicians only and is subject to revision without notice

KSIO012-H223-OC - Parts List No. P1101407

Above prices are subject to S&H charges

DATE 14-08