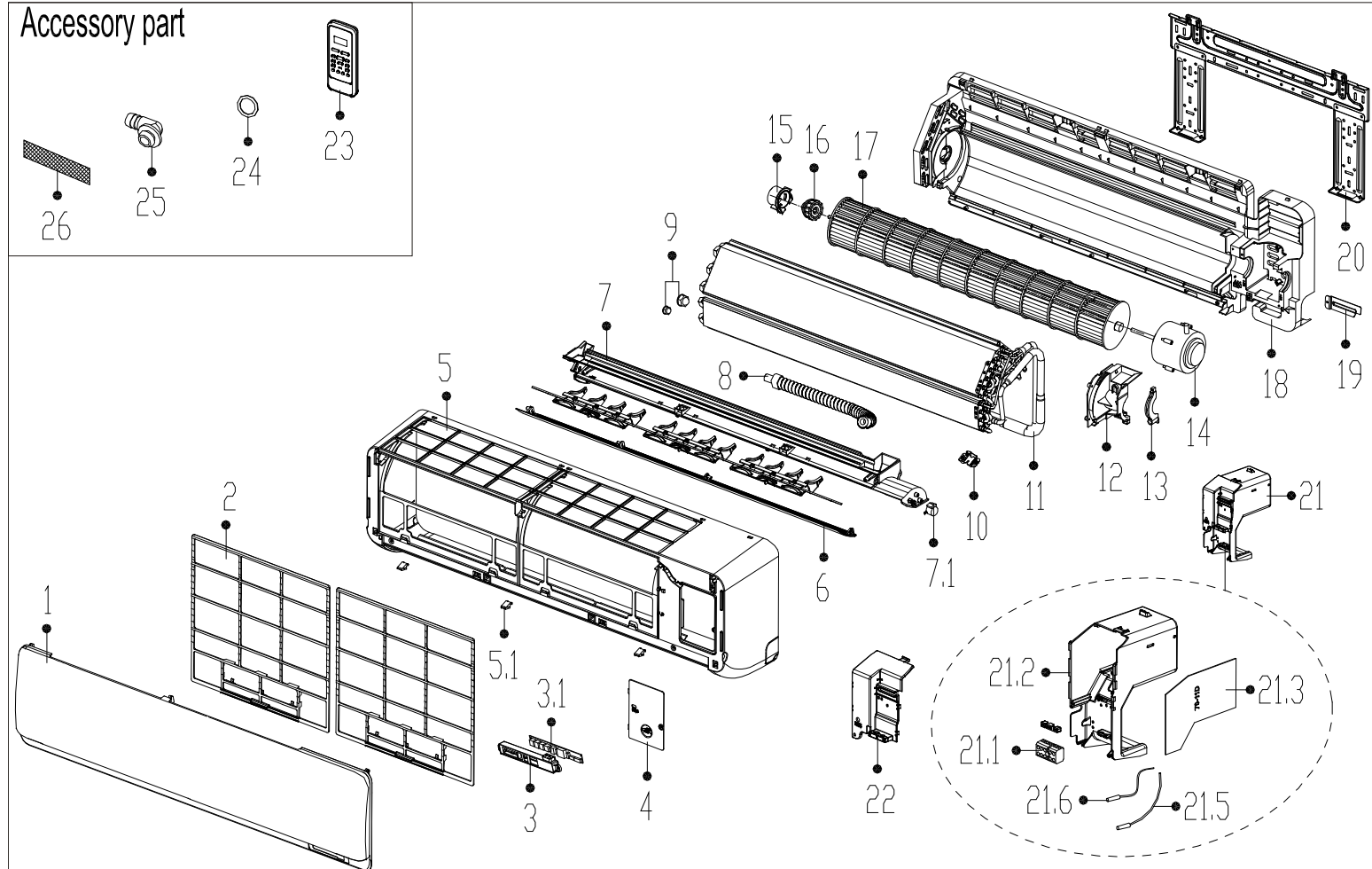


EXPLODED DIAGRAM - PARTS VIEW

Sales Model: KWIO18-H2

Power Supply: 208-230V~ / 1ph / 60Hz



This information is to be used by qualified HVAC technicians only and is subject to revision without notice

KWIO18-H2-- Drawing No. D2IO1404

DATE 14-03

KWIO18-H2 - SPARE PARTS LIST

No.	Part Number	Part Name	Specifications	Stock No.	Qty.	Price	Remarks
1	2011328A2353	Panel assembly			1	\$79.18	
2	201132890670	Air filter			2	\$8.42	
3	2033325A1977	Display box assembly			1	\$32.06	
3.1	2013323A1250	Display board assembly			1	\$29.36	
4	201133091048	Cover of electrical equipment			1	\$9.74	
5	201132890673	Panel frame assembly			1	\$81.48	
5.1	201119900950	Screw cap			3	\$0.33	
6	201132890671	Horizontal louver			1	\$20.70	
7	201132890677	Air outlet assembly			1	\$73.44	
7.1	202400200120	Louver motor			1	\$24.60	MP30EA4
8	201101020038	Drain hose			1	\$6.11	
9	201600320000	Pipe nut			1	\$0.33	
9	201600320002	Pipe nut			1	\$0.66	
10	201102000305	Fix clamp of temperature sensor			1	\$0.33	
11	201532890153	Evaporator assembly			1	\$272.22	
12	201133090980	Fan motor cover			1	\$5.94	
13	201133090167	Fixing board of fan motor			1	\$1.32	
14	202400300064	Brushless DC Motor			1	\$243.95	WZDK58-38G
15	201119900952	Bearing holder			1	\$0.83	
16	202719900606	Bearing base			1	\$2.15	
17	201100200056	Cross flow fan			1	\$55.76	
18	201132890703	Chassis assembly			1	\$101.85	
19	201232800103	Pipe clamp board			1	\$1.49	

This information is to be used by qualified HVAC technicians only and is subject to revision without notice

KWIO18-H2 - Parts List No. P2IO1404

Above prices are subject to S&H charges

DATE 14-03

KWIO18-H2 - SPARE PARTS LIST

No.	Part Number	Part Name	Specifications	Stock No.	Qty.	Price	Remarks
20	201232590038	Installation plate			1	\$22.05	
21	203332890569	Electronic control box assembly			1	\$160.65	
21.1	202301450119	Wire joint			1	\$8.91	
21.2	201133090976	Electronic control box			1	\$27.79	
21.3	201332890610	Indoor main control board assembly			1	\$126.09	
21.5	202432390005	Ambient temperature sensor assembly			1	\$4.95	
21.6	202301300584	Pipe temperature sensor assembly			1	\$7.10	
22	201133090981	Cover of electronic control box			1	\$4.95	
23	2033550B0251	Remote Controller			1	\$57.63	
24	202720090001	Seal ring			1	\$0.33	
25	201101020011	Drain joint			1	\$0.50	
26	201131410703	Air freshening filter			1	\$1.49	

This information is to be used by qualified HVAC technicians only and is subject to revision without notice

KWIO18-H2 - Parts List No. P2IO1404

Above prices are subject to S&H charges

DATE 14-03