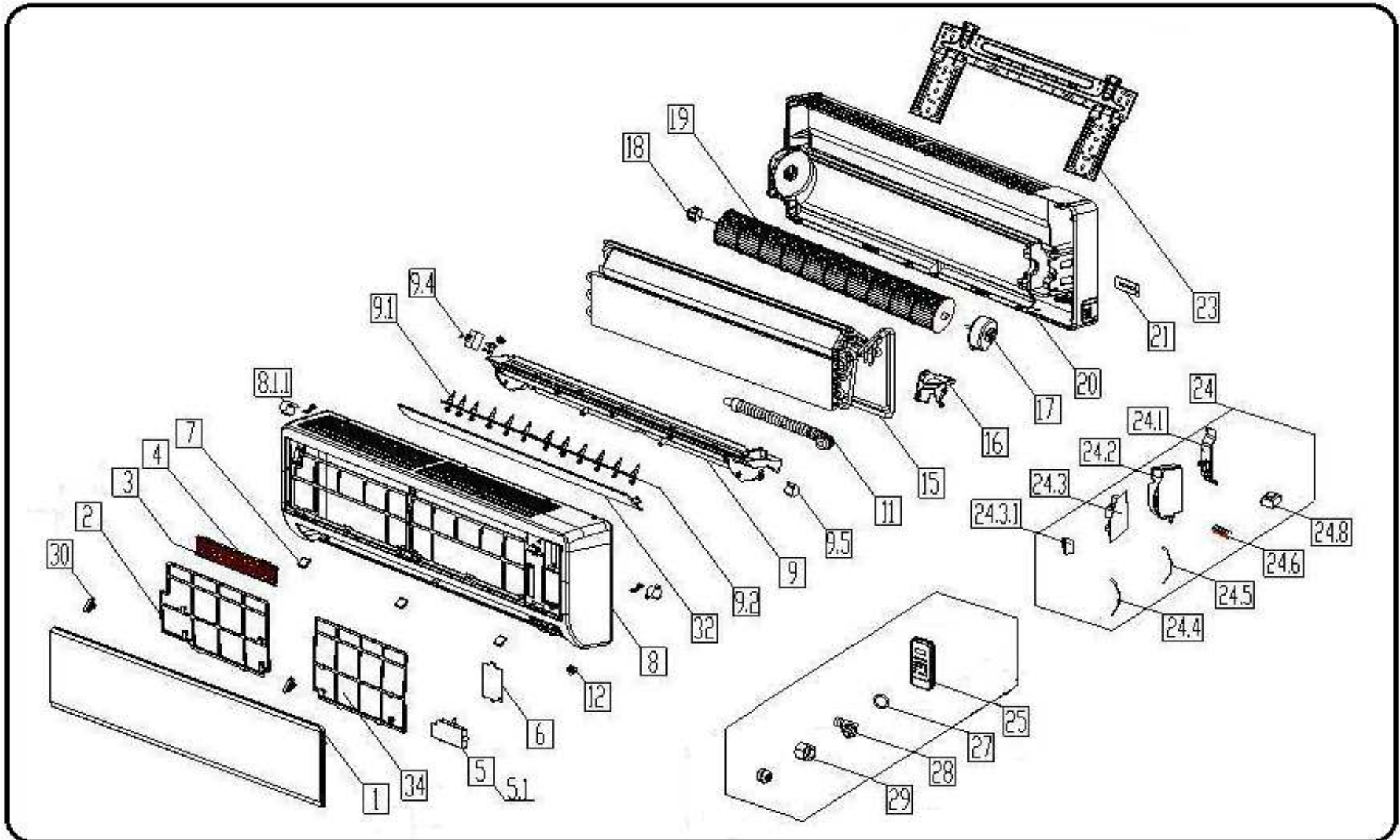


EXPLODED DIAGRAM - PARTS VIEW

Model: KWIM018-H2
Power Supply: 220-230V~ 60Hz 1ph



This information is to be used by qualified AC technicians only
Above information subject to revision without notice

KWIM18- Drawing No. D2MM16181301

DATE 13-01

KWIM018-H2 - SPARE PARTS LIST

Item No.	Part No.	Part Name	Specifications	Stock No.	Qty	Price	Remarks
1	201132890054	Panel assembly			1	\$ 201.03	
2	201132890025	Air filter(left)			1	\$ 9.21	
3	201131410703	Air cleaner			1	\$ 3.07	
4	201132200713	Bracket of air filter			1	\$ 3.07	
5	203332890007	Display box assembly			1	\$ 109.45	
5.1	201332590462	Display board assembly			1	#N/A	
6	201132490008	Cover of indoor electronic control box			1	\$ 3.07	
7	201132890026	Screw cap			3	\$ 3.07	
8	201132890584	Panel frame assembly			1	\$ 199.35	
8.1	201132890019	Panel frame assembly			1	\$ 184.28	
8.1.1	202400200042	Louver motor			1	\$ 45.09	
9	201132890678	Air outlet assembly			1	\$ 74.27	
9.1	201132890241	Vertical vane			12	\$ 3.07	
9.2	201132890243	Louver holder			1	\$ 3.07	
9.2	201132890242	Louver holder			2	\$ 3.07	
9.4	202403000003	Ionizer generator			1	\$ 16.75	
9.5	202400200040	Louver motor			1	\$ 13.96	
11	201101020038	Drain hose			1	\$ 6.14	
15	201532890109	Evaporator assembly			1	\$ 241.23	
16	201132890021	Fan motor cover			1	\$ 6.14	
17	202400300419	Asynchronous motor			1	\$ 105.54	
18	202730100201	Bearing base			1	\$ 3.07	
19	201100200107	Cross flow fan			1	\$ 54.58	
20	201132890048	Chassis assembly			1	\$ 80.13	
21	201130100204	Pipe clamp board			1	\$ 3.07	
23	201232790008	Installation plate			1	\$ 13.96	

This information is to be used by qualify technicians only

Above prices, numbers, specifications subject to revision without notice

Above prices are subject S & H charges

KWIM18- Part list No. P2MM16181301

Drawing No. D2MM16181301

DATE 13-01

KWIM018-H2 - SPARE PARTS LIST

Item No.	Part No.	Part Name	Specifications	Stock No.	Qty.	Price	Remarks
24	203352090182	Electronic control box assembly			1	\$ 201.03	
24.1	201132890644	Cover of electronic control box			1	\$ 6.14	
24.2	201132890014	Electronic control box			1	\$ 22.34	
24.3	201352090268	Main control board assembly			1	\$ 137.37	
24.3.1	202401200001	Fan motor capacitor			1	\$ 3.07	
24.4	202433190000	Indoor temperature sensor assembly			1	\$ 3.07	
24.5	202301300080	Pipe temperature sensor assembly			1	\$ 6.14	
24.6	202301400064	Wire joint			1	\$ 11.17	
24.8	202300900116	Transformer			1	\$ 45.09	
25	203355091200	Remote Controller			1	\$ 47.47	
29	201600330003	Nut			1	\$ 3.07	
29	201600330001	Nut			1	\$ 3.07	
30	201132890023	Hinge Slide groove			2	\$ 3.07	
32	201132890060	Horizontal louver			1	\$ 56.96	
34	201132890024	Air filter(right)			1	\$ 9.21	

This information is to be used by qualify technicians only

Above prices, numbers, specifications subject to revision without notice

Above prices are subject S & H charges

KWIM18- Part list No. P1IMI181301

Drawing No. D2MM16181301

DATE 13-01