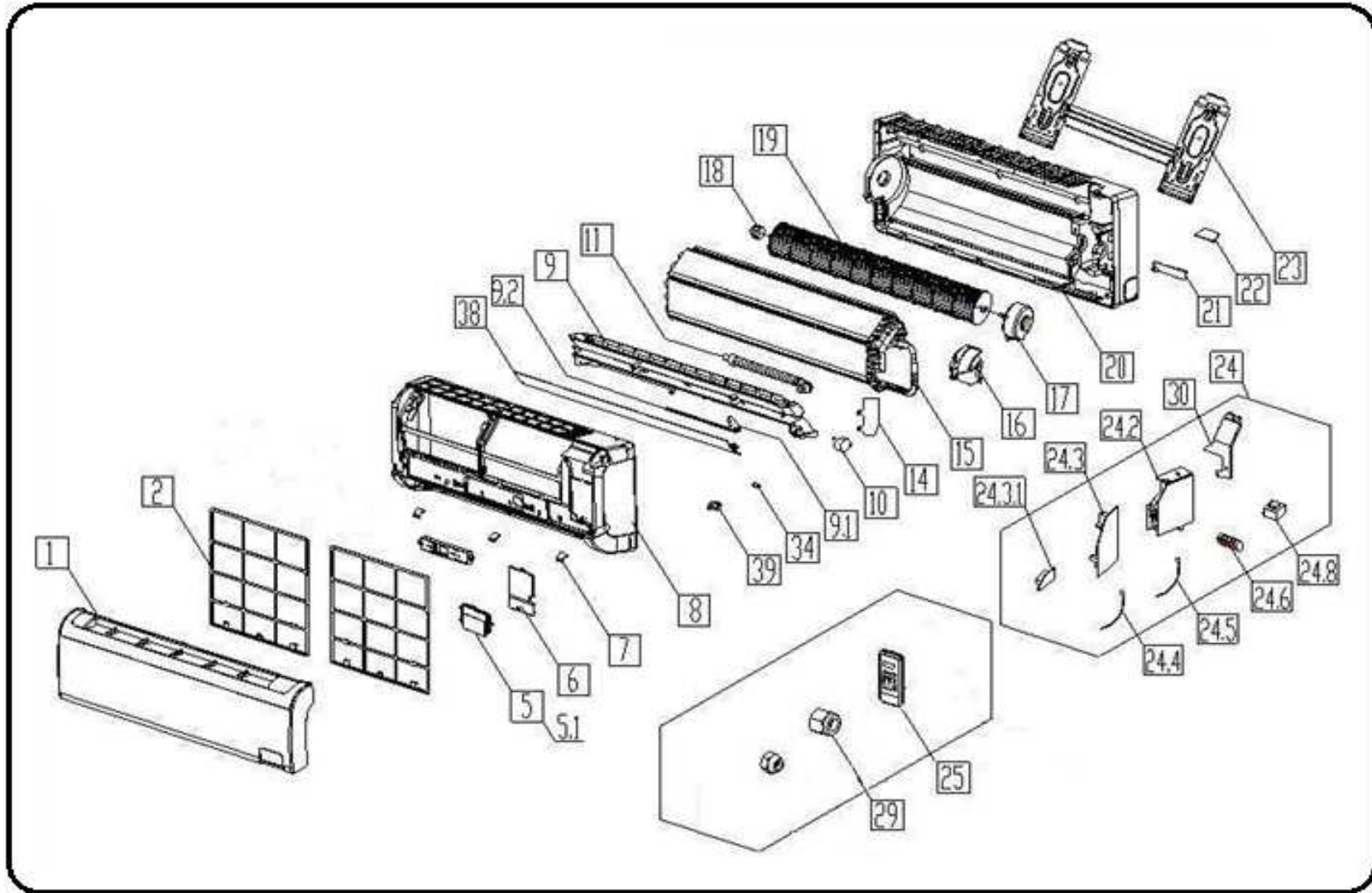


EXPLODED DIAGRAM - PARTS VIEW

Model : KWIL09-H2
Power Supply : 208-230V~ / 1ph / 60Hz

M40A



This information is to be used by qualify AC technicians only
Above information subject to revision without notice

KWIL9-H2- Drawing No. D2ML16091301
DATE 13-01

KWIL09-H2 - SPARE PARTS LIST

No.	Part No.	Part Name	Specifications	Stock No.	Qty	Price	Remarks
1	201132190049	Panel assembly		M40A0049	1	\$ 49.84	
2	201132390523	Air filter		M40A0523	2	\$ 3.07	
5	203332390661	Display box assembly		M40A0661	1	\$ 56.96	
5.1	201332390804	Display board assembly		M40A0804	1	#N/A	
6	201132190045	Cover of indoor electronic control box		M40A0045	1	\$ 3.07	
7	201132190044	Screw cap		M40A0044	3	\$ 3.07	
8	201132190133	Panel frame assembly		M40A0133	1	\$ 31.83	
9	201132190047	Air outlet assembly		M40A0047	1	\$ 42.72	
9.1	201130190160	Vertical vane		M40A0160	10	\$ 3.07	
9.2	201130310306	Louver holder		M40A0306	1	\$ 3.07	
9.2	201130310305	Louver holder		M40A0305	1	\$ 3.07	
10	202400200006	Louver motor		M40A0006	1	\$ 11.17	
11	201101020038	Drain hose		M40A0038	1	\$ 6.14	
14	201130310350	Waterproof board		M40A0350	1	\$ 3.07	
15	201532390115	Evaporator assembly		M40A0115	1	\$ 192.23	
16	201130120963	Fan motor cover		M40A0963	1	\$ 6.14	
17	202400300137	Asynchronous motor		M40A0137	1	\$ 91.86	
18	202730100201	Bearing base		M40A0201	1	\$ 3.07	
19	201100200011	Cross flow fan		M40A0011	1	\$ 61.70	
20	201132391011	Chassis assembly		M40A1011	1	\$ 52.21	
21	201130100204	Pipe clamp board		M40A0204	1	\$ 3.07	
22	201132390920	Right cover of chassis		M40A0920	1	\$ 3.07	
23	201232490002	Installation plate		M40A0002	1	\$ 11.17	
24	203352090185	Electronic control box assembly		M40A0185	1	#N/A	
24.2	201132391022	Electronic control box		M40A1022	1	#N/A	
24.3	201352090269	Main control board assembly		M40A0269	1	#N/A	
24.3.1	202401200004	Fan motor capacitor		M40A0004	1	\$ 3.07	
24.4	202433190000	Indoor temperature sensor assembly		M40A0000	1	\$ 3.07	
24.5	202301300080	Pipe temperature sensor assembly		M40A0080	1	\$ 6.14	
24.6	202301400064	Wire joint		M40A0064	1	\$ 11.17	
24.8	202300900095	Transformer		M40A0095	1	\$ 29.18	
25	203355091255	Remote Controller		M40A1255	1	\$ 34.48	
29	201600330002	Nut		M40A0002	1	\$ 3.07	
29	201600330001	Nut		M40A0001	1	\$ 3.07	
30	201132390227	Cover of electronic control box		M40A0227	1	\$ 6.14	
34	201131390149	insulated axis		M40A0149	1	\$ 3.07	

This information is to be used by qualified HVAC technicians only and is subject to revision without notice

KWIL09-H2 - Part list No. P2ML16091301

Above prices are subject S & H charges

DATE 13-01

KWIL09-H2 - SPARE PARTS LIST

No.	Part No.	Part Name	Specifications	Stock No.	Qty	Price	Remarks
38	201132190131	Horizontal louver		M40A0131	1	\$ 11.17	
39	201102000305	Fix clamp of temperature sensor		M40A0305	1	\$ 3.07	

This information is to be used by qualified HVAC technicians only and is subject to revision without notice

KWIL09-H2 - Part list No. P2ML16091301

Above prices are subject S & H charges

DATE 13-01