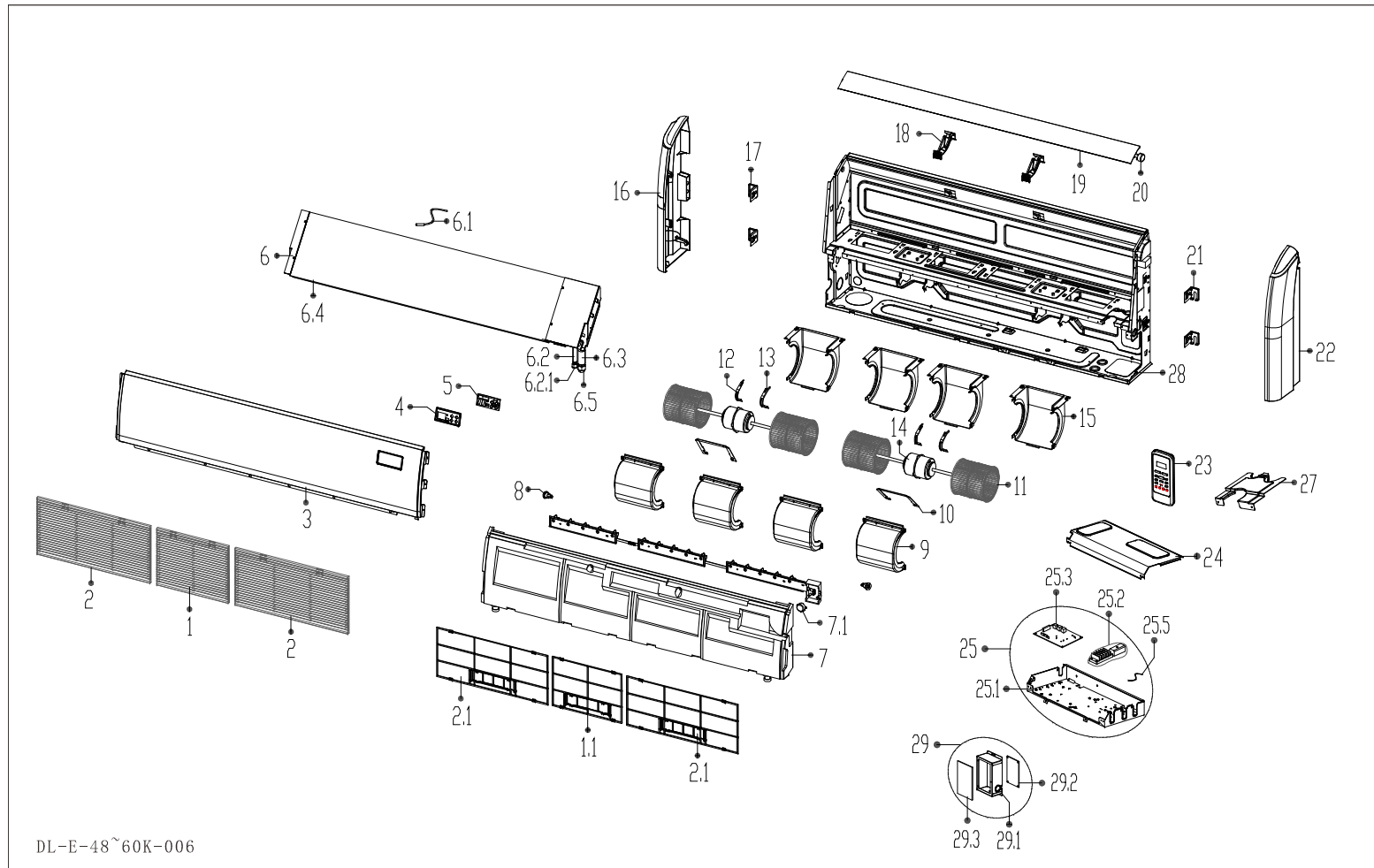


EXPLODED DIAGRAM - PARTS VIEW

Sale Model: KUIM048-H2 | 220044601520

Power Supply: 208-230V~ 60Hz 1Phase



This information is to be used by qualified HVAC technicians only and is subject to revision without notice

KUIM048-H2 - Drawing No. D2UM1403

DATE 14-07

KUIM048-H2 - SPARE PARTS LIST

No.	Part Number	Part Name	Specifications	Stock No.	Qty.	Price	Remarks
1	201144790014	Air inlet grille assembly II			1		
1.1	201144790023	Air filter I			1		
2	201144790015	Air inlet grille assembly I			2		
2.1	201144790024	Air filter II			1		
3	201244790048	Top cover assembly			1		
4	201144790016	Display installation box			1		
5	201344790040	Display board assembly			1		
6	201544790144	Evaporator assembly			1		
6.1	202301300804	Pipe temperature sensor assembly			1		
6.1	202301300111	Pipe temperature sensor assembly			1		
6.2	201644790189	Input pipe assembly			1		
6.2.1	201600320001	Copper nut			1		5/8"-18UNF-2B
6.3	201644790192	Output pipe assembly			1		
6.4	201544790139	Evaporator			1		
6.5	201600320003	Copper nut			1		7/8"-14UNF
7	202244790001	Water collector			1		
7.1	202400200100	Louver motor			1		MP35EA9
8	201132590888	Insulated axis			2		
9	201144690032	Volute shell (above)			4		
10	201252490002	Fan motor fixing board			2		
11	201144690083	Centrifugal fan			4		
12	201280200006	Fan motor axes clamp (right)			2		
13	201280200005	Fan motor axes clamp (left)			2		
14	202400300070	Asynchronous motor			2		WZDK90-38GS-W

This information is to be used by qualified HVAC technicians only and is subject to revision without notice

KUIM048-H2 - Parts List No. P2UM1403

Above prices are subject to S&H charges

DATE 14-07

KUIM048-H2 - SPARE PARTS LIST

No.	Part Number	Part Name	Specifications	Stock No.	Qty.	Price	Remarks
15	201144690033	Volute shell (below)			4		
16	201144790017	Right cover			1		
17	201244790033	Right hook			2		
18	201144790018	Supporter of louver			2		
19	201144790006	Louver			1		
20	202400200162	Louver motor			1		MP35EA3EA4
21	201244790034	Left hook			2		
22	201144790019	Left cover			1		
23	203355091534	Remote controller			1		RG05F2/BGEU1
24	201244490048	Cover of electronic control box			1		
25	203344690024	Electronic control box assembly			1		
25.1	201244790050	Electronic control box			1		
25.2	202301400488	Wire joint			1		
25.2	202301450125	Wire joint			1		
25.3	201344690015	Main control board assembly			1		
25.5	202301310072	Ambient temperature sensor assembly			1		
27	201244790047	Pipe clamp board			1		
28	201244690053	Chassis assembly			1		
29	203319900796	Electronic control box assembly			2		
29.1	201270590340	Electronic control box			1		
29.2	201319903060	Inverter control board assembly			1		
29.3	202301900138	Radiator			1		

This information is to be used by qualified HVAC technicians only and is subject to revision without notice

KUIM048-H2 - Parts List No. P2UM1403

Above prices are subject to S&H charges

DATE 14-07