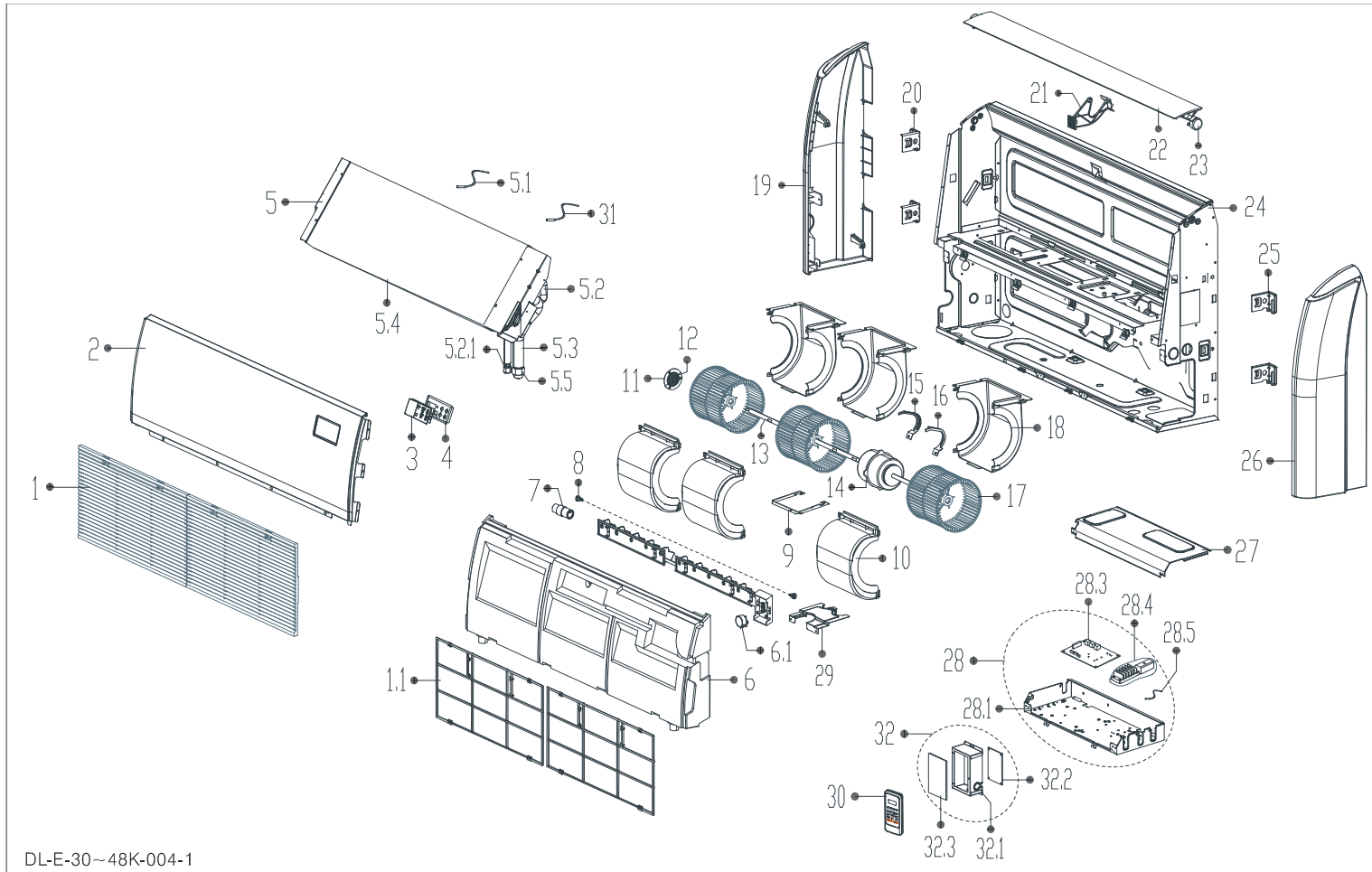


# EXPLODED DIAGRAM - PARTS VIEW

**Sales Model:** KUIM036-H2 | 220044401750

**Power Supply:** 208-230V~ / 1ph / 60Hz



This information is to be used by qualified HVAC technicians only and is subject to revision without notice

KUIM036-H2 - Drawing No. D2UM1402

DATE 14-07

## KUIM036-H2 - SPARE PARTS LIST

No.	Part Number	Part Name	Specifications	Stock No.	Qty.	Price	Remarks
1	201144790015	Air inlet grille assembly I			2		
1.1	201144790024	Air filter I			1		
2	201244490047	Top cover assembly			1		
3	201344790040	Display board assembly			1		
4	201144790016	Display installation box			1		
5	201544490266	Evaporator assembly			1		
5.1	202301300804	Pipe temperature sensor assembly			1		
5.1	202301300111	Pipe temperature sensor assembly			1		
5.2	201644690252	Input pipe assembly			1		
5.2.1	201600320001	Copper nut			1		5/8"-18UNF-2B
5.3	201644490324	Output pipe assembly			1		
5.4	201544690174	Evaporator			1		
5.5	201600320003	Copper nut			1		7/8"-14UNF
6	202244490015	Water collector			1		
6.1	202400200100	Louver motor (vertical)			1		MP35EA9
7	202970790001	Coupling			1		
8	201132590888	Insulated axis			2		
9	201252490002	Fan motor fixing board			1		
10	201144690032	Volute shell (above)			3		
11	201287000011	Bearing fixing board			1		
12	202732400001	Bearing base			1		
13	202501180104	Connecting shaft			1		
14	202400300512	Asynchronous motor			1		WZDK115-38GS-W
15	201280200006	Fan motor axes clamp (right)			1		

This information is to be used by qualified HVAC technicians only and is subject to revision without notice

KUIM036-H2 - Parts List No. P2UM1402

Above prices are subject to S&H charges

DATE 14-07

## KUIM036-H2 - SPARE PARTS LIST

No.	Part Number	Part Name	Specifications	Stock No.	Qty.	Price	Remarks
16	201280200005	Fan motor axes clamp (left)			1		
17	201144690083	Centrifugal fan			3		
18	201144690033	Volute shell (below)			3		
19	201144790017	Right cover			1		
20	201244790033	Right hook			2		
21	201144790018	Supporter of louver			1		
22	201144490040	Louver			1		
23	202400200162	Louver motor			1		MP35EA3EA4
24	201244490052	Chassis assembly			1		
25	201244790034	Left hook			2		
26	201144790019	Left cover			1		
27	201244490048	Cover of electronic control box			1		
28	203344490074	Electronic control box assembly			1		
28.1	201244790050	Electronic control box			1		
28.3	201344690014	Main control board assembly			1		
28.4	202301400488	Wire joint			1		
28.4	202301450125	Wire joint			1		
28.5	202301310072	Ambient temperature sensor assembly			1		
29	201244790047	Pipe clamp board			1		
30	203355091534	Remote controller			1		RG05F2/BGEU1
32	203319900796	Electronic control box assembly			1		
32.1	201270590340	Electronic control box			1		
32.2	201319903060	Inverter control board assembly			1		
32.3	202301900138	Radiator			1		

This information is to be used by qualified HVAC technicians only and is subject to revision without notice

KUIM036-H2 - Parts List No. P2UM1402

Above prices are subject to S&H charges

DATE 14-07