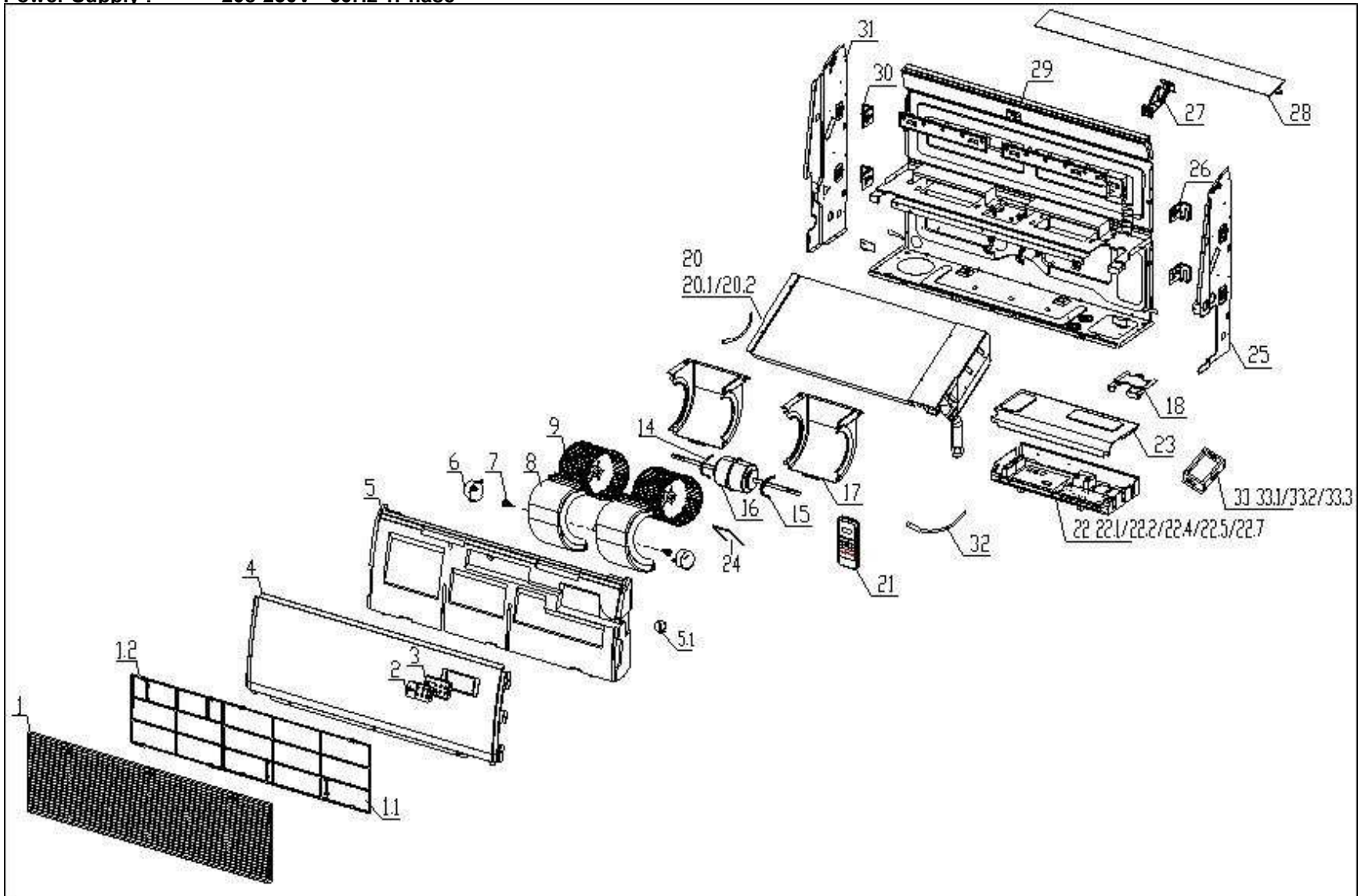


# EXPLODED DIAGRAM - PARTS VIEW

Model : KUIM024-H2  
Power Supply : 208-230V~ 60Hz 1Phase

M52A



This information is to be used by qualify AC technicians only  
Above information subject to revision without notice

KUIM2416- Drawing No. D2IU16241301

DATE 13-01

## SPARE PARTS LIST

Item No.	Part No.	Part Name	Specifications	Stock No.	Qty	Price	Remarks
1	201144290054	Air inlet grille assembly I		M52A0054	1	\$ 28.4	
1.1	201144790024	Air filter I		M52A0024	1	\$ 6.3	
1.2	201144790023	Air filter II		M52A0023	1	\$ 6.3	
2	201344790040	Display board assembly		M52A0040	1	\$ 29.9	
3	201144790016	Display installation box		M52A0016	1	\$ 3.1	
4	201244290052	Top cover assembly		M52A0052	1	\$ 68.2	
5	202244290014	Water collector		M52A0014	1	\$ 152.9	
5.1	202400200100	Louver motor (vertical)		M52A0100	1	\$ 27.2	
6	202400200162	Louver motor		M52A0162	1	\$ 53.6	
7	201132590888	Insulated axis		M52A0888	2	\$ 3.1	
8	201144690032	Volute shell (above)		M52A0032	2	\$ 14.3	
9	201144690011	Plastic fan		M52A0011	2	\$ 35.3	
14	201280200006	Fan motor axes clamp (right)		M52A0006	1	\$ 3.1	
15	201280200005	Fan motor axes clamp (left)		M52A0005	1	\$ 3.1	
16	202400300447	Asynchronous motor		M52A0447	1	\$ 212.6	
17	201144690033	Volute shell (below)		M52A0033	2	\$ 14.3	
18	201244790047	Pipe clamp board		M52A0047	1	\$ 3.1	
20	201544290181	Evaporator assembly		M52A0181	1	\$ 332.2	
20.1	202301300111	Pipe temperature sensor assembly		M52A0111	1	\$ 9.4	
20.2	201644290197	Input pipe assembly		M52A0197	1	\$ 94.2	
21	203355091534	Remote controller		M52A1534	1	\$ 63.2	
22	203344290034	Electronic control box assembly		M52A0034	1	\$ 251.3	
22.1	201244790050	Electronic control box		M52A0050	1	\$ 29.9	
22.2	201344290056	Main control board assembly		M52A0056	1	\$ 207.5	
22.4	202301420101	Wire joint		M52A0101	1	\$ 9.4	
22.4	202301450125	Wire joint		M52A0125	1	\$ 11.4	
22.5	202301310072	Ambient temperature sensor assembly		M52A0072	1	\$ 6.3	
23	201244490048	Cover of electronic control box		M52A0048	1	\$ 14.3	
24	201252490002	Fan motor fixing board		M52A0002	1	\$ 3.1	
25	201144790019	Left cover		M52A0019	1	\$ 43.5	

This information is to be used by qualify technicians only

KUIM2416- Part list No. P2IU16241301

Above prices, numbers, specifications subject to revision without notice

Drawing No. D2IU16241301

Above prices are subject S & H charges

DATE 13-01

## SPARE PARTS LIST

Item No.	Part No.	Part Name	Specifications	Stock No.	Qty	Price	Remarks
26	201244790034	Left hook		M52A0034	2	\$ 3.1	
27	201144790018	Supporter of louver		M52A0018	1	\$ 3.1	
28	201144290056	Louver		M52A0056	1	\$ 43.9	
29	201244290053	Chassis assembly		M52A0053	1	\$ 208.8	
30	201244790033	Right hook		M52A0033	2	\$ 3.1	
31	201144790017	Right cover		M52A0017	1	\$ 43.5	
32	202301300133	Pipe temperature sensor		M52A0133	1	\$ 9.4	
33	203319900795	Electronic control box assembly		M52A0795	1	\$ 202.8	
33.1	201270590340	Electronic control box		M52A0340	1	\$ 9.4	
33.2	201319902766	Inverter control board assembly		M52A2766	1	\$ 170.1	
33.3	202301900138	Radiator		M52A0138	1	\$ 40.8	

This information is to be used by qualify technicians only

KUIM2416- Part list No. P2IU16241301

Above prices, numbers, specifications subject to revision without notice

Drawing No. D2IU16241301

Above prices are subject S & H charges

DATE 13-01