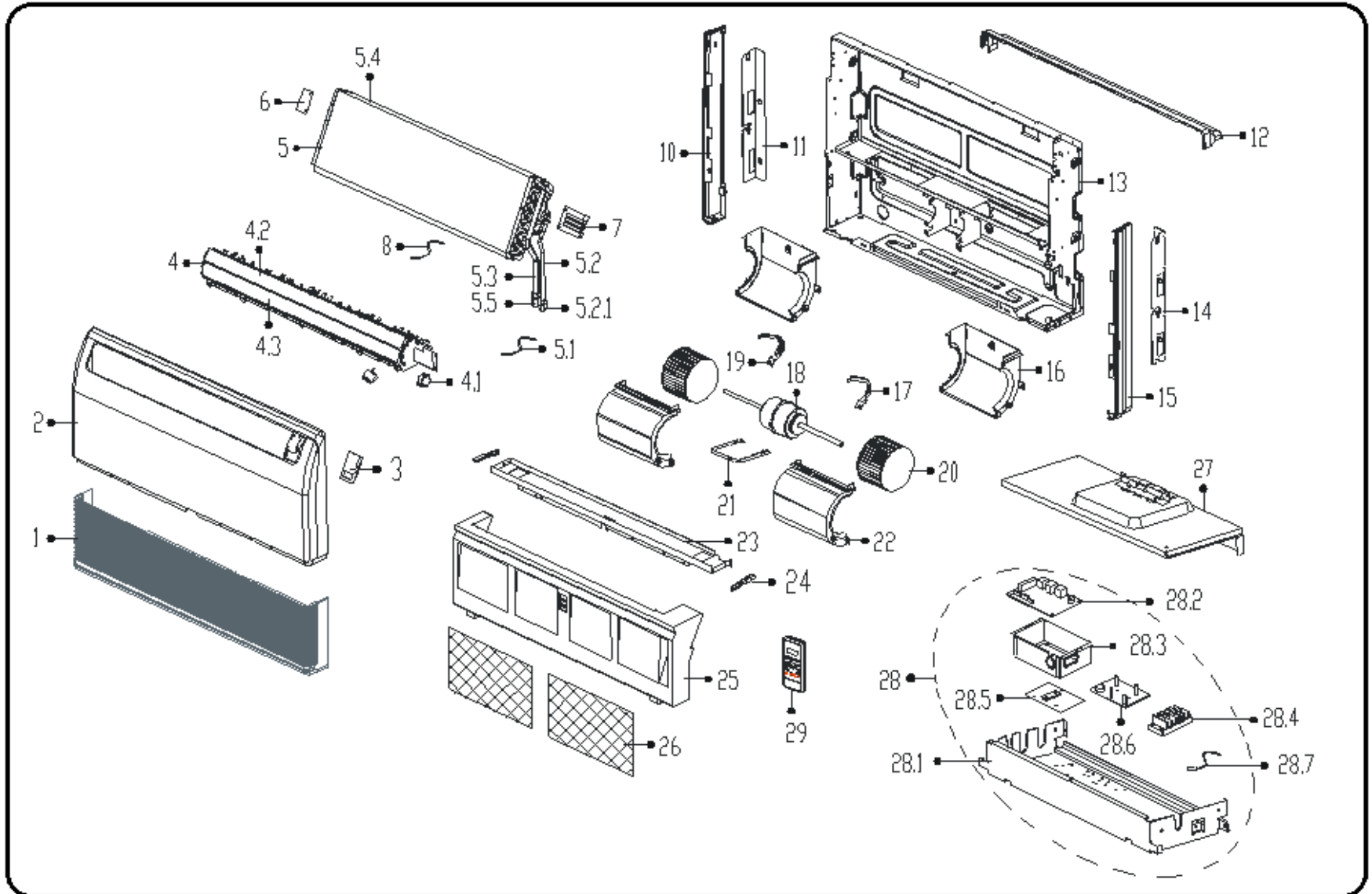


EXPLODED DIAGRAM - PARTS VIEW

Model : KUIM018-H2
Power Supply : 208-230V~ 60Hz 1Phase

M51A



This information is to be used by qualify AC technicians only
Above information subject to revision without notice

KUIM1816- Drawing No. D2IU16181301

DATE 13-01

SPARE PART LIST

Item No.	Part No.	Part Name	Specifications	Stock No.	Qty	Price	Remarks
1	201144290003	Air inlet grille assembly		M51A0003	1	\$ 39.35	
2	201144290001	Front panel assembly		M51A0001	1	\$ 104.27	
3	201344290037	Display Panel Subassembly		M51A0037	1	\$ 43.46	
4	201144290000	Air outlet assembly		M51A0000	1	\$ 102.27	
4.1	202400200100	Louver motor		M51A0100	1	\$ 27.22	
4.1	202400200101	Louver motor		M51A0101	1	\$ 27.22	
4.2	201144290027	Horizontal louver (above)		M51A0027	1	\$ 9.41	
4.3	201144290028	Horizontal louver (below)		M51A0028	1	\$ 9.41	
5	201544090012	Evaporator assembly		M51A0012	1	\$ 257.72	
5.1	202301300111	Pipe temperature sensor assembly		M51A0111	1	\$ 9.41	
5.2	201644090040	Input pipe assembly		M51A0040	1	\$ 48.71	
5.2.1	201600320000	Copper nut		M51A0000	1	\$ 3.14	
5.3	201644090045	Output pipe assembly		M51A0045	1	\$ 53.55	
5.4	201544090013	Evaporator		M51A0013	1	\$ 194.60	
5.5	201600320002	Copper nut		M51A0002	1	\$ 9.41	
6	201244290003	Evaporator Installing Plate		M51A0003	1	\$ 3.14	
7	201244290004	Evaporator Installing Plate		M51A0004	1	\$ 3.14	
8	202301310075	Ambient temperature sensor assembly		M51A0075	1	\$ 6.27	
10	201144290008	Right cover		M51A0008	1	\$ 20.10	
11	201244290037	Right installation board		M51A0037	1	\$ 14.25	
12	201144290005	Rear cover		M51A0005	1	\$ 32.63	
13	201244090012	Chassis assembly		M51A0012	1	\$ 204.48	
14	201244290036	Left installation board		M51A0036	1	\$ 14.25	
15	201144290009	Left cover		M51A0009	1	\$ 20.10	
16	201144290032	Volute shell (below)		M51A0032	2	\$ 20.10	
17	201280200005	Fan motor axes clamp (left)		M51A0005	1	\$ 3.14	
18	202400300447	Asynchronous motor		M51A0447	1	\$ 212.63	
19	201280200006	Fan motor axes clamp (right)		M51A0006	1	\$ 3.14	
20	201144290015	Plastic fan		M51A0015	2	\$ 43.46	

This information is to be used by qualify technicians only

KUIM1816- Part list No. P2IU16181301

Above prices, numbers, specifications subject to revision without notice

Drawing No. D2IU16181301

Above prices are subject S & H charges

DATE 13-01

SPARE PART LIST

Item No.	Part No.	Part Name	Specifications	Stock No.	Qty	Price	Remarks
21	201252490002	Fan motor fixing board		M51A0002	1	\$ 3.14	
22	201144290033	Volute shell (above)		M51A0033	2	\$ 17.25	
23	201244290034	Middle beam assembly		M51A0034	1	\$ 22.95	
24	201144290012	Grille Clip		M51A0012	2	\$ 3.14	
25	202244290012	Water collector		M51A0012	1	\$ -	
26	201144290004	Air filter		M51A0004	2	\$ 9.41	
27	201244290010	Cover of electronic control box		M51A0010	1	\$ 17.25	
28	203319900795	Electronic control box assembly		M51A0795	1	\$ 202.77	
28	203352290014	Electronic control box assembly		M51A0014	1	\$ 222.95	
28.1	201244290016	Electronic control box 1		M51A0016	1	\$ 27.22	
28.2	201352290014	Main control board assembly		M51A0014	1	\$ 192.04	
28.3	201270590340	Electronic control box 2		M51A0340	1	\$ 9.41	
28.4	202301420101	Wire joint		M51A0101	1	\$ 9.41	
28.5	202301900138	Radiator		M51A0138	1	\$ 40.76	
28.6	201319902766	Inverter control board assembly		M51A2766	1	\$ 170.10	
28.7	202301310072	Ambient temperature sensor assembly		M51A0072	1	\$ 6.27	
29	203355091534	Remote controller		M51A1534	1	\$ 63.24	

This information is to be used by qualify technicians only

KUIM1816- Part list No. P2IU16181301

Above prices, numbers, specifications subject to revision without notice

Drawing No. D2IU16181301

Above prices are subject S & H charges

DATE 13-01