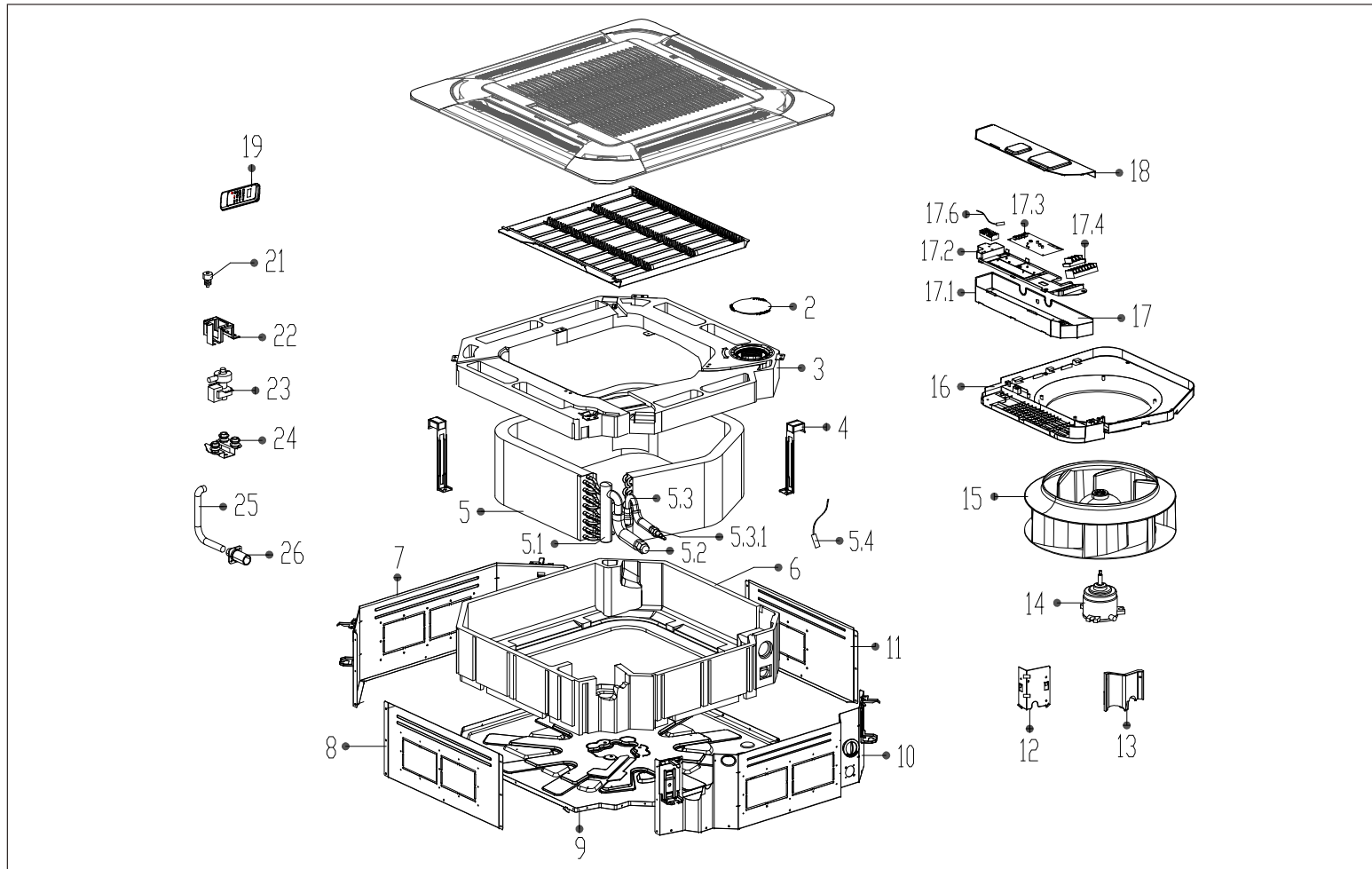


EXPLODED DIAGRAM - PARTS VIEW

Sales Model: KTIR24-H2 | 62225-14500203

Power Supply: 208-230V~ / 1ph / 60Hz



This information is to be used by qualified HVAC technicians only and is subject to revision without notice

KTIR24-H2 - Drawing No. D2TR1605

DATE 16-06

KTIR24-H2 - SPARE PARTS LIST

No.	Part Number	Part Name	Specifications	Stock No.	Qty.	Price	Remarks
2	12122500000025	Cover			1	\$0.77	
3	12822500000066	Foam tray assembly for condenser water			1	\$151.56	
4	12222500000084	Evaporator fixing hanger			2	\$2.20	
5	15822500000013	Evaporator assembly			1	\$214.20	
5.1	15122500000242	Output pipe assembly			1	\$38.38	
5.2	15500406000003	Copper nut			1	\$7.92	
5.3	15122500000276	Input pipe assembly			1	\$46.55	
5.3.1	15500406000010	Copper nut			1	\$4.40	
5.4	11201007000136	Pipe temperature sensor assembly			1	\$5.94	
5.4	11201007000266	Pipe temperature sensor assembly			1	\$8.69	
6	12822500000014	Base foam assembly			1	\$71.40	
7	12222500000159	Board assembly III			1	\$27.55	
8	12222500000232	Board assembly I			1	\$11.20	
9	12222500000122	Chassis assembly			1	\$72.38	
10	12222500000135	Board assembly II			1	\$27.55	
11	12222500000238	Board assembly IV			1	\$10.00	
12	12222500000106	Evaporator fixing board			1	\$3.52	
13	12122500000331	Pipe fixing board assembly			1	\$3.19	
14	11002015000173	Asynchronous motor			1	\$198.45	ZKFP-42-8-1
15	12100103000040	Fan assembly			1	\$123.76	
16	12122500000591	Ventilation assembly			1	\$55.25	
17	17222500000103	Electronic control box assembly			1	\$183.87	
17.1	12222500000119	Electronic control box			1	\$13.60	
17.2	12122500000029	Insulation plate			1	\$5.94	

This information is to be used by qualified HVAC technicians only and is subject to revision without notice

KTIR24-H2 - Parts List No. P2TR1605

Above prices are subject to S&H charges

DATE 16-06

KTIR24-H2 - SPARE PARTS LIST

No.	Part Number	Part Name	Specifications	Stock No.	Qty.	Price	Remarks
17.3	17122500000342	Main control board assembly			1	\$180.06	
17.4	17400401000075	Wire joint			1	\$26.41	
17.6	11201007000283	Ambient temperature sensor assembly			1	\$4.40	
18	12222500000162	Cover of electronic control box I			1	\$10.60	
19	17317000A11464	Remote controller			1	\$43.13	WP-RG52F3/BGEFU1-01
21	11201005000006	Water level sensor assembly			1	\$17.50	
23	17400802000012	Drain pump			1	\$73.36	
24	12622500000006	Pump rubber washer			3	\$1.10	
25	12622500000013	Drain pipe			1	\$16.20	
26	12100509000068	Water pipe			1	\$2.42	
36	12117000000089	Bracket of remote Controller			1	\$0.88	
41	12022500000002	Accessory kit			1	\$53.55	

This information is to be used by qualified HVAC technicians only and is subject to revision without notice

KTIR24-H2 - Parts List No. P2TR1605

Above prices are subject to S&H charges

DATE 16-06