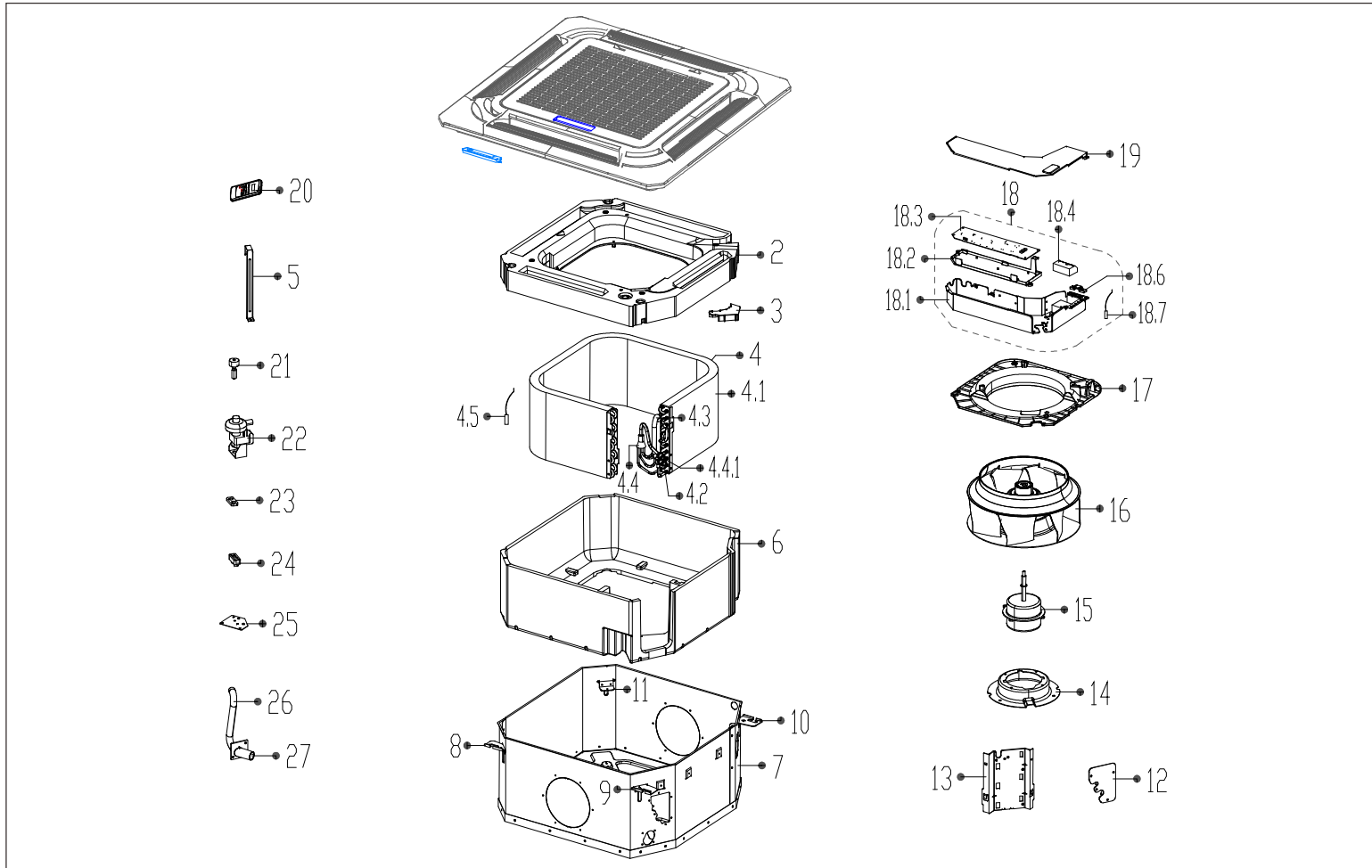


# EXPLODED DIAGRAM - PARTS VIEW

Sales Model: KTIR12-H2 | 62225-14500201

Power Supply: 208-230V~ 60Hz 1Phase



This information is to be used by qualified HVAC technicians only and is subject to revision without notice

KTIR12-H2 - Drawing No. D2TR1603

DATE 16-06

## KTIR12-H2 - SPARE PARTS LIST

No.	Part Number	Part Name	Specifications	Stock No.	Qty.	Price	Remarks
2	1282250000017	Water collector			1	\$128.58	
3	1212250000022	Wire box			1	\$0.66	
4	15822500000150	Evaporator assembly			1	\$183.24	
4.1	15822500000173	Evaporator			1	\$188.94	
4.2	15500406000012	Copper nut			1	\$7.26	
4.3	15122500000226	Output pipe assembly			1	\$40.00	
4.4	15122500000277	Input pipe assembly			1	\$31.73	
4.4.1	15500406000016	Copper nut			1	\$2.64	
4.5	11201007000070	Pipe temperature sensor assembly			1	\$5.28	
5	12222500000093	Evaporator hang board			1	\$1.32	
6	12822500000005	Base foam assembly			1	\$36.86	
7	12222500000224	Chassis assembly			1	\$122.36	
8	12222500000191	Hook II			1	\$2.64	
9	12222500000192	Hook I			1	\$2.86	
10	12222500000190	Hook IV			1	\$2.86	
11	12222500000193	Hook III			1	\$2.64	
12	12122500000330	Pipe fixing board assembly			1	\$1.21	
13	12222500000197	Evaporator fixing board			1	\$5.06	
14	12222500000199	Fan motor fixing base			1	\$16.90	
15	11002015000069	Asynchronous motor			1	\$222.03	ZKFP-46-8-1
16	12100103000089	Centrifugal fan			1	\$112.14	
17	12122500000425	Ventilation ring			1	\$16.60	
18	17222500000027	Electronic control box assembly			1	\$228.12	
18.1	12222500000165	Electronic control box			1	\$21.10	

This information is to be used by qualified HVAC technicians only and is subject to revision without notice

KTIR12-H2 - Parts List No. P2TR1603

Above prices are subject to S&H charges

DATE 16-06

## KTIR12-H2 - SPARE PARTS LIST

No.	Part Number	Part Name	Specifications	Stock No.	Qty.	Price	Remarks
18.2	1212250000029	Insulation plate			1	\$5.94	
18.3	17122500000307	Main control board assembly			1	\$179.58	
18.4	17400401000075	Wire joint			1	\$26.41	
18.6	12200203000041	Clip			1	\$1.54	
18.7	11201007000283	Ambient temperature sensor assembly			1	\$4.40	
19	12222500000209	Cover of electronic control box			1	\$11.20	
20	17317000A11464	Remote controller			1	\$43.13	WP-RG52F3/BGEFU1-01
21	17400511000015	Water level switch			1	\$19.40	
22	11001010000063	Drain pump			1	\$73.36	
23	12622500000005	Drain pump rubber washer			1	\$4.51	
24	12622500000003	Drain pump rubber washer II			1	\$0.44	
25	12222500000352	Drain pump installation base			1	\$0.88	
26	12622500000012	Drain pipe			1	\$16.20	
27	12100510000019	Drain connecting pipe			1	\$1.76	
38	12117000000089	Bracket of remote Controller			1	\$0.88	
43	12026200A00001	Accessory kit			1	\$73.53	

This information is to be used by qualified HVAC technicians only and is subject to revision without notice

KTIR12-H2 - Parts List No. P2TR1603

Above prices are subject to S&H charges

DATE 16-06