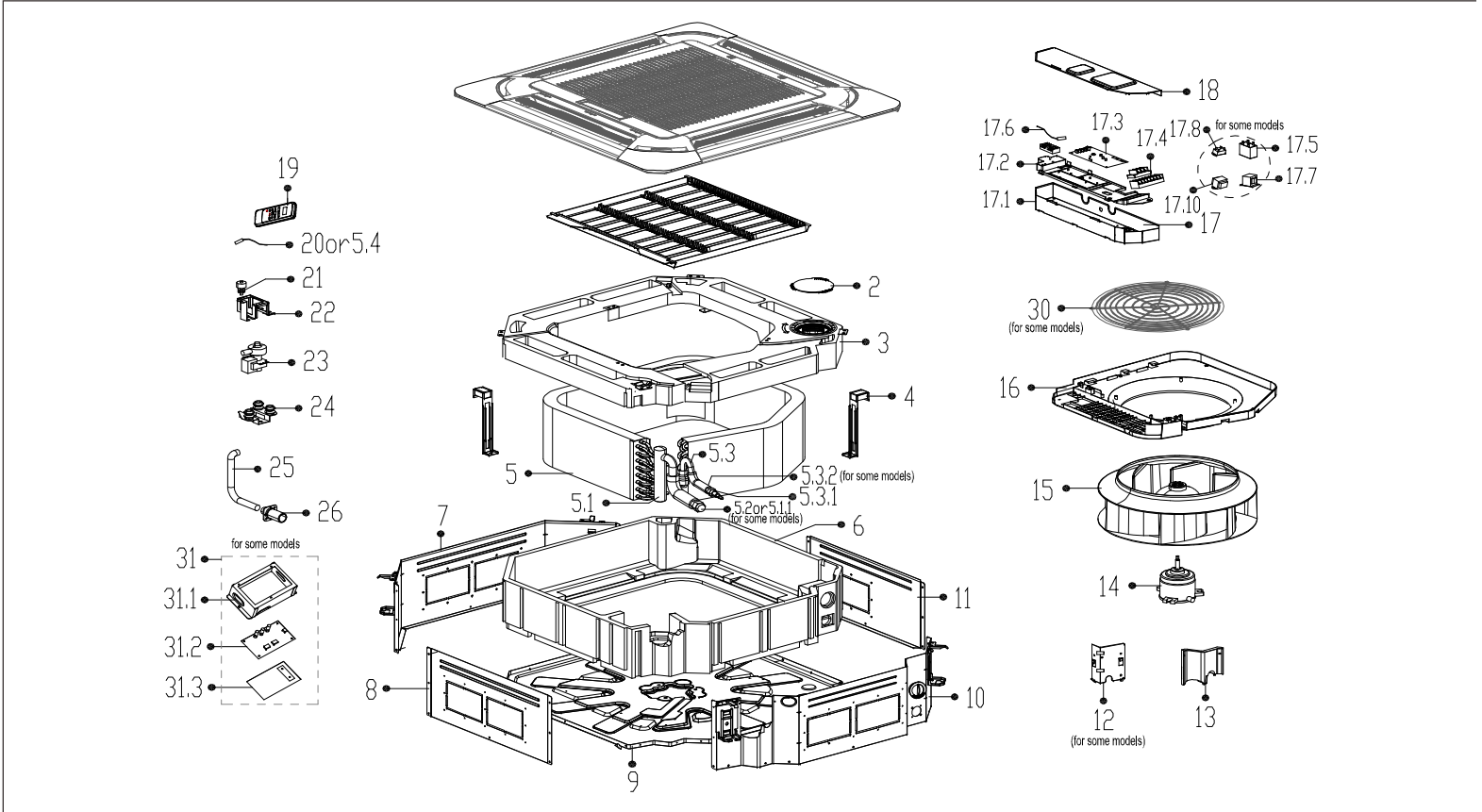


# EXPLODED DIAGRAM - PARTS VIEW

**Sales Model:** KTIR048-H2G1 | (62225-52237105)

**Power Supply:** 208-230V / 1ph / 60Hz



This information is to be used by qualified HVAC technicians only and is subject to revision without notice

KTIR018-H2G1 - Drawing No. D5TR180103

DATE 18-01

## KTIR048-H2G1 - SPARE PARTS LIST

No.	Part Number	Description	Specifications	Stock No.	Qty.	Price	Remarks
2	12122500000025	Cover subassembly			1	\$1.20	
3	12822500000059	Foam tray subassy for condensate water			1	\$204.38	
4	12222500000090	Evaporator fixing hanger			2	\$5.25	
5	15822500A02964	Evaporator assembly			1	\$462.53	
5.1	15122500000647	Evaporator outlet pipe subassembly			1	\$118.58	
5.3	15122500000646	Evaporator inlet pipe subassembly			1	\$132.60	
6	12822500000009	Base foam subassembly			1	\$93.10	
7	12222500000147	Coaming			1	\$55.10	
8	12222500000146	Coaming			1	\$29.52	
9	12222500000113	Chassis Subassembly			1	\$128.27	
10	12222500000127	Coaming			1	\$54.30	
11	12222500000152	Coaming			1	\$28.20	
13	12122500000331	Pipe fixing board subassembly			1	\$4.50	
14	11002015000187	Brushless DC Motor			1	\$276.66	ZKFN-170-8-1
15	12100103000142	centrifuge fan			1	\$177.08	LX-476*170*12-7N
16	12122500000422	Ventilation ring			1	\$61.60	
17	17222500002100	Electronic control box subassembly			1	\$294.90	
17.1	12222500000119	Electronic control box			1	\$20.28	
17.2	12122500000029	Insulation plate			1	\$7.95	
17.3	17122500002471	Main control board subassembly			1	\$266.78	
17.4	17400401000075	Terminal			1	\$13.32	JXZ-PT5H-A
17.6	11201007000283	Room Temperature Sensor			1	\$6.30	
17.7	17400306000070	Reactor			1	\$71.00	R05094A
18	12222500000162	Electrical Control Box Cover Subassy			1	\$15.96	

This information is to be used by qualified HVAC technicians only and is subject to revision without notice

KTIR018-H2G1 - Parts List No.P5TR180103

Above prices are subject to S&H charges

DATE 18-01

## KTIR048-H2G1 - SPARE PARTS LIST

No.	Part Number	Description	Specifications	Stock No.	Qty.	Price	Remarks
19	17317000A06740	Remote controller			1	\$50.80	RG57A6/BGEFU1
20	11201007000006	Pipe Temperature Sensor			1	\$9.30	
20	11201007000266	Pipe Temperature Sensor			1	\$12.45	
21	11201005000006	Water Level Sensor			1	\$23.28	
22	12122500001147	water pump installation support			1	\$4.65	
23	17400802000012	Water pump			1	\$92.57	
24	12622500000006	Drain pump rubber washer			3	\$1.50	
25	12622500000013	Drain pipe			1	\$19.68	
26	121005090000068	Water pipe			1	\$3.15	
31	17222500000195	Electronic control box subassembly			1	\$208.88	
31.1	12223000000052	Electronic control box			1	\$8.40	
31.2	17122500000770	Inverter control board subassembly			1	\$182.70	
31.3	11203803000154	Radiator			1	\$30.36	
36	12117000002114	Bracket of remote Controller			1	\$4.50	
41	12022500000002	Accessory kit			1	\$68.60	

This information is to be used by qualified HVAC technicians only and is subject to revision without notice

KTIR018-H2G1 - Parts List No.P5TR180103

Above prices are subject to S&H charges

DATE 18-01