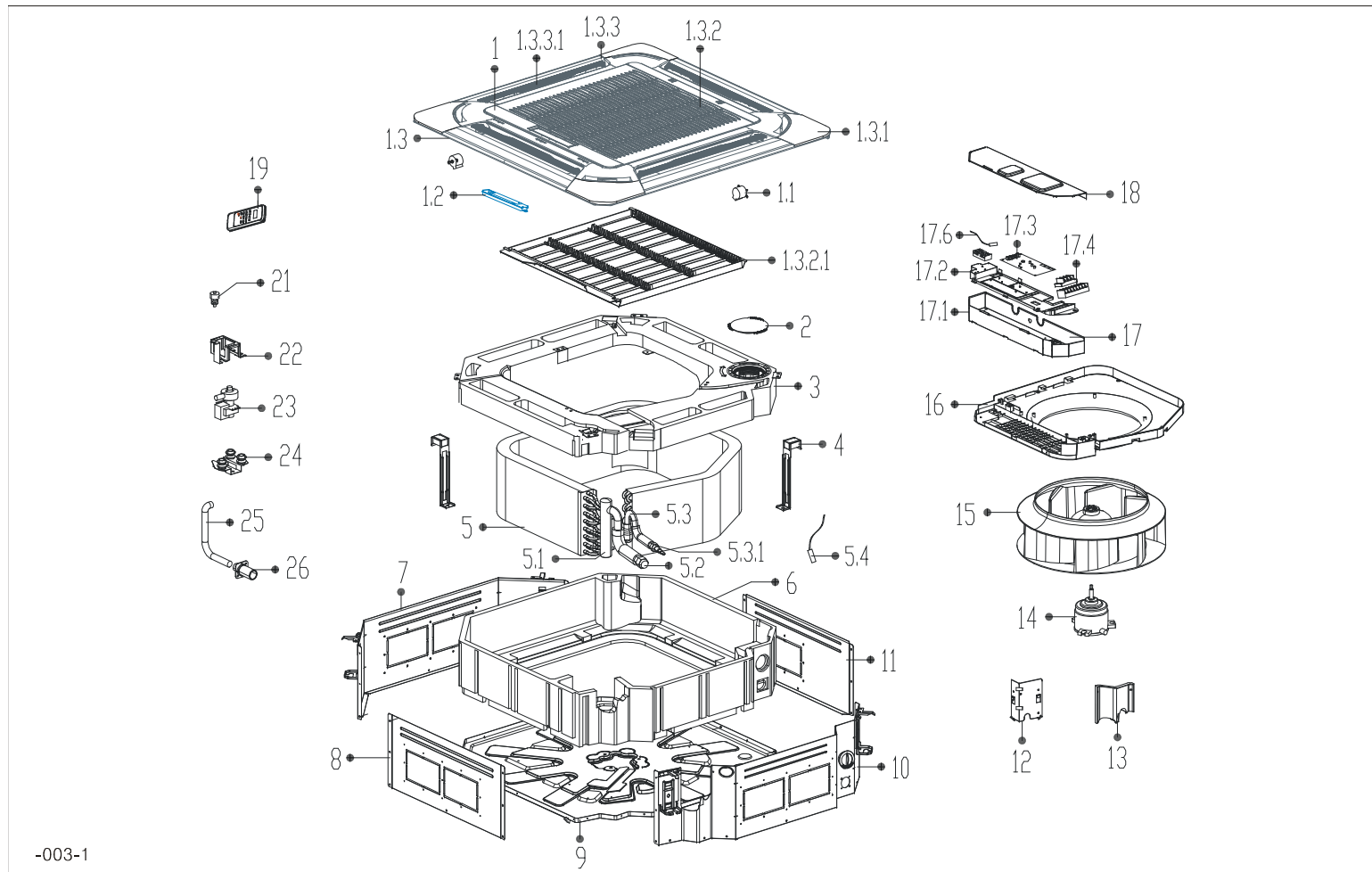


EXPLODED DIAGRAM - PARTS VIEW

Sales Model: KTIM036-H2 | 220042701230

Power Supply: 208-230V~ / 1ph / 60Hz



-003-1

This information is to be used by qualified HVAC technicians only and is subject to revision without notice

KTIM036-H2 - Drawing No. D2TM1405

DATE 14-07

KTIM036-H2 - SPARE PARTS LIST

No.	Part Number	Part Name	Specifications	Stock No.	Qty.	Price	Remarks
1	201109990017	Panel assembly			1		
1.1	202400100007	Louver motor			2		MP35H
1.2	203342890005	Display box assembly			1		
1.3	P0000449603	Panel assembly			1		
1.3.1	P0000449698	Cover assembly of installation plate			4		
1.3.2	P0000449689	Air inlet grille assembly			1		
1.3.2.1	201109901903	Air filter			1		
1.3.3	P0000449696	Transmission framework			2		
1.3.3.1	P0000449731	Louver			2		
2	201142790001	Cover			1		
3	202242790002	Foam tray assembly for condenser water			1		
4	201242890006	Evaporator fixing hanger			2		
5	201542890054	Evaporator assembly			1		
5.1	201642890046	Output pipe assembly			1		
5.2	201600320003	Copper nut			1		7/8"-14UNF
5.3	201642890048	Input pipe assembly			1		
5.3.1	201600320001	Copper nut			1		5/8"-18UNF-2B
5.4	202440500004	Pipe temperature sensor assembly			1		
6	202242790001	Base foam assembly			1		
7	201242790007	Board assembly III			1		
8	201242790004	Board assembly I			1		
9	201242590012	Chassis assembly			1		
10	201242790009	Board assembly II			1		
11	201242790003	Board assembly IV			1		

This information is to be used by qualified HVAC technicians only and is subject to revision without notice

KTIM036-H2 - Parts List No. P2TM1405

Above prices are subject to S&H charges

DATE 14-07

KTIM036-H2 - SPARE PARTS LIST

No.	Part Number	Part Name	Specifications	Stock No.	Qty.	Price	Remarks
12	201242790011	Evaporator fixing board			1		
13	201142790002	Pipe fixing board assembly			1		
14	202400300529	Asynchronous motor			1		WZDK124-38G
15	201100100846	Fan assembly			1		
16	201142790004	Ventilation assembly			1		
17	203342890026	Electronic control box assembly			1		
17.1	201242590004	Electronic control box			1		
17.2	201142590002	Insulation plate			1		
17.3	201342891521	Main control board assembly			1		
17.4	202301450125	Wire joint			1		
17.4	202301400488	Wire joint			1		
17.6	202440120100	Ambient temperature sensor assembly			1		
18	201242590023	Cover of electronic control box I			1		
19	203355091534	Remote controller			1		RG05F2/BGEU1
20	202301300804	Pipe temperature sensor			1		
21	202301310051	Water level sensor assembly			1		
22	201242990003	Water Pump installation bracket assembly			1		
23	202400600203	Drain pump			1		
24	202742000002	Pump rubber washer			3		
25	202856001093	Drain pipe			1		
25	202742590002	Drain pipe			1		
26	201142500032	Water pipe			1		

This information is to be used by qualified HVAC technicians only and is subject to revision without notice

KTIM036-H2 - Parts List No. P2TM1405

Above prices are subject to S&H charges

DATE 14-07