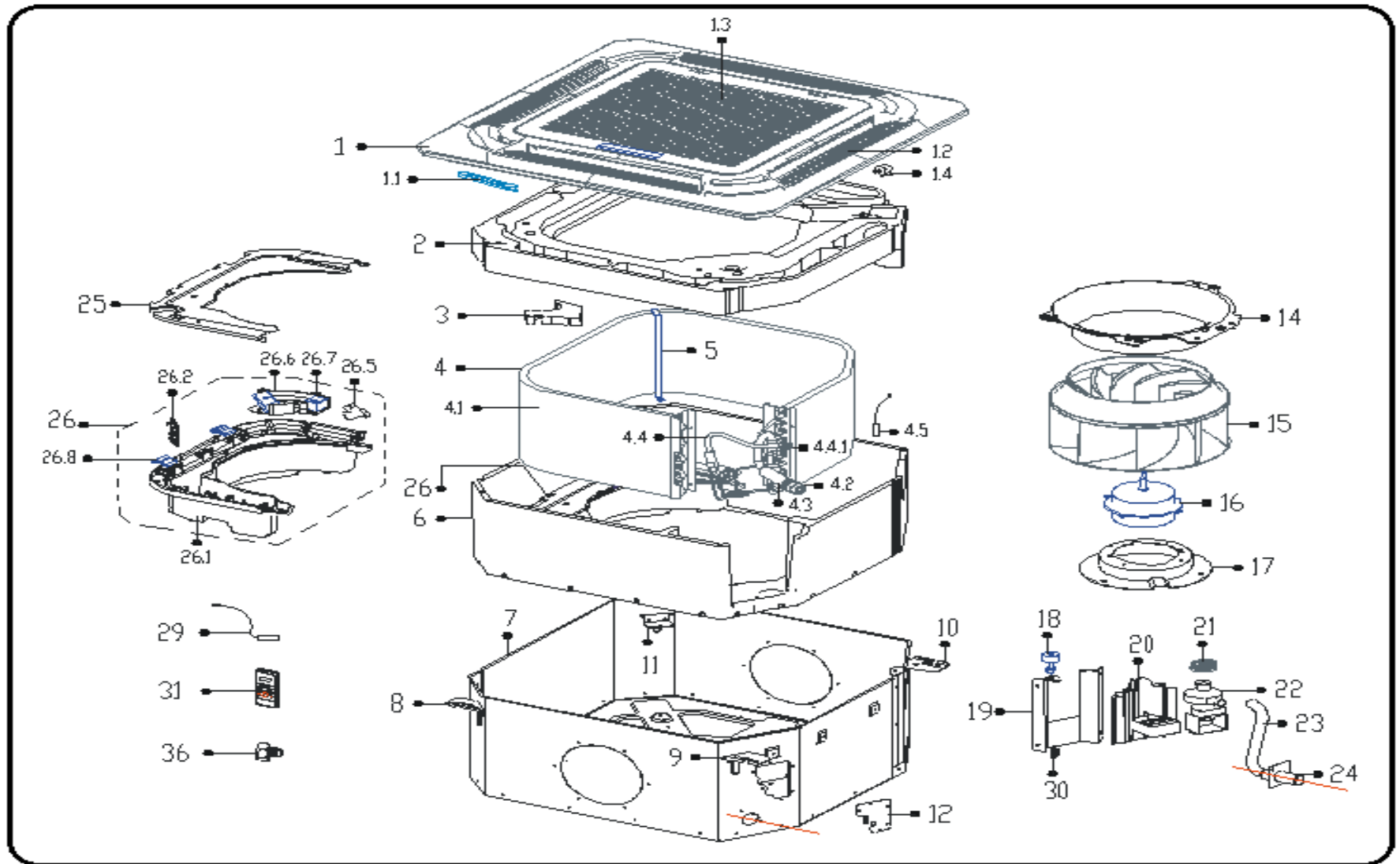


EXPLODED DIAGRAM - PARTS VIEW

Model : KTIM018-H2
Power Supply : 208-230V~ 60Hz 1Phase

M48A



This information is to be used by qualify AC technicians only

KTIM1816- Drawing No. D2IT16181301

Above information subject to revision without notice

DATE 13-01

SPARE PART LIST

Item No.	Part No.	Part Name	Specifications	Stock No.	Qty	Price	Remarks
1	201109991821	Panel		M48A1821	1	\$ 151.41	
1.1	203342090008	Display box assembly		M48A0008	1	\$ 29.93	
1.2	201109991797	Horizontal louver		M48A1797	4	\$ 6.27	
1.3	20000453127	Air filter		M48A127	1	\$ -	
1.4	202400280001	Louver motor		M48A0001	1	\$ 24.51	
2	202280490006	Water collector		M48A0006	1	\$ -	
3	201180490047	Wire box		M48A0047	1	\$ 3.14	
4	201542490008	Evaporator assembly		M48A0008	1	\$ 282.96	
4.1	201542490007	Evaporator		M48A0007	1	\$ 259.00	
4.2	201600320002	Copper nut		M48A0002	1	\$ 9.41	
4.3	201642490022	Output pipe assembly		M48A0022	1	\$ 40.76	
4.4	201642490024	Input pipe assembly		M48A0024	1	\$ 48.71	
4.4.1	201600320000	Copper nut		M48A0000	1	\$ 3.14	
4.5	202301300445	Pipe temperature sensor assembly		M48A0445	1	\$ 6.27	
5	201280490336	Evaporator hang board		M48A0336	1	\$ 3.14	
6	202280490005	Base foam assembly		M48A0005	1	\$ -	
7	201242390003	Chassis assembly		M48A0003	1	\$ 127.17	
8	201280490483	Hook II		M48A0483	1	\$ -	
9	201280490482	Hook I		M48A0482	1	\$ -	
10	201280490485	Hook IV		M48A0485	1	\$ -	
11	201280490484	Hook III		M48A0484	1	\$ -	
12	201142390001	Pipe fixing board assembly		M48A0001	1	\$ -	

to be used by qualified technicians only

KTIM1816- Part list No. P2IT16181301

Specifications are subject to revision without notice

Drawing No. D2IT16181301

Prices are subject to S & H charges

DATE 13-01

SPARE PART LIST

Item No.	Part No.	Part Name	Specifications	Stock No.	Qty	Price	Remarks
14	201142390003	Ventilation ring		M48A0003	1	\$ 24.51	
15	201100110001	Centrifugal fan		M48A0001	1	\$ 127.17	
16	202400300052	Asynchronous motor		M48A0052	1	\$ 270.36	
17	201280490338	Fan motor fixing base		M48A0338	1	\$ 27.22	
18	202301800916	Water level switch		M48A0916	1	\$ 22.95	
19	201280490337	Evaporator fixing board		M48A0337	1	\$ 9.41	
20	201180490049	Drain pump installation base		M48A0049	1	\$ 6.27	
21	201180490041	Guard against block up net		M48A0041	1	\$ 3.14	
22	202400600005	Drain pump		M48A0005	1	\$ -	
23	202742390001	Drain pipe		M48A0001	1	\$ 17.25	
24	201142400002	Drain connecting pipe		M48A0002	1	\$ -	
25	201280490491	Cover of electronic control box		M48A0491	1	\$ 20.10	
26	203342390099	Electronic control box assembly		M48A0099	1	\$ 194.60	
26.1	201180490043	Electronic control box		M48A0043	1	\$ 55.97	
26.2	201342390096	Main control board assembly		M48A0096	1	\$ 190.71	
26.5	201280490471	Insulation plate		M48A0471	1	\$ 3.14	
26.6	201180490044	Installation base of terminal		M48A0044	1	\$ 3.14	
26.7	202301420101	Wire joint		M48A0101	1	\$ 9.41	
26.8	201180490045	Clip		M48A0045	3	\$ 3.14	
29	202301310075	Ambient temperature sensor assembly		M48A0075	1	\$ 6.27	
30	202780490007	Rubber guard bush		M48A0007	1	\$ -	
31	203355091534	Remote controller		M48A1534	1	\$ 63.24	
36	201650290241	Transfer connecter		M48A0241	1	\$ 20.10	

This information is to be used by qualify technicians only

KTIM1816- Part list No. P2IT16181301

Above prices, numbers, specifications subject to revision without notice

Drawing No. D2IT16181301

Above prices are subject S & H charges

DATE 13-01