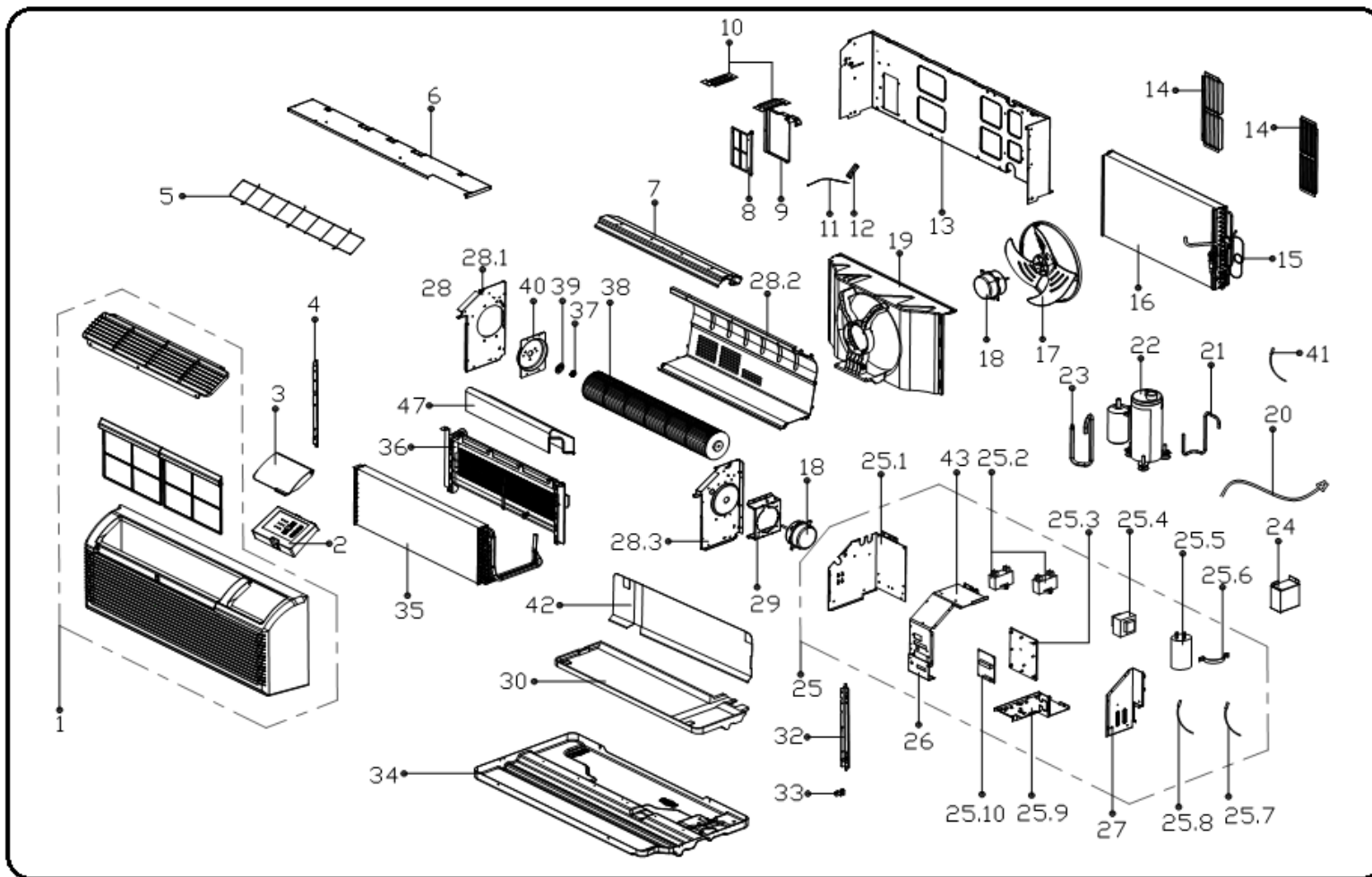


EXPLODED DIAGRAM - PARTS VIEW

Sales Model: KTHN015E5C210-BC | 220021801680

Power Supply: 208-230V~ / 1ph / 60Hz



This information is to be used by qualified HVAC technicians only and is subject to revision without notice

KTHN015E5C210-BC - Drawing No. D5HN1420

DATE 14-04

KTHN015E5C210-BC - SPARE PARTS LIST

No.	Part Number	Part Name	Specifications	Stock No.	Qty.	Price	Remarks
1	201121890174	Panel frame assembly			1	\$139.58	
2	203321790300	Display box assembly			1	\$43.61	
3	2011217A0824	Cover of control panel			1	\$6.27	
4	201221790255	Fixing board(left)			1	\$3.85	
5	201221890087	Air filter			1	\$15.80	
6	201221790247	Front cover assembly			1	\$26.51	
7	201221890086	Volute shell assembly			1	\$21.40	
8	201121790309	Fresh air door filter			1	\$1.54	
9	201221790259	Fresh air door			1	\$4.62	
10	201221790236	Linker for front separating board			2	\$1.32	
11	201221790240	Wire, fresh air door			1	\$1.32	
12	201221790239	Connecting rod of fresh air door			1	\$0.44	
13	201221790246	Front separating board			1	\$71.49	
14	202921790001	Horizontal louver			2	\$8.91	
15	201621890468	Capillary assembly			1		
16	201521890075	Condenser assembly			1	\$218.34	
17	201100300049	Axial flow fan			1	\$32.97	
18	202400401221	Asynchronous motor			1	\$97.44	YDK20-6BS
18	202400401222	Asynchronous motor			1	\$113.75	YDK40-4B
19	201121790307	Rear separating			1	\$53.38	
20	202402260339	Power cord			1	\$106.61	
21	201621890467	Discharge pipe			1		
22	201400611273	Compressor			1	\$311.56	ASM135N1UEZ
23	201621790936	Suction pipe assembly			1	\$35.34	

This information is to be used by qualified HVAC technicians only and is subject to revision without notice

KTHN015E3C210-BC - Parts List No. P5HN1420

Above prices are subject to S&H charges

DATE 14-05

KTHN015E5C210-BC - SPARE PARTS LIST

No.	Part Number	Part Name	Specifications	Stock No.	Qty.	Price	Remarks
24	201221790251	Wire box			1	\$5.72	
25	2033217A0599	Electronic control box assembly			1		
25.1	201221790252	Cover of electronic control box			1	\$16.60	
25.2	202401100353	Fan motor capacitor			1	\$5.50	3uF/450V
25.2	202401100004	Fan motor capacitor			1	\$2.42	1uF/450V
25.3	201121790312	Bracket of main control board I			1	\$4.29	
25.4	202300900724	Transformer			1		
25.5	202401000078	Capacitor of compressor			1	\$25.75	35uF/450V-50-P2(2000h)
25.6	201200100002	Capacitor clip			1	\$0.33	
25.7	202440220061	Ambient temperature sensor assembly			1	\$4.07	
25.8	202301300469	Pipe temperature sensor assembly			1	\$4.84	
25.9	201221790249	Electronic control box			1	\$7.26	
25.1	2013218A0094	Main control board assembly			1		
26	201221790289	Cover of electronic control box			1	\$2.42	
27	201221790250	Cover of electronic control box			1	\$8.03	
28	201221890085	Supporter of air passage			1	\$65.54	
28.1	201221790241	Supporter of air passage			1	\$16.50	
28.2	P0001397384	Volute shell			1		
28.3	201221790242	Supporter of air passage			1	\$16.80	
29	201221790245	Supporter assembly of fan motor			1	\$8.25	
30	202221790021	Water collector			1	\$8.58	
32	201221790256	Fixing board (right)			1	\$3.85	
33	201221790248	Hook of Panel			2	\$0.88	
34	201221790260	Chassis assembly			1	\$126.98	

This information is to be used by qualified HVAC technicians only and is subject to revision without notice

KTHN015E3C210-BC - Parts List No. P5HN1420

Above prices are subject to S&H charges

DATE 14-05

KTHN015E5C210-BC - SPARE PARTS LIST

No.	Part Number	Part Name	Specifications	Stock No.	Qty.	Price	Remarks
35	201521890083	Evaporator coil assembly			1	\$234.30	
36	2024031A0270	Electric heater			1		
37	202732390001	Bearing bracket			1	\$1.10	
38	201100200047	Cross flow fan			1	\$136.15	
39	201221790244	Cover of Bearing bracket			1	\$1.10	
40	201221790243	Wind baffle board			1	\$6.05	
41	202301310068	Discharge temperature sensor assembly			2	\$7.81	
42	202921790002	Protection board for Water collector			1	\$18.40	
43	2033218A0310	Dip switch board assembly			1		
47	201221790264	Protection board			1		

This information is to be used by qualified HVAC technicians only and is subject to revision without notice

KTHN015E3C210-BC - Parts List No. P5HN1420

Above prices are subject to S&H charges

DATE 14-05