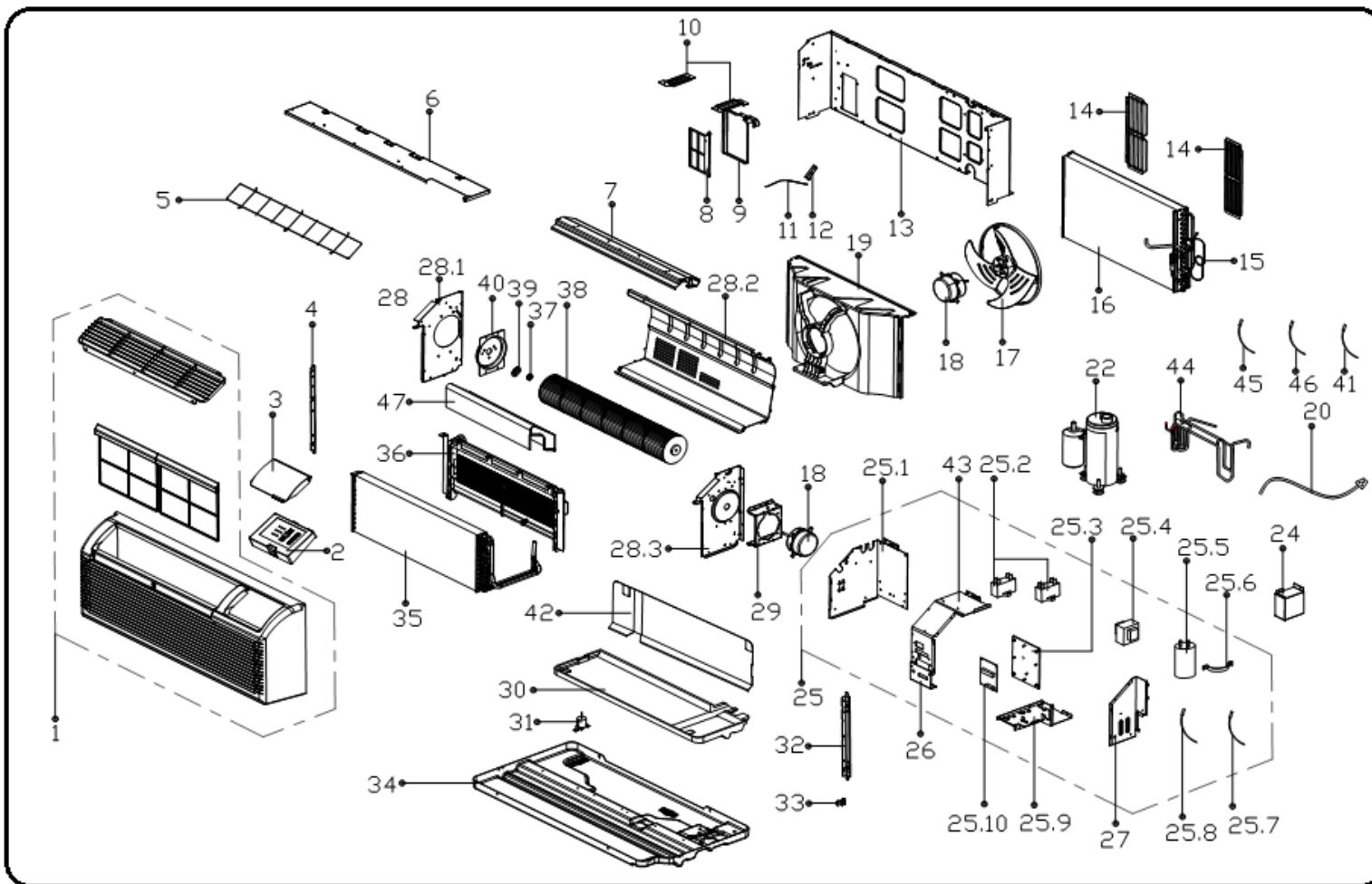


# EXPLODED DIAGRAM - PARTS VIEW

**Sale Model:** KTHN012E3H211-BC | 220021705090

**Power Supply:** 208-230V~ 60Hz 1Phase



This information is to be used by qualified HVAC technicians only and is subject to revision without notice

KTHN012E3H211-BC - Drawing No. D5HN1419

DATE 14-04

## KTHN012E3H211-BC - SPARE PARTS LIST

| No. | Part Number  | Part Name                         | Specifications | Stock No. | Qty. | Price    | Remarks        |
|-----|--------------|-----------------------------------|----------------|-----------|------|----------|----------------|
| 1   | 201121890174 | Panel frame assembly              |                |           | 1    | \$139.58 |                |
| 2   | 203321790300 | Display box assembly              |                |           | 1    | \$43.61  |                |
| 3   | 2011217A0824 | Cover of control panel            |                |           | 1    | \$6.27   |                |
| 4   | 201221790255 | Fixing board(left)                |                |           | 1    | \$3.85   |                |
| 5   | 201221890087 | Air filter                        |                |           | 1    | \$15.80  |                |
| 6   | 201221790247 | Front cover assembly              |                |           | 1    | \$26.51  |                |
| 7   | 201221890086 | Volute shell assembly             |                |           | 1    | \$21.40  |                |
| 8   | 201121790309 | Fresh air door filter             |                |           | 1    | \$1.54   |                |
| 9   | 201221790259 | Fresh air door                    |                |           | 1    | \$4.62   |                |
| 10  | 201221790236 | Linker for front separating board |                |           | 2    | \$1.32   |                |
| 11  | 201221790240 | Wire, fresh air door              |                |           | 1    | \$1.32   |                |
| 12  | 201221790239 | Connecting rod of fresh air door  |                |           | 1    | \$0.44   |                |
| 13  | 201221790246 | Front separating board            |                |           | 1    | \$71.49  |                |
| 14  | 202921790001 | Horizontal louver                 |                |           | 2    | \$8.91   |                |
| 15  | 201621790941 | Capillary assembly                |                |           | 1    | \$34.68  |                |
| 16  | 201521890081 | Condenser assembly                |                |           | 1    | \$231.18 |                |
| 17  | 201100300049 | Axial flow fan                    |                |           | 1    | \$32.97  |                |
| 18  | 202400401222 | Asynchronous motor                |                |           | 1    | \$113.75 | YDK40-4B       |
| 18  | 202400401221 | Asynchronous motor                |                |           | 1    | \$97.44  | YDK20-6BS      |
| 19  | 201121790307 | Rear separating                   |                |           | 1    | \$53.38  |                |
| 20  | 202402260318 | Power cord                        |                |           | 1    | \$106.61 |                |
| 22  | 201400600660 | Compressor                        |                |           | 1    | \$273.28 | PA108M1C-3FZDU |
| 24  | 201221790251 | Wire box                          |                |           | 1    | \$5.72   |                |
| 25  | 203321790281 | Electronic control box assembly   |                |           | 1    |          |                |

This information is to be used by qualified HVAC technicians only and is subject to revision without notice

KTHN012E3H211-BC - Parts List No. P5HN1419

Above prices are subject to S&H charges

DATE 14-05

## KTHN012E3H211-BC - SPARE PARTS LIST

| No.  | Part Number  | Part Name                           | Specifications | Stock No. | Qty. | Price    | Remarks                |
|------|--------------|-------------------------------------|----------------|-----------|------|----------|------------------------|
| 25.1 | 201221790252 | Cover of electronic control box     |                |           | 1    | \$16.60  |                        |
| 25.2 | 202401100353 | Fan motor capacitor                 |                |           | 1    | \$5.50   | 3uF/450V               |
| 25.2 | 202401100004 | Fan motor capacitor                 |                |           | 1    | \$2.42   | 1uF/450V               |
| 25.3 | 201121790312 | Bracket of main control board I     |                |           | 1    | \$4.29   |                        |
| 25.4 | 202300900727 | Transformer                         |                |           | 1    | \$44.46  |                        |
| 25.5 | 202401000078 | Capacitor of compressor             |                |           | 1    | \$25.75  | 35uF/450V-50-P2(2000h) |
| 25.6 | 201200100002 | Capacitor clip                      |                |           | 1    | \$0.33   |                        |
| 25.7 | 202440220061 | Ambient temperature sensor assembly |                |           | 1    | \$4.07   |                        |
| 25.8 | 202301300469 | Pipe temperature sensor assembly    |                |           | 1    | \$4.84   |                        |
| 25.9 | 201221790249 | Electronic control box              |                |           | 1    | \$7.26   |                        |
| 25.1 | 201321790144 | Main control board assembly         |                |           | 1    |          |                        |
| 26   | 201221790289 | Cover of electronic control box     |                |           | 1    | \$2.42   |                        |
| 27   | 201221790250 | Cover of electronic control box     |                |           | 1    | \$8.03   |                        |
| 28   | 201221890085 | Supporter of air passage            |                |           | 1    | \$65.54  |                        |
| 28.1 | 201221790241 | Supporter of air passage            |                |           | 1    | \$16.50  |                        |
| 28.2 | P0001397384  | Volute shell                        |                |           | 1    |          |                        |
| 28.3 | 201221790242 | Supporter of air passage            |                |           | 1    | \$16.80  |                        |
| 29   | 201221790245 | Supporter assembly of fan motor     |                |           | 1    | \$8.25   |                        |
| 30   | 202221790021 | Water collector                     |                |           | 1    | \$8.58   |                        |
| 31   | 202301610702 | Drain valve                         |                |           | 1    | \$27.17  |                        |
| 32   | 201221790256 | Fixing board (right)                |                |           | 1    | \$3.85   |                        |
| 33   | 201221790248 | Hook of Panel                       |                |           | 2    | \$0.88   |                        |
| 34   | 201221790237 | Chassis assembly                    |                |           | 1    | \$127.82 |                        |
| 35   | 201521790255 | Evaporator coil assembly            |                |           | 1    | \$227.16 |                        |

This information is to be used by qualified HVAC technicians only and is subject to revision without notice

KTHN012E3H211-BC - Parts List No. P5HN1419

Above prices are subject to S&H charges

DATE 14-05

## KTHN012E3H211-BC - SPARE PARTS LIST

| No. | Part Number  | Part Name                             | Specifications | Stock No. | Qty. | Price    | Remarks |
|-----|--------------|---------------------------------------|----------------|-----------|------|----------|---------|
| 36  | 202403101822 | Electric heater                       |                |           | 1    |          |         |
| 37  | 202732390001 | Bearing bracket                       |                |           | 1    | \$1.10   |         |
| 38  | 201100200047 | Cross flow fan                        |                |           | 1    | \$136.15 |         |
| 39  | 201221790244 | Cover of Bearing bracket              |                |           | 1    | \$1.10   |         |
| 40  | 201221790243 | Wind baffle board                     |                |           | 1    | \$6.05   |         |
| 41  | 202301310068 | Discharge temperature sensor assembly |                |           | 2    | \$7.81   |         |
| 42  | 202921790002 | Protection board for Water collector  |                |           | 1    | \$18.40  |         |
| 43  | 201221790254 | Cover of electronic control box       |                |           | 1    | \$11.10  |         |
| 44  | 201621791351 | 4-ways valve assembly                 |                |           | 1    |          |         |
| 45  | 202301300086 | Ambient temperature sensor assembly   |                |           | 1    | \$3.74   |         |
| 46  | 202301300079 | Pipe temperature sensor assembly      |                |           | 1    | \$5.61   |         |
| 47  | 201221790264 | Protection board                      |                |           | 1    |          |         |

This information is to be used by qualified HVAC technicians only and is subject to revision without notice

KTHN012E3H211-BC - Parts List No. P5HN1419

Above prices are subject to S&H charges

DATE 14-05