

## Specs - KTHN Series - Air Conditioner

Klimaïre Model Number			KTHN009E3C211-BC	KTHN012E3C211-BC	KTHN015E5C210-BC
MPN			MWDUP-09EEN1-MK3	MWDUP-12EEN1-MJ5	MWDUP-15EEN1-MI5
Power Supply		Ph-V-Hz	208-230 / 1 / 60	208-230 / 1 / 60	208-230 / 1 / 60
Cooling	Capacity	Btu/h	9000/9200	11800/12000	14500/14700
	Input	W	796/814	1124/1142	1526/1547
	Current	A	3.54/3.83	4.97/5.4	6.73/7.34
	EER	Btu/h/W	11,3	10,5	9,5
Heating (PTC)	Capacity	Btu/h	10700/11900	10700/11900	15360/17075
	Input	W	2850/3519	2850/3519	2850/3519
	Current	A	13.70/15.30	13.7/15.3	21.7/24
Heater		kW	3.5	3.5	5.0
Starting Current		A	18	25,9	39
Indoor Fan Motor	FLA / Output	A / W	0.155 / 21	0.155 / 21	0.155 / 21
Outdoor Fan Motor	FLA / Output	A / W	0.35 / 37	0.41 / 58	0.41 / 58
Min. Circuit Ampacity		A	20	20	25
Compressor	Type	Type	Rotary	ROTARY	ROTARY
	Capacity	Btu/h	7745/7847.6	10714/10850	13648
	Input	W	770/785	1045/1050	1310
	Rated current (RLA)	A	3.75/3.5	5.0/4.55	6,35
	Locked rotor Amp (LRA)	A	18	25,9	34,5
	Capacitor	uF	25	35	35
Indoor Side Fan Motor	Input	W	35,5	35,5	35,5
	Capacitor	uF	1	1	1
	Speed (Hi/Mi/Lo)	rpm	1110/1070/1040	1110/1070/1040	1110/1070/1040
Outdoor Side Fan Motor	Input	W	69	87	87
	Capacitor	uF	3	3	3
	Speed (Hi)	rpm	1400	1590	1590
Evaporator	Number of rows	n	2	3	3
	Number of circuits	n	2	3	4
Indoor Side Air Flow (Hi/Mi/Lo)		cfm	435/418/394	435/424/412	424/406/394
Indoor Side Noise Level (Hi/Mi/Lo)		dB(A)	50/48/46	53/50/45	53/50/45
Condenser	Air flow	cfm	435/417/394	435/423/411	388/376/364
	Number of rows	n	2	3	3
	Number of circuits	n	2	3	3
Outdoor Side Noise Level (Hi)		dB(A)	63	66	66
Refrigerant Type	Type / Qty.	oz	R410A /21.2 oz	R410A / 26.9 oz	R410A /28.9 oz
Design Pressure		psig	540/300	540/300	540/300
Connection wiring		AWG	12AWGx3	12AWGx3	12AWGx3
Plug Type		Type	LCDI 6-20P	LCDI 6-20P	LCDI 6-25P
Control Type		Type	Electronic Control	Electronic Control	Electronic Control
Operation Temp	Indoor (Cooling/Heating)	°F	62-90 / 32-80	62-90 / 32-80	62-90 / 32-80
	Outdoor (Cooling/Heating)	°F	64-109 / 23-76	64-109 / 23-76	64-109 / 23-76
Application Area (Cooling EPA)		sq. ft	350-400	450-500	550-700
Dimension (W*D*H)		in	42x21x16	42x21x16	42x21x16
Net/Gross weight		lb	104.7/130.1	117.9/143.3	117.9/143.3

Project Name:		Approval:	
Location:		Date:	
Engineer:		Construction:	
Submitted to:		Unit #:	
Submitted by:		Drawing #:	
Reference:			

Sales Model No.	KTHN009E3C211-BC
Production Code No.	KMWDUP-09EEN1-MK3



### PERFORMANCE DATA

Power supply		V/ph/Hz	208-230/1/60
<b>Cooling</b>			
Capacity		Btu/h	9000/9200
Input		W	796/814
Current		A	3.54/3.83
EER		Btu/W	11.3

### Heating (Heat pump)

Capacity		Btu/h	N/A
Input		W	N/A
Current		A	N/A
COP		W/W	N/A

### Heating (PTC)

			<b>PTC 1</b>
Capacity		Btu/h	8900/10900
Input		W	2850/3519
Current		A	13.7/15.3
MINIMUM CIRCUIT AMPACITY		A	20

### Compressor Electrical

Model			PA78G0C-3DZD
Type			Rotary
Brand			GMCC
Capacity		Btu/h	7745/7847.6
Input		W	770/785
Rated current (RLA)		A	3.75/3.5
Locked rotor Amp (LRA)		A	18
Thermal protector			B120-135-141C
Thermal protector position			EXTERNAL
Capacitor		uF	25
Refrigerant oil/oil charge		ml	ESTER OIL VG74.250ML
Connection wiring			12AWGx3
Plug type			LCDI 6-20P
Thermostat type			Electronic Control

### SYSTEM DATA

Design pressure		psig	300/540
Refrigerant type		oz	R-410A/21.16
Application area (Cooling EPA)		sq ft	350-400
Application area (Cooling Standard)		m <sup>2</sup>	12-18

### UNIT DIMENSION

Dimension(W*D*H) (without wall sleeve)	in	42x21x16
Packing (W*D*H)	in	45x25.4x19.3
Net/Gross weight	kg	47.5/59
	lb	104.7/130.1
Loading quantity 20' /40' /40'HQ	Pieces	72/144/180

### INDOOR SIDE DATA

Indoor side fan motor		
Model		YDK20-6BS
Brand		Welling
Input		35.5
FLA / OUTPUT	A / W	0.155 / 21
Capacitor	uF	1
Speed(Hi/Mi/Lo)	rpm	1110/1070/1040
<b>Air flow &amp; Noise level</b>		
Indoor side air flow (Hi/Mi/Lo)	m <sup>3</sup> /h	740/710/670
Indoor side air flow (Hi/Mi/Lo)	cfm	435/417/394
Ventilation (fresh air intake)	cfm	60
Dehumidification	pint/h	2.5
Indoor side noise level (Hi/Mi/Lo)	dB(A)	50/48/46

### OUTDOOR SIDE DATA

Outdoor side fan motor		
Model		YDK30-4B
Brand		Welling
Input		69
FLA / OUTPUT	A / W	0.35 / 37
Capacitor	uF	3
Speed	rpm	1400

### Air flow & Noise level

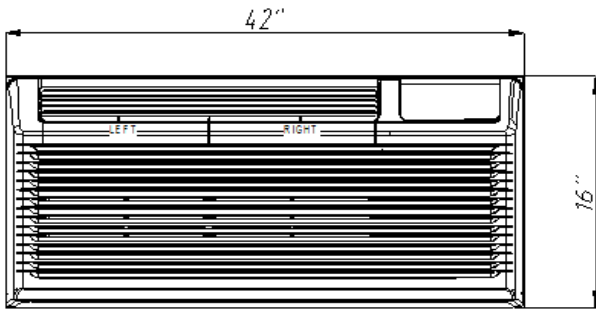
Outdoor side noise level	dB(A)	63
--------------------------	-------	----

### Operation temperature

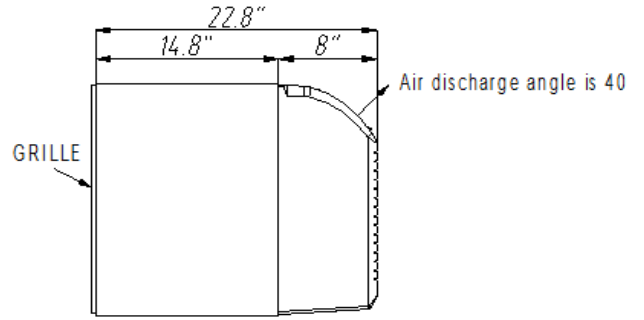
Indoor (cooling/ heating)	°C	17-32/0-27
	°F	62-90/32-80
Outdoor(cooling/heating)	°C	18-43/-5-24
	°F	64-109/23-76



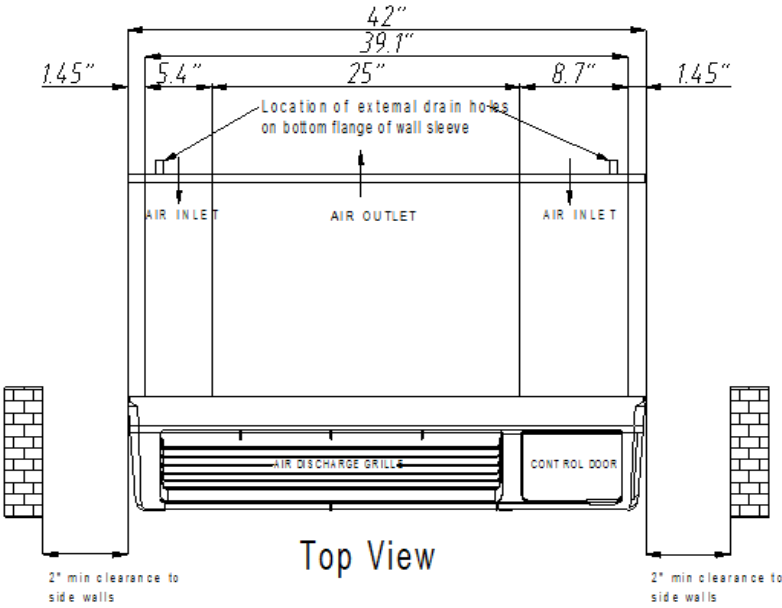
Packaged Terminal Air Conditioner (PTAC)  
KTHN Series  
208-230V



Front View



Side View



Top View