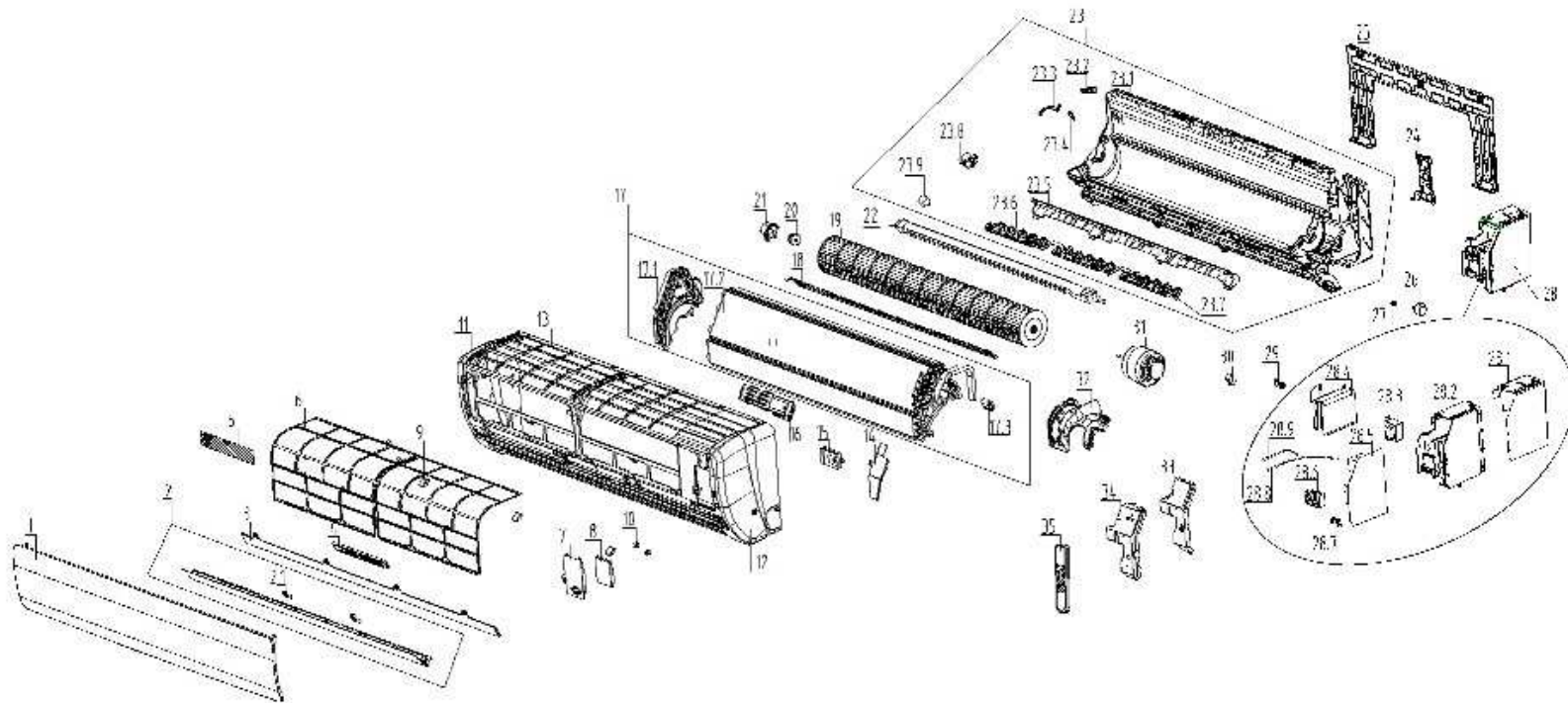


EXPLODED DIAGRAM - PARTS VIEW

Sales Model: KSIX024-H220-I
Power Supply: 208-230V / 1ph / 60Hz



This information is to be used by qualified HVAC technicians only and is subject to revision without notice

KSIX024-H220-I - Drawing No. D2IX1604

DATE 16-01

KSIX024-H220-I - SPARE PARTS LIST

No.	Part Number	Part Name	Specifications	Stock No.	Qty.	Price	Remarks
1	11320003002243	Panel			1		
2	11320005000295	Air louver			1		
2.1	11320080000007	Air louver			2		
3	11320094000055	Decoration board			1		
4	11222014000522	Display board			1	\$48.26	
5	11220508000145	Filter			2		
7	11320076000057	Medium frame wiring cover			1		
8	11321071000006	Medium frame wiring cover scale board			1		
9	11320096000075	Screw cover			3		
10	11320106000008	Panel clasp			4		
11	11320078000052	Left cover			1		
11	11320078000051	Left cover			1		
12	11320078000052	Right cover			1		
12	11320078000051	Right cover			1		
13	11320002000237	Medium frame			1		
14	11320065000020	Breakwater			1		
17	11224003000633	Evaporator assembly			1		
17.1	11320015000123	Evaporator left side carriage			1		
17.2	11224009000214	Evaporator assembly			1		
17.2	11224009000213	Evaporator assembly			1		
19	11220513000059	Cross flow fan			1	\$60.44	
20	11220551000003	Bearing assembly			1		
23	11220500000143	Chassis assembly			1		
23.1	11320001000194	Chassis			1		

This information is to be used by qualified HVAC technicians only and is subject to revision without notice

KSIX024-H220-I - Parts List No. P2IX1604

Above prices are subject to S&H charges

DATE 16-01

KSIX024-H220-I - SPARE PARTS LIST

No.	Part Number	Part Name	Specifications	Stock No.	Qty.	Price	Remarks
23.2	11333003000009	Stopple			1		
23.5	11320135000008	Air louver			1		
23.6	11320017000110	Left-right swing blade			3		
24	11320084000014	Pipe clamp			1		
25	11221500000029	Mounting plate assembly			1		
26	11230002000071	Air louver step motor			1	\$17.50	
27	11320079000012	Step motor shaft sleeve			1		
28	11222003002290	Main controller			1		
28.1	11321035000022	Controller box sheet-metal a			1		
28.2	11320057000088	Controller box			1		
28.4	11321035000023	Controller box sheet-metal b			1		
28.5	11222009002642	Main PCB			1	\$127.98	
28.6	11330037000158	Terminal board			1		
29	11320010000046	Power wire cable clamp			1		
31	11230005000017	Indoor fan motor			1	\$146.16	
32	11320052000035	Motor cover			1		
33	11320058000055	Cover of electric controller box			1		
34	11321020000029	Controller box metal plate			1		
35	11222001000112	Remote controller			1	\$51.85	

This information is to be used by qualified HVAC technicians only and is subject to revision without notice

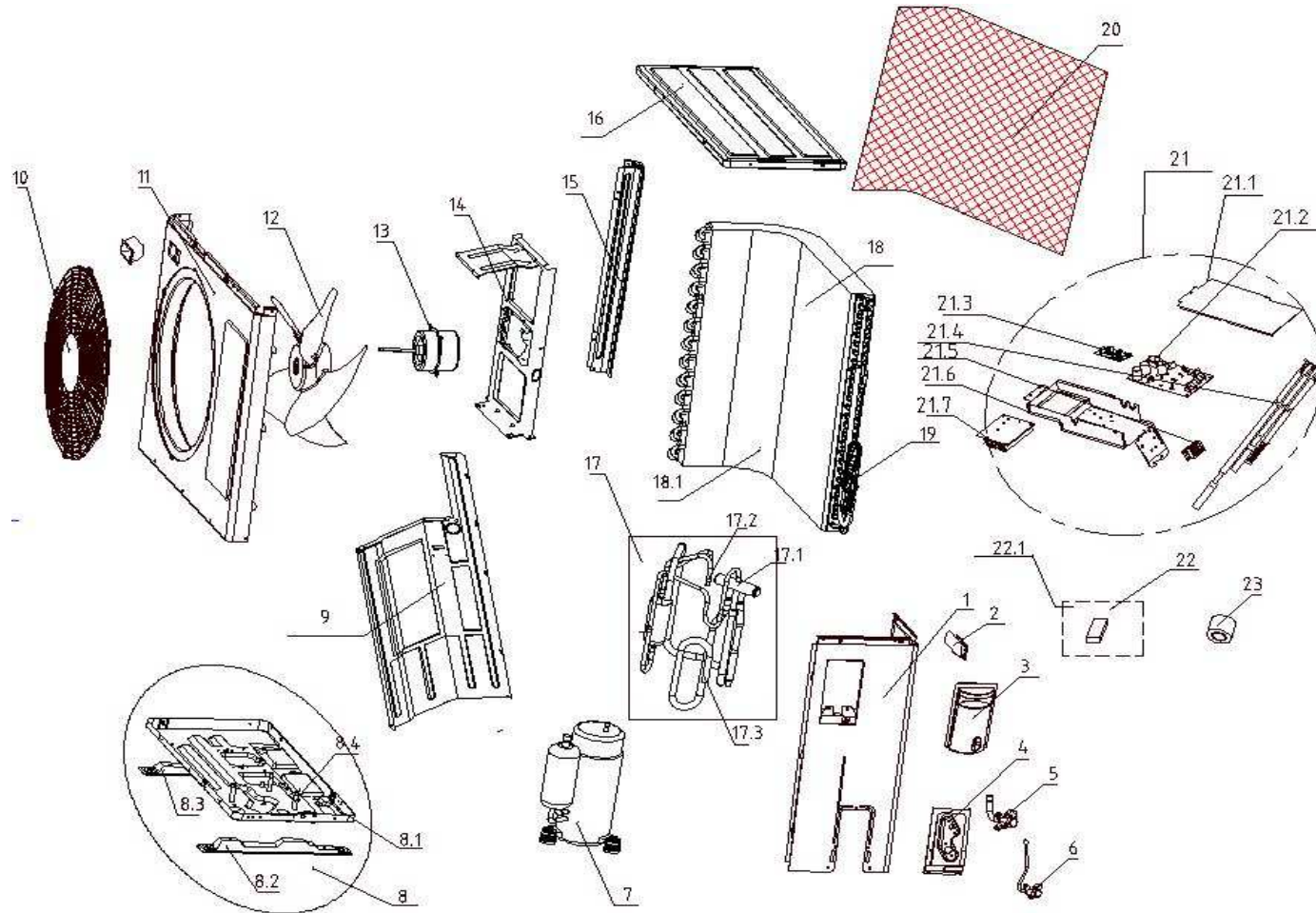
KSIX024-H220-I - Parts List No. P2IX1604

Above prices are subject to S&H charges

DATE 16-01

EXPLODED DIAGRAM - PARTS VIEW

Sales Model: KSIX024-H220-O
Power Supply: 208-230V / 1ph / 60Hz



This information is to be used by qualified HVAC technicians only and is subject to revision without notice

KSIX024-H220-O - Drawing No. D1IX1604

DATE 16-01

KSIX024-H220-O - SPARE PARTS LIST

No.	Part Number	Part Name	Specifications	Stock No.	Qty.	Price	Remarks
1	11321007000295	Right side panel			1		
2	11320097000001	Handle			2		
3	11321008000014	E-parts cover			1		
4	11321031000017	Valve plate			1		
5	11325042000023	Liquid valve			1		
6	11225517000037	Gas valve			1		
7	11321017000025	Compressor			1	\$511.89	
8	11221502000420	Chassis assembly			1		
8.1	11221502000421	Chassis			1		
8.2	11321024000007	Right base footing			1		
8.3	11321023000006	Left base footing			1		
8.4	14731005000019	Screw bolt			3		
9	11321025000011	Partition board			1		
10	11332009000049	Panel grille			1		
11	11321020000002	Front panel			1		
12	11320009000045	Axial flow fan			1	\$51.85	
13	11230004000258	OU fan motor			1	\$260.00	
14	11221510000018	Motor support			1		
15	11221502000420	Left side support plate			1		
16	11321008000014	Top cover			1		
17	11332009000049	4-way valve tubing assembly			1		
18	11224004001223	Condenser assembly			1		
18.1	11224006000282	Condenser			1		

This information is to be used by qualified HVAC technicians only and is subject to revision without notice

KSIX024-H220-O - Parts List No. P1IX1604

Above prices are subject to S&H charges

DATE 16-01

KSIX024-H220-O - SPARE PARTS LIST

No.	Part Number	Part Name	Specifications	Stock No.	Qty.	Price	Remarks
19	11325042000023	Capillary assembly			1		
20	11321031000017	Rear grille			1		
21	11222004000401	Main control unit			1		
21.2	11222031000531	Outdoor PCB			1	\$182.82	
21.3	11222040000185	Module board			1		
21.5	11330037000157	Terminal board			1		
21.6	11221512000035	Control box assembly			1		
21.7	11329031000021	Radiator			1		
22	11219005000167	Accessories bag			1		
22.1	14618079000002	Putty			1		
23	11320022000016	Tape			1		

This information is to be used by qualified HVAC technicians only and is subject to revision without notice

KSIX024-H220-O - Parts List No. P1IX1604

Above prices are subject to S&H charges

DATE 16-01