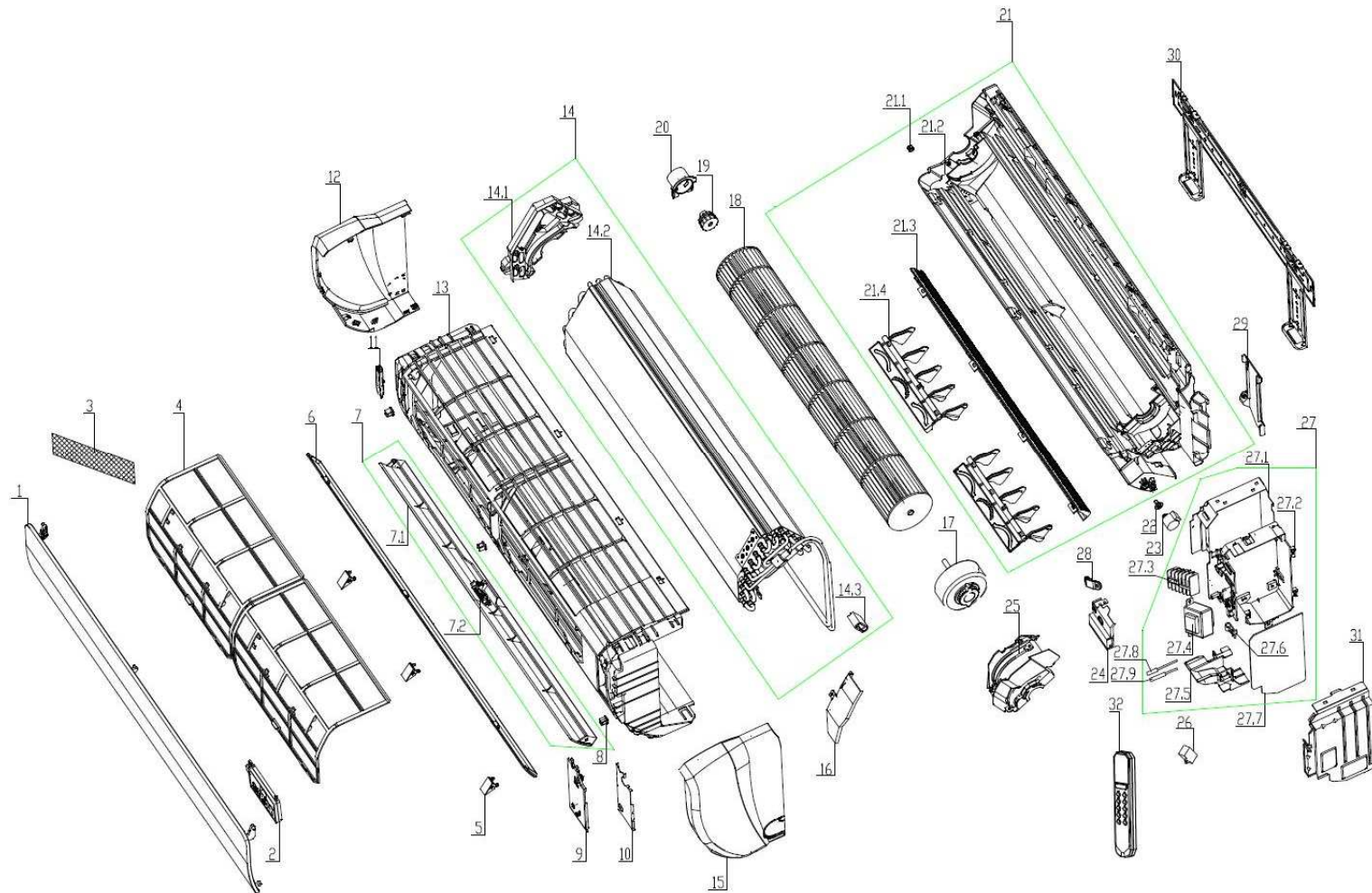


EXPLODED DIAGRAM - PARTS VIEW

Sales Model: KSIX009-H223-I
Power Supply: 208-230V / 1ph / 60Hz



KSIX009-H223-I - SPARE PARTS LIST

No.	Part Number	Part Name	Specifications	Stock No.	Qty.	Price	Remarks
1	11320003002260	Panel			1	\$34.68	
2	11222014000521	Display board			1	\$42.47	
4	11220508000142	Filter			2	\$6.71	
5	11320096000055	Screw cover			3	\$0.33	
8	11320106000008	Panel clasp			3		
9	11320076000063	Medium frame wiring cover			1	\$4.40	
11	11320043000032	Panel support bar			1		
12	11320035000010	Left cover			1		
13	11320002000198	Medium frame			1	\$42.47	
14	11224003000634	Evaporator assembly			1	\$170.58	
14.1	11320015000113	Evaporator left side carriage			1		
14.2	11224009000202	Evaporator assembly			1		
14.2	11224009000201	Evaporator assembly			1		
15	11320036000010	Right cover			1		
16	11320065000020	Breakwater			1		
17	11230005000018	Indoor fan motor			1		
18	11220513000055	Cross flow fan			1		
19	11220551000003	Bearing assembly			1		
21	11220500000165	Chassis assembly			1		
21.1	11320079000010	Chassis shaft sleeve			1		
21.2	11320001000216	Chassis			1		
21.3	11320135000015	Air louver			1		
21.4	11320017000118	Left-right swing blade			2		
22	11320079000013	Step motor shaft sleeve			1		

This information is to be used by qualified HVAC technicians only and is subject to revision without notice

KSIX009-H223-I - Parts List No. P2IX1601

Above prices are subject to S&H charges

DATE 16-01

KSIX009-H223-I - SPARE PARTS LIST

No.	Part Number	Part Name	Specifications	Stock No.	Qty.	Price	Remarks
23	11230002000058	Step motor			1		
25	11320052000032	Motor cover			1		
26	11330016000018	Anion generator			1		
27	11222003001955	Main controller			1		
27.1	11321012000006	Controller box sheet-metal B			1		
27.2	11320057000071	Controller box			1		
27.3	11330037000020	Terminal board			1		
27.7	11222009002605	Main PCB			1		
27.8	11329013000030	Temperature sensor			1		
27.9	11329013000027	Temperature sensor			1		
28	11320010000037	Power wire cable clamp			1		
29	11320084000015	Pipe clamp			1		
30	11321003000028	Mounting plate assembly			1		
31	11321012000005	Controller box sheet-metal A			1		
32	11222001000112	Remote controller			1	51.85	

This information is to be used by qualified HVAC technicians only and is subject to revision without notice

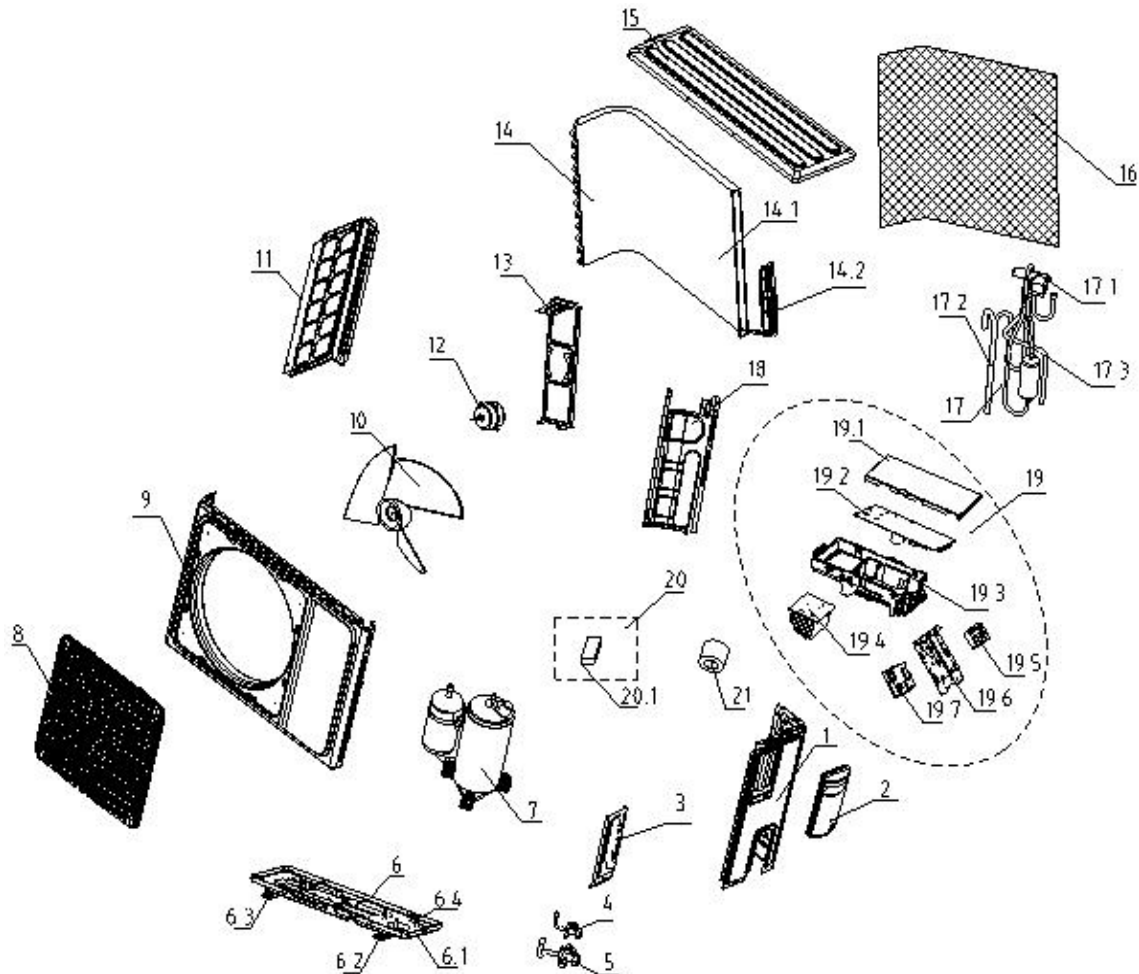
KSIX009-H223-I - Parts List No. P2IX1601

Above prices are subject to S&H charges

DATE 16-01

EXPLODED DIAGRAM - PARTS VIEW

Sales Model: KSIX009-H223-O
Power Supply: 208-230V / 1ph / 60Hz



This information is to be used by qualified HVAC technicians only and is subject to revision without notice

KSIX009-H223-O - Drawing No. D1IX1601

DATE 16-01

KSIX009-H223-O - SPARE PARTS LIST

No.	Part Number	Part Name	Specifications	Stock No.	Qty.	Price	Remarks
1	11321007000287	Right side panel			1		
2	11321008000014	E-parts cover			1		
3	11321031000027	Valve plate			1		
4	11325042000030	Liquid valve			1		
5	11325042000015	Gas valve			1		
6	11221502000442	Chassis assembly			1		
6.1	11321014000127	Chassis			1		
6.2	11321023000012	Right base footing			2		
6.3	11321023000012	Left base footing			2		
6.4	14731005000015	Screw bolt			3		
7	11223015000078	Compressor			1	\$309.36	
8	11321022000214	Panel grille			1		
9	11321005000075	Front panel			1		
10	11320009000049	Axial flow fan			1	\$24.30	
11	11321006000108	Left side support plate			1		
12	11230005000002	OU fan motor			1	\$85.26	
13	11321002000030	Motor support			1		
14	11224004001205	Condenser assembly			1		
14.1	11224006000383	Condenser			1		
14.2	11225506001306	Capillary assembly			1		
15	11321009000033	Top cover			1		
16	11332009000044	Carboard			1		
17	11225516000778	4-way valve tube			1		
17.1	11225509000038	4-way valve			1		

This information is to be used by qualified HVAC technicians only and is subject to revision without notice

KSIX009-H223-O - Parts List No. P1IX1601

Above prices are subject to S&H charges

DATE 16-01

KSIX009-H223-O - SPARE PARTS LIST

No.	Part Number	Part Name	Specifications	Stock No.	Qty.	Price	Remarks
17.2	11225504000524	Suction pipe assembly			1		
17.3	11225505000609	Discharge pipe assembly			1		
18	11321025000048	Partition board			1		
19	11222004000400	Main control unit			1		
19.1	11320058000057	Control box cover			1		
19.2	11222031000530	Outdoor PCB			1	\$242.23	
19.3	11320057000069	Control box			1		
19.4	11329031000033	Radiator			1		
19.5	11330037000139	Terminal board			1		
19.6	11321015000034	E-parts bracket			1		
20	11219005000166	Accessories bag			1		
20.1	14618079000002	Putty			1		
21	11320022000016	Tape			1		

This information is to be used by qualified HVAC technicians only and is subject to revision without notice

KSIX009-H223-O - Parts List No. P1IX1601

Above prices are subject to S&H charges

DATE 16-01