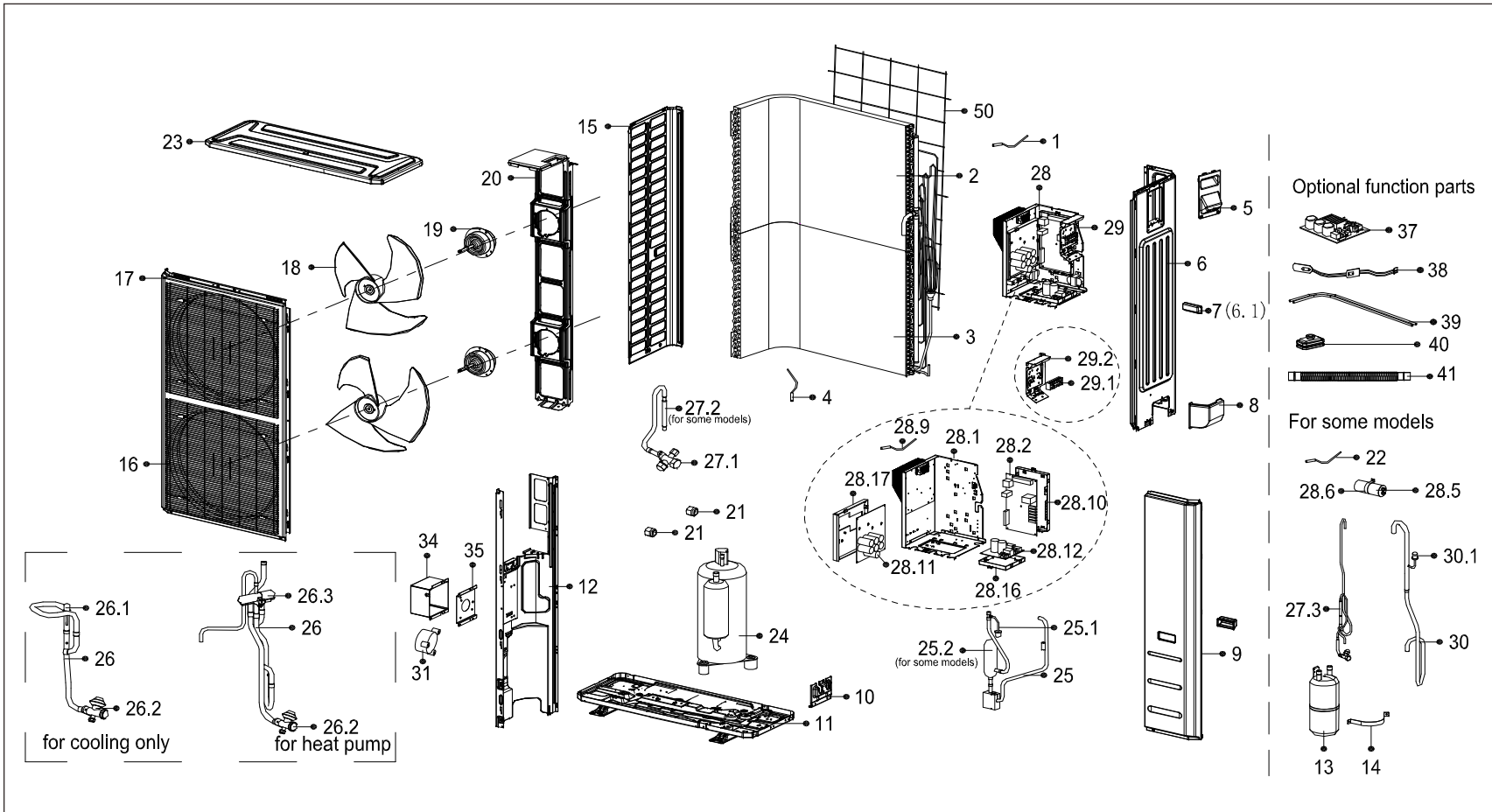


EXPLODED DIAGRAM - PARTS VIEW

Sales Model: KSIR060-H218

Power Supply: 208-230V/1ph/60Hz



This information is to be used by qualified HVAC technicians only and is subject to revision without notice

KSIR060-H218 - Drawing No. D1IH1718

DATE 18-04

KSIR060-H218 - SPARE PARTS LIST

No.	Part Number	Part Name	Specifications	Stock No.	Qty.	Price	Remarks
1	11201007000039	Room Temperature Sensor			1	\$4.73	
2	15823000A02557	Condenser assembly			1	\$486.36	
2	15823000A03436	Condenser assembly			1	\$480.59	
3	15823000A02557	Condenser assembly			1	\$486.36	
3	15823000A03436	Condenser assembly			1	\$480.59	
4	11201007000006	Pipe Temperature Sensor			1	\$6.82	
5	12222000004019	Big Handle			1	\$7.04	
6	12222200004215	Rear right clapboard assembly			1	\$96.46	
8	12122000014023	Water collector			1	\$9.35	
9	12222000006287	Front right clapboard assembly			1	\$103.11	
10	12222200002361	Valve plate			1	\$10.30	
11	12222000006290	Chassis assembly			1	\$126.28	
12	12222000005733	Partition board assembly			1	\$70.98	
13	15500508000009	Accumulator cylinder			1	\$118.93	ZYT-10
15	12222200002363	Left side plate assembly of cabinet			1	\$76.84	
16	12222000007904	Air outlet grille			2	\$59.16	
17	12222000007564	Front panel			1	\$130.68	
18	12100105000022	Axial flow fan			2	\$58.06	ZL-554*148*12-3KFN
19	11002015002241	Brushless DC Motor			2	\$216.30	ZKFN-85-8-22
20	12222000006288	Supporter subassembly of fan motor			1	\$80.64	
21	15500406000008	Copper nut			1	\$15.20	
21	15500406000010	Copper nut			1	\$6.16	
22	11201007000138	Discharge Temperature Sensor			1	\$8.03	
23	12222200002359	Top cover assembly			1	\$74.29	

This information is to be used by qualified HVAC technicians only and is subject to revision without notice

KSIR060-H218 - Parts List No. P1IH1718

Above prices are subject to S&H charges

DATE 18-04

KSIR060-H218 - SPARE PARTS LIST

No.	Part Number	Part Name	Specifications	Stock No.	Qty.	Price	Remarks
24	11103020000029	DC Inverter Rotary Compressor			1	\$784.00	ATQ420D1UMU
25	15123000008507	Discharge pipe assembly			1	\$121.92	
25.1	17400516000020	Pressure switch			1	\$32.59	YK-4.4/3.2
26	15423000003199	4-way Valve Assembly			1	\$263.43	
26.2	15500204000005	Gas valve			1	\$74.80	
26.3	15500216000681	4-way valve			1	\$168.72	
27	15423000002959	Liquid valve assembly			1	\$201.18	
27.1	15500208000026	Liquid valve			1	\$29.64	
27.3	15500213000245	Electronic expansion valve			1	\$133.62	
28	17222000026536	Electronic control box subassembly			1	\$1,245.23	
28.1	12222000006289	Installation plate of electric parts subassy			1	\$51.85	
28.2	17122000040617	Outdoor main control board subassembly			1	\$269.33	
28.9	11201007000157	Discharge Temperature Sensor			1	\$9.46	
28.1	12122000014342	Electronic installing box			1	\$18.30	WE01-11
28.11	17122000021908	Inverter control board subassembly			1	\$241.80	
28.12	17122000034910	Inverter module subassembly			1	\$638.79	
28.16	12122000014182	Electronic installing box			1	\$9.46	WE01-12
28.17	12122000014343	Electronic installing box			1	\$18.70	WE01-10
29	17223000003336	Terminal board subassembly			1	\$100.10	
29.1	17400401000082	Terminal			1	\$17.00	
29.1	17400401000085	Wire joint			1	\$22.50	
29.1	17400401000098	Terminal			1	\$4.84	
29.2	17223000001877	Terminal instalation subassembly			1	\$10.34	
30	15123000008516	Suction pipe assembly			1	\$73.50	

This information is to be used by qualified HVAC technicians only and is subject to revision without notice

KSIR060-H218 - Parts List No. P11H1718

Above prices are subject to S&H charges

DATE 18-04

KSIR060-H218 - SPARE PARTS LIST

No.	Part Number	Part Name	Specifications	Stock No.	Qty.	Price	Remarks
30.1	17400516000008	Pressure switch			1	\$30.78	YK-0.3/0.14
31	11201101000002	Power Factor Correction Inductance			1	\$200.30	HP-60A-500uH-FJ-B
34	12222000006284	Inductor Cover Assembly			1	\$20.70	
35	12222000006286	Installation base of inductance			1	\$4.84	
38	17402001000003	Crankcase electric heater			1	\$29.17	
39	17402002000043	Electric heating tube			1	\$88.83	
41	12100509000059	Drain pipe			1	\$3.96	
50	12222000007944	Rear net			1	\$52.62	

This information is to be used by qualified HVAC technicians only and is subject to revision without notice

KSIR060-H218 - Parts List No. P1IH1718

Above prices are subject to S&H charges

DATE 18-04