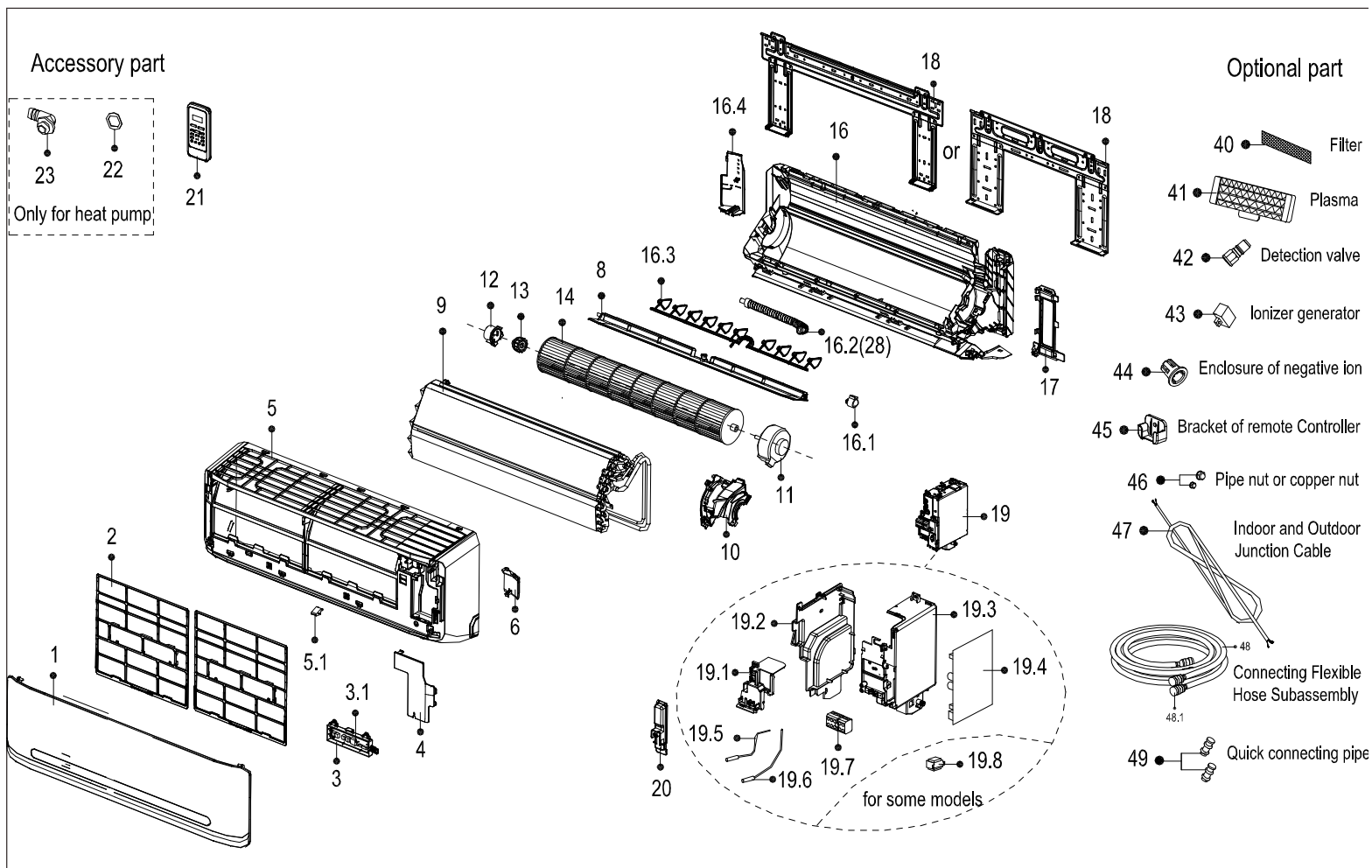


EXPLODED DIAGRAM - PARTS VIEW

Sales Model: KSIQ018-H216-IW

Power Supply: 208-230 V / 1ph / 60 Hz



This information is to be used by qualified HVAC technicians only and is subject to revision without notice

KSIQ018--H216-IW - Drawing No. D5IRQ1703

DATE 17-03

KSIQ018-H216-IW - SPARE PARTS LIST

| No. | Part Number | Part Name | Specifications | Stock No. | Qty. | Price | Remarks |
|------|----------------|--------------------------------------|----------------|-----------|------|----------|-------------|
| 1 | 12122000A27482 | Panel assembly | | | 1 | \$49.27 | |
| 2 | 12100204000397 | Air filter | | | 2 | \$9.90 | |
| 3 | 17222000A01170 | Display box subassembly | | | 1 | \$23.26 | |
| 3 | 17222000A17249 | Display box subassembly | | | 1 | \$61.51 | |
| 3.1 | 17122000006991 | Display board subassembly | | | 1 | \$21.89 | |
| 3.1 | 17122000A13927 | Display board subassembly | | | 1 | \$56.71 | |
| 4 | 12122000006755 | Cover of electrical equipment | | | 1 | \$4.22 | |
| 5 | 12122000002008 | Panel frame assembly | | | 1 | \$68.03 | |
| 5.1 | 12122000008242 | Screw cap | | | 1 | \$0.13 | |
| 6 | 12122000004592 | Right Cover Plate of Chassis | | | 1 | \$1.06 | |
| 8 | 12122000006359 | Horizontal louver | | | 1 | \$18.48 | |
| 9 | 15822000005498 | Evaporator assembly | | | 1 | \$187.92 | |
| 10 | 12122000005538 | Fan motor cover | | | 1 | \$4.88 | |
| 11 | 11002015000139 | Brushless DC Motor | | | 1 | \$122.76 | ZKFP-30-8-3 |
| 12 | 12122000000350 | Bearing holder | | | 1 | \$0.53 | |
| 13 | 12622000000006 | Bearing base | | | 1 | \$1.45 | |
| 14 | 12100102000131 | Cross flow fan | | | 1 | \$47.20 | GL-98*758-I |
| 16 | 12122000A26278 | Chassis assembly | | | 1 | \$157.32 | |
| 17 | 12122000000458 | Pipe clamp board | | | 1 | \$1.85 | |
| 18 | 12222000000026 | Installation plate | | | 1 | \$17.28 | |
| 19 | 17222000A48656 | Electronic control box subassembly | | | 1 | \$124.66 | |
| 19.1 | 12122000004577 | Electronic control box | | | 1 | \$1.72 | |
| 19.2 | 12122000004639 | Left cover of electronic control box | | | 1 | \$6.73 | |

This information is to be used by qualified HVAC technicians only and is subject to revision without notice

KSIQ018-H216-IW - Parts List No. P5IRQ1703

Above prices are subject to S&H charges

DATE 17-03

KSIQ018-H216-IW - SPARE PARTS LIST

| No. | Part Number | Part Name | Specifications | Stock No. | Qty. | Price | Remarks |
|------|----------------|---------------------------------------|----------------|-----------|------|----------|----------------|
| 19.3 | 1212200004632 | Right cover of electronic control box | | | 1 | \$10.69 | |
| 19.4 | 17122000018658 | Main control board subassembly | | | 1 | \$86.02 | |
| 19.5 | 11201007000085 | Room Temperature Sensor | | | 1 | \$4.75 | |
| 19.6 | 11201007000322 | Pipe Temperature Sensor | | | 1 | \$4.49 | |
| 19.7 | 17400401000006 | Wire joint | | | 1 | \$9.64 | |
| 20 | 12122000005020 | Cover of electronic control box | | | 1 | \$0.66 | |
| 21 | 17317000A17821 | Remote control | | | 1 | \$43.21 | RG57A6/BGEFU1 |
| 22 | 12600701000039 | Seal ring | | | 1 | \$0.13 | |
| 23 | 12100509000061 | Drain hose | | | 1 | \$0.40 | |
| 28 | 12100501000032 | Drain Hose | | | 1 | \$4.75 | |
| 40 | 12100204000685 | Air fresh filter | | | 1 | \$1.06 | |
| 48 | 15122000013928 | Connection pipe assembly | | | 1 | \$537.98 | |
| 48.1 | 15500305000004 | Quick connecting pipe | | | 1 | \$100.63 | KSJT-FB12N(YH) |
| 48.1 | 15500305000011 | Quick connecting pipe | | | 1 | \$92.82 | KSJT-FB06N(YH) |

This information is to be used by qualified HVAC technicians only and is subject to revision without notice

KSIQ018-H216-IW - Parts List No. P5IRQ1703

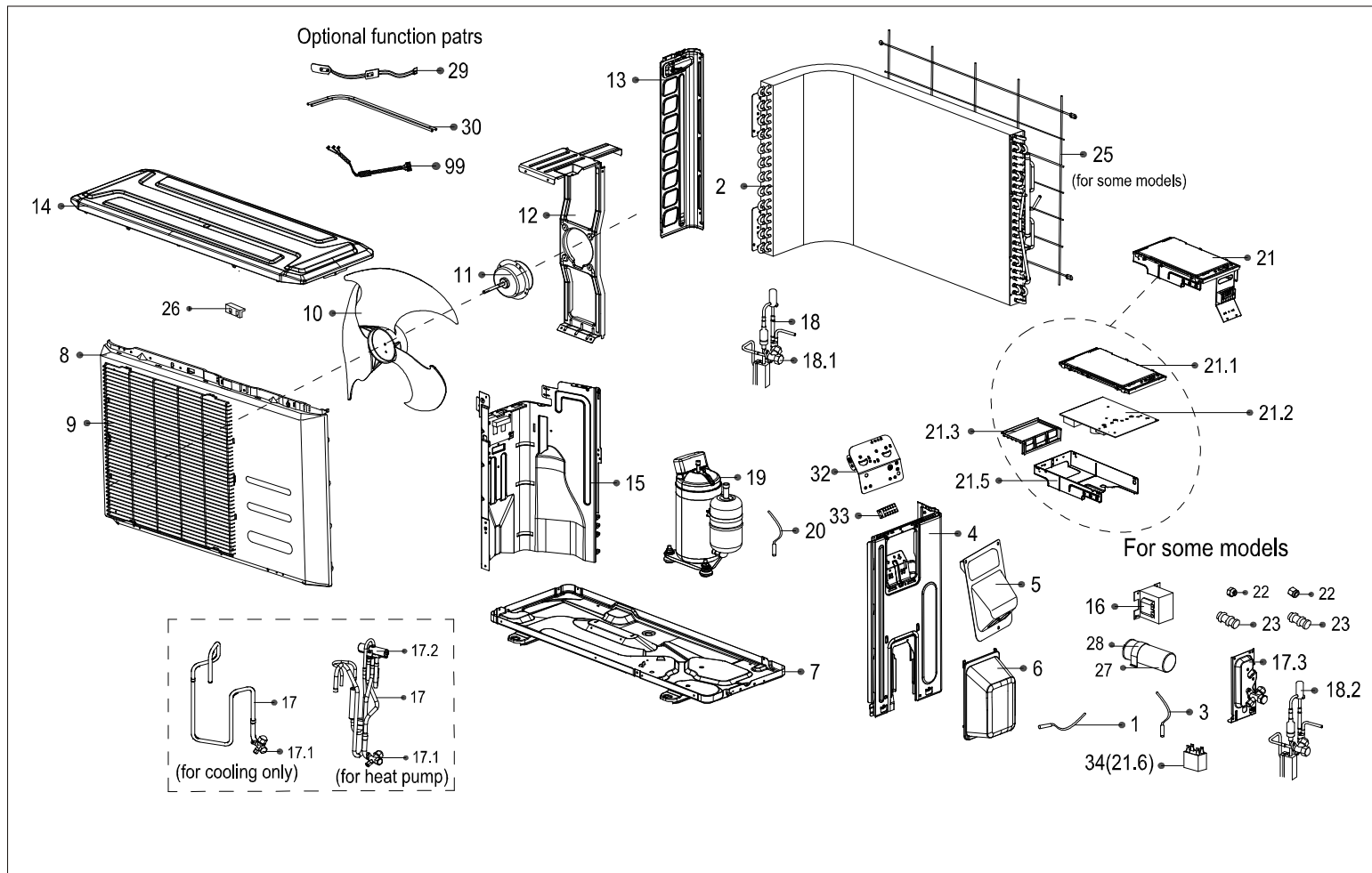
Above prices are subject to S&H charges

DATE 17-03

EXPLODED DIAGRAM - PARTS VIEW

Sales Model: KSIQ018-H216-O

Power Supply: 208-230 V / 1ph / 60 Hz



This information is to be used by qualified HVAC technicians only and is subject to revision without notice

KSIQ018--H216-O - Drawing No. D51RQ1704

DATE 17-03

KSIQ018-H216-O - SPARE PARTS LIST

| No. | Part Number | Part Name | Specifications | Stock No. | Qty. | Price | Remarks |
|------|----------------|-------------------------------------|----------------|-----------|------|----------|------------------|
| 1 | 11201007002020 | Room Temperature Sensor | | | 1 | \$5.41 | |
| 2 | 15822000003520 | Condenser assembly | | | 1 | \$226.53 | |
| 3 | 11201007000069 | Pipe Temperature Sensor | | | 1 | \$5.02 | |
| 4 | 12222000005745 | Right clapboard assembly | | | 1 | \$28.39 | |
| 5 | 12222000005102 | Big handle assembly | | | 1 | \$3.70 | |
| 7 | 12222000004326 | Chassis assembly | | | 1 | \$56.10 | |
| 8 | 12222000004463 | Front panel assembly | | | 1 | \$81.60 | |
| 9 | 12222000007424 | Air outlet grille | | | 1 | \$52.84 | |
| 10 | 12100105000051 | Axial flow fan | | | 1 | \$27.13 | ZL-427*139*8-3KN |
| 11 | 11002012008761 | Single phase asynchronous motor | | | 1 | \$89.29 | YKT-48-6-206 |
| 12 | 12222200001462 | Supporter subassembly of fan motor | | | 1 | \$14.04 | |
| 13 | 12222000008484 | Left side plate assembly of cabinet | | | 1 | \$18.72 | |
| 14 | 12222200001291 | Top cover assembly | | | 1 | \$42.64 | |
| 15 | 12222200001146 | Partition board assembly | | | 1 | \$21.72 | |
| 16 | 17400306000053 | Reactor | | | 1 | \$52.73 | R20035(AL) |
| 17 | 15422000004716 | 4-way valve assembly | | | 1 | \$154.87 | |
| 17.1 | 15500204000058 | Gas valve | | | 1 | \$27.47 | DYF-B29N |
| 17.2 | 15500216000026 | 4-way Valve | | | 1 | \$72.24 | STF-02BN1(VHR) |
| 17.3 | 12222000002571 | Valve plate | | | 1 | \$4.88 | |
| 18 | 15422000004813 | Liquid valve assembly | | | 1 | \$41.04 | |
| 18.1 | 15500208000028 | Liquid valve | | | 1 | \$16.08 | GYF-A28N |
| 19 | 11103020000006 | DC Inverter Rotary Compressor | | | 1 | \$287.52 | ASM135D23UFZ |
| 20 | 11201007000005 | Discharge Temperature Sensor | | | 1 | \$10.92 | |
| 21 | 17222000A23548 | Electronic control box subassembly | | | 1 | \$286.61 | |

This information is to be used by qualified HVAC technicians only and is subject to revision without notice

KSIQ018-H216-O - Parts List No. P51RQ1704

DATE 17-03

KSIQ018-H216-O - SPARE PARTS LIST

| No. | Part Number | Part Name | Specifications | Stock No. | Qty. | Price | Remarks |
|------|----------------|--|----------------|-----------|------|----------|-----------------|
| 21.1 | 1212200006856 | Electronic installing box subassembly | | | 1 | \$23.04 | |
| 21.2 | 17122000A15873 | Outdoor main control board subassembly | | | 1 | \$242.26 | |
| 21.3 | 12122000014683 | Support of electronic control box | | | 1 | \$8.32 | |
| 21.5 | 12222000001325 | Electronic installing box subassembly | | | 1 | \$17.28 | |
| 21.1 | 17400101000019 | Capacitor of fan motor | | | 1 | \$6.07 | |
| 23 | 15500305000015 | Quick connecting pipe | | | 1 | \$94.84 | KSJT-FA06N(YH) |
| 23 | 15500305000016 | Quick connecting pipe | | | 1 | \$95.17 | KSJT-FA12N(YH) |
| 25 | 12222000003622 | Rear net | | | 1 | \$21.36 | |
| 30 | 17402002000042 | Electric heating tube | | | 1 | \$71.32 | DJRG-150W-110-1 |
| 32 | 12222000002259 | Terminal board | | | 1 | \$0.40 | |
| 33 | 17400401000075 | Wire joint | | | 1 | \$9.50 | |
| 41 | 12100509000059 | Drain pipe | | | 1 | \$3.56 | |
| 99 | 17401203000802 | Compressor wire subassembly | | | 1 | \$13.68 | |

This information is to be used by qualified HVAC technicians only and is subject to revision without notice

KSIQ018-H216-O - Parts List No. P51RQ1704

DATE 17-03