

KSIN024-H215-I - SPARE PARTS LIST

Item No.	Part No.	Part Name	Specifications	Stock No.	Qty	Price	Remarks
1	201133090983	Panel assembly		M19A0983	1	\$ 34.65	
2	201133090979	Air filter		M19A0979	2	\$ 9.41	
3	203332590982	Display box assembly		M19A0982	1	\$ 26.65	
4	201133090982	Cover of indoor electronic control box		M19A0982	1	\$ 3.14	
5	201133090985	Panel frame assembly		M19A0985	1	\$ 80.22	
5.1	201119900950	Screw cap		M19A0950	3	\$ 3.14	
6	201101020038	Drain hose		M19A0038	1	\$ 6.27	
7	201102000305	Fix clamp of temperature sensor		M19A0305	1	\$ 3.14	
8	201533090118	Evaporator assembly		M19A0118	1	\$ 261.90	
9	201133090980	Fan motor cover		M19A0980	1	\$ 6.27	
10	202400401262	Asynchronous motor		M19A1262	1	\$ 197.82	
11	202719900606	Bearing base		M19A0606	1	\$ 3.14	
12	201100200053	Cross flow fan		M19A0053	1	\$ 63.37	
13	201133090987	Horizontal louver		M19A0987	1	\$ 20.10	
14	201133090986	Chassis assembly		M19A0986	1	\$ 92.30	
15	201232800103	Pipe clamp board		M19A0103	1	\$ 3.14	
16	201232590038	Installation plate		M19A0038	1	\$ 53.42	
17	203333090453	Electronic control box assembly		M19A0453	1	\$ 128.07	
17.3	201333090655	Main control board assembly		M19A0655	1	\$ 93.66	
17.4	202433190000	Ambient temperature sensor assembly		M19A0000	1	\$ 3.14	
17.5	202301300080	Pipe temperature sensor assembly		M19A0080	1	\$ 5.45	
17.6	202301400488	Wire joint		M19A0488	1	\$ 9.41	
17.7	202300900099	Transformer		M19A0099	1	\$ 27.22	
17.8	201133090976	Electronic control box		M19A0976	1	\$ 27.22	
18	201133090981	Cover of electronic control box		M19A0981	1	\$ 6.27	
19	203355091469	Remote Controller		M19A1469	1	\$ 29.93	

This information is to be used by qualify technicians only

KSIN24H2- Part list No. P2INH25241301

Above prices, numbers, specifications subject to revision without notice

DATE 13-01

Above prices are subject S & H charges

SPARE PART LIST

Item No.	Part No.	Part Name	Specifications	Stock No.	Qty	Price	Remarks
20	202720090001	Seal ring		M19A0001	1	\$ 3.14	
21	201101020011	Drain connecter		M19A0011	1	\$ 3.14	
22	201600330004	Pipe Nut		M19A0004	1	\$ 3.14	
22	201600330002	Pipe Nut		M19A0002	1	\$ 3.14	
23	201131410703	Air cleaner		M19A0703	1	\$ 3.14	
24	201133090978	Air outlet assembly		M19A0978	1	\$ 63.37	
24.1	202400200120	Louver motor		M19A0120	1	\$ 24.15	
25	201133090167	Fixing board of fan motor		M19A0167	1	\$ 3.14	

This information is to be used by qualify technicians only

KSIN24H2- Part list No. P2INH25241301

Above prices, numbers, specifications subject to revision without notice

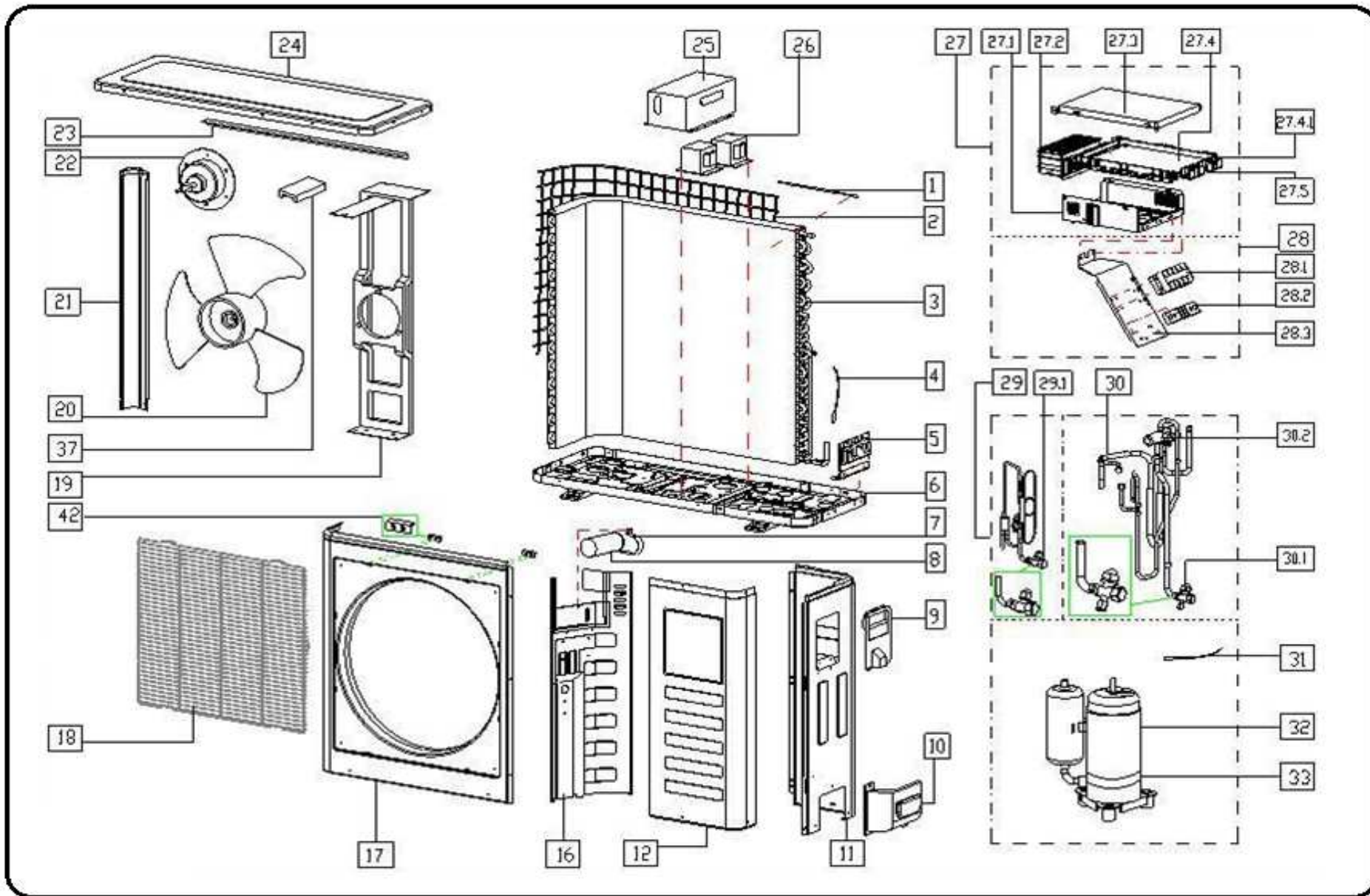
DATE 13-01

Above prices are subject S & H charges

EXPLODED DIAGRAM - PARTS VIEW

Model : K SIN024-H215-O
 Power Supply : 208-230V~ 60Hz 1ph

M19B



This information is to be used by qualify AC technicians only

Above information subject to revision without notice

K SIN24H2- Drawing No. D11NH25241301

DATE 13-01

KSIN024-H215-O - SPARE PARTS LIST

Item No.	Part No.	Part Name	Specifications	Stock No.	Qty	Price	Remarks
1	202301310075	Ambient temperature sensor assembly		M19B0075	1	\$ 5.70	
2	2011481G0001	Rear net		M19B0001	1	\$ 11.55	
3	201537990071	Condenser assembly		M19B0071	1	\$ 353.22	
4	202440500004	Pipe temperature sensor assembly		M19B0004	1	\$ 6.27	
5	201237300285	Valve plate		M19B0285	1	\$ 6.27	
6	201257090054	Chassis assembly		M19B0054	1	\$ 98.28	
7	201200100026	Capacitor clip		M19B0026	1	\$ 3.14	
8	202401000612	Capacitor of compressor	35 μ F 440 VAC	M19B0612	1	\$ 35.34	
9	201237390104	Big handle		M19B0104	1	\$ 11.40	
10	201137390017	Water collector		M19B0017	1	\$ 6.27	
11	201237890100	Rear right clapboard assembly		M19B0100	1	\$ 58.52	
12	201248100389	Front right clapboard assembly		M19B0389	1	\$ 55.46	
16	201237790031	Partition board assembly		M19B0031	1	\$ 53.55	
17	201248100390	Front panel		M19B0390	1	\$ 82.01	
18	201237890112	Air outlet grille		M19B0112	1	\$ 38.19	
19	2012481G0039	Supporter assembly of fan motor		M19B0039	1	\$ 53.55	
20	201100320622	Axial flow fan		M19B0622	1	\$ 45.77	
21	201248100367	Left supporter		M19B0367	1	\$ 14.40	
22	202400401241	Asynchronous motor		M19B1241	1	\$ 199.53	
23	201248100384	Rear supporter		M19B0384	1	\$ 9.41	
24	201248100363	Top cover assembly		M19B0363	1	\$ 56.10	
25	201248090001	Cover of inductance		M19B0001	1	\$ 17.25	
26	202301050026	Reactance		M19B0026	1	\$ 132.48	
26	202301000819	Reactance		M19B0819	1	\$ 78.03	

This information is to be used by qualify technicians only

Above prices, numbers, specifications subject to revision without notice

Above prices are subject S & H charges

KSIN24H2- Part list No. P11NH25241301

DATE 13-01

KSIN024-H215-O - SPARE PARTS LIST

Item No.	Part No.	Part Name	Specifications	Stock No.	Qty	Price	Remarks
27	203338090308	Electronic control box assembly		M19B0308	1	\$ 395.04	
27.1	201237300033	Electronic control box		M19B0033	1	\$ 9.41	
27.2	202301900112	Radiator		M19B0112	1	\$ 78.03	
27.3	201237300162	Cover of electronic control box		M19B0162	1	\$ 9.41	
27.4	201338090066	Main control board assembly		M19B0066	1	\$ 352.92	
27.4.1	202401200152	Fan motor capacitor	2.5uF/450V(BP)	M19B0152	1	\$ 6.27	
27.5	201137300162	Supporter of electronic control box		M19B0162	1	\$ 9.41	
28	203337990161	Terminal board assembly		M19B0161	1	\$ 43.61	
28.1	202301400256	Wire joint		M19B0256	1	\$ 29.93	
28.2	201137300185	Insulation plate		M19B0185	1	\$ 3.14	
28.3	201237890064	Terminal board		M19B0064	1	\$ 6.27	
29	201638091046	Liquid valve assembly		M19B1046	1	\$ 62.86	
29.1	201600740704	Liquid valve		M19B0704	1	\$ 35.34	
30	201638091048	4-way valve assembly		M19B1048	1	\$ 218.52	
30.1	201600720296	Gas valve		M19B0296	1	\$ 60.95	
30.2	201600690011	4-Ways valve		M19B0011	1	\$ 113.19	
31	202301310068	Discharge temperature sensor assembly		M19B0068	1	\$ 11.40	
32	201400600530	Compressor		M19B0530	1	\$ 628.39	
33	202403100501	Crankcase electric heater		M19B0501	1	\$ 35.34	
37	202245500001	Fan motor fixing foam		M19B0001	1	\$ 3.14	
42	201135110801	Clamp of front net		M19B0801	8	\$ 3.14	

This information is to be used by qualify technicians only

KSIN24H2- Part list No. P1INH25241301

Above prices, numbers, specifications subject to revision without notice

DATE 13-01

Above prices are subject S & H charges