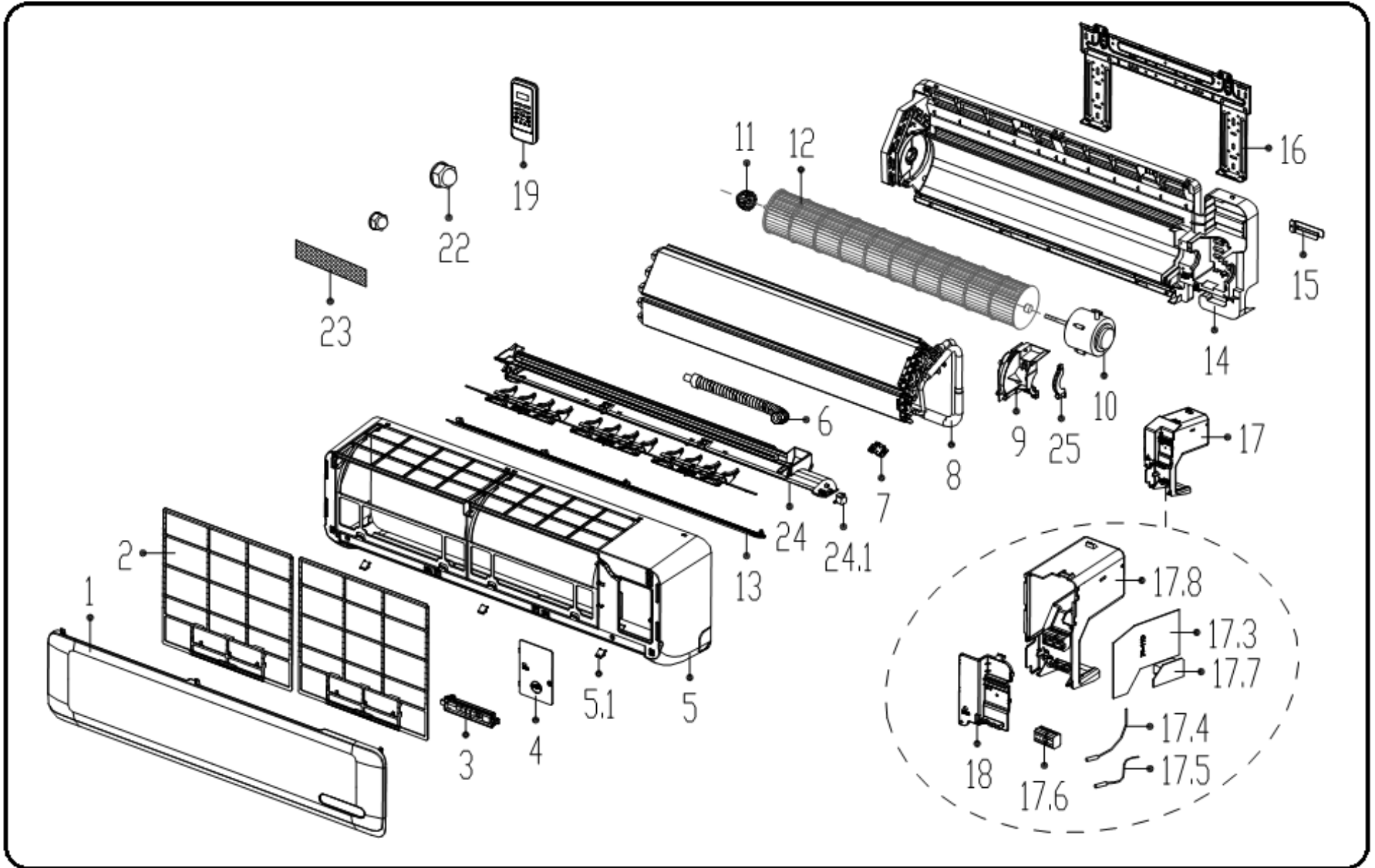


# EXPLODED DIAGRAM - PARTS VIEW

Model : KSIN024-C215-I  
Power Supply : 208-230V~ 60Hz 1ph

M12A



This information is to be used by qualify AC technicians only  
Above information subject to revision without notice

KSIN24C2- Drawing No. D2INC25241301

DATE 13-01

## KSIN024-C215-I - SPARE PARTS LIST

Item No.	Part No.	Part Name	Specifications	Stock No.	Qty	Price	Remarks
1	201133090983	Panel assembly		M13A0983	1	\$ 34.65	
2	201133090979	Air filter		M13A0979	2	\$ 9.41	
3	203332590981	Display box assembly		M13A0981	1	\$ 24.51	
4	201133090982	Cover of indoor electronic control box		M13A0982	1	\$ 3.14	
5	201133090985	Panel frame assembly		M13A0985	1	\$ 80.22	
5.1	201119900950	Screw cap		M13A0950	3	\$ 3.14	
6	201101020038	Drain hose		M13A0038	1	\$ 6.27	
7	201102000305	Fix clamp of temperature sensor		M13A0305	1	\$ 3.14	
8	201533090118	Evaporator assembly		M13A0118	1	\$ 261.90	
9	201133090980	Fan motor cover		M13A0980	1	\$ 6.27	
10	202400401262	Asynchronous motor		M13A1262	1	\$ 197.82	
11	202719900606	Bearing base		M13A0606	1	\$ 3.14	
12	201100200053	Cross flow fan		M13A0053	1	\$ 63.37	
13	201133090987	Horizontal louver		M13A0987	1	\$ 20.10	
14	201133090986	Chassis assembly		M13A0986	1	\$ 92.30	
15	201232800103	Pipe clamp board		M13A0103	1	\$ 3.14	
16	201232590038	Installation plate		M13A0038	1	\$ 53.42	
17	203333090452	Electronic control box assembly		M13A0452	1	\$ 128.07	
17.3	201333090654	Main control board assembly		M13A0654	1	\$ 93.66	
17.4	202433190000	Ambient temperature sensor assembly		M13A0000	1	\$ 3.14	
17.5	202301300080	Pipe temperature sensor assembly		M13A0080	1	\$ 5.45	
17.6	202301400488	Wire joint		M13A0488	1	\$ 9.41	
17.7	202300900099	Transformer		M13A0099	1	\$ 27.22	
17.8	201133090976	Electronic control box		M13A0976	1	\$ 27.22	
18	201133090981	Cover of electronic control box		M13A0981	1	\$ 6.27	
19	203355091469	Remote Controller		M13A1469	1	\$ 29.93	

This information is to be used by qualify technicians only

KSIN24C2- Part list No. P2INC25241301

Above prices, numbers, specifications subject to revision without notice

DATE 13-01

Above prices are subject S & H charges

## KSIN024-C215-I - SPARE PARTS LIST

Item No.	Part No.	Part Name	Specifications	Stock No.	Qty	Price	Remarks
22	201600330004	Pipe Nut		M13A0004	1	\$ 3.14	
22	201600330002	Pipe Nut		M13A0002	1	\$ 3.14	
23	201131410703	Air cleaner		M13A0703	1	\$ 3.14	
24	201133090978	Air outlet assembly		M13A0978	1	\$ 63.37	
24.1	202400200120	Louver motor		M13A0120	1	\$ 24.15	
25	201133090167	Fixing board of fan motor		M13A0167	1	\$ 3.14	

This information is to be used by qualify technicians only

KSIN24C2- Part list No. P2INC25241301

Above prices, numbers, specifications subject to revision without notice

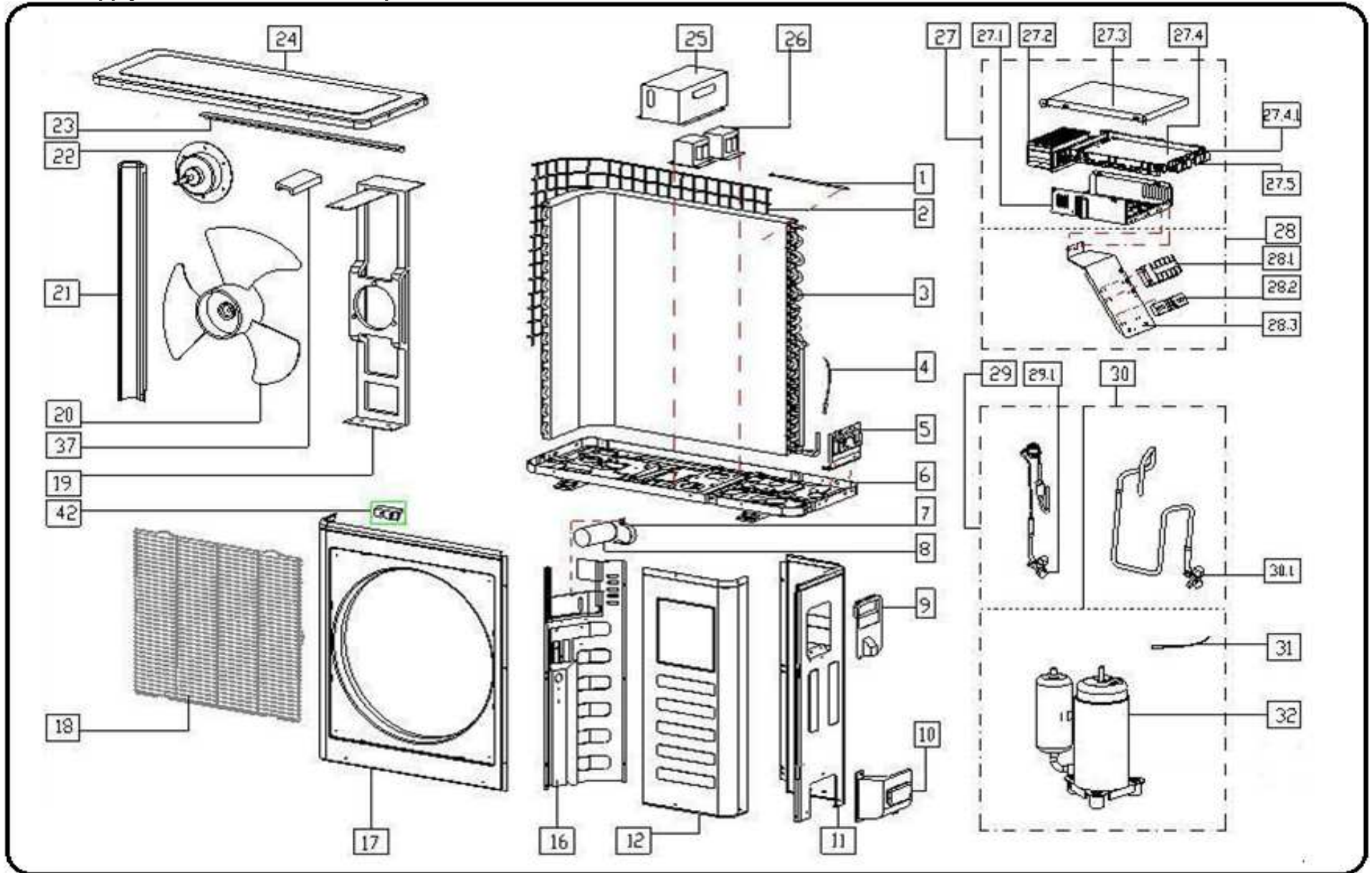
DATE 13-01

Above prices are subject S & H charges

# EXPLODED DIAGRAM - PARTS VIEW

Model : KSIN024-C215-O  
 Power Supply : 208-230V~ 60Hz 1ph

M13B



This information is to be used by qualify AC technicians only

Above information subject to revision without notice

KSIN24C2- Drawing No. D11NC25241301

DATE 13-01

## KSIN024-C215-O - SPARE PARTS LIST

Item No.	Part No.	Part Name	Specifications	Stock No.	Qty	Price	Remarks
1	202301310075	Ambient temperature sensor assembly		M13B0075	1	\$ 5.70	
2	2011481G0001	Rear net		M13B0001	1	\$ 11.55	
3	201537990079	Condenser assembly		M13B0079	1	\$ 258.00	
4	202440500004	Pipe temperature sensor assembly		M13B0004	1	\$ 6.27	
5	201237300285	Valve plate		M13B0285	1	\$ 6.27	
6	201257090054	Chassis assembly		M13B0054	1	\$ 98.28	
7	201200100026	Capacitor clip		M13B0026	1	\$ 3.14	
8	202401000612	Capacitor of compressor	<b>35<math>\mu</math>F 440 VAC</b>	M13B0612	1	\$ 35.34	
9	201237390104	Big handle		M13B0104	1	\$ 11.40	
10	201137390017	Water collector		M13B0017	1	\$ 6.27	
11	201237890100	Rear right clapboard assembly		M13B0100	1	\$ 58.52	
12	201248100389	Front right clapboard assembly		M13B0389	1	\$ 55.46	
16	201237790031	Partition board assembly		M13B0031	1	\$ 53.55	
17	201248100390	Front panel		M13B0390	1	\$ 82.01	
18	201237890112	Air outlet grille		M13B0112	1	\$ 38.19	
19	2012481G0039	Supporter assembly of fan motor		M13B0039	1	\$ 53.55	
20	201100320622	Axial flow fan		M13B0622	1	\$ 45.77	
21	201248100367	Left supporter		M13B0367	1	\$ 14.40	
22	202400401241	Asynchronous motor		M13B1241	1	\$ 199.53	
23	201248100384	Rear supporter		M13B0384	1	\$ 9.41	
24	201248100266	Top cover assembly		M13B0266	1	\$ 58.52	
25	201248090001	Cover of inductance		M13B0001	1	\$ 17.25	
26	202301000819	Reactance		M13B0819	1	\$ 78.03	
26	202301050026	Reactance		M13B0026	1	\$ 132.48	

This information is to be used by qualify technicians only

KSIN24C2- Part list No. P1INC25241301

Above prices, numbers, specifications subject to revision without notice

DATE 13-01

Above prices are subject S & H charges

## KSIN024-C215-O - SPARE PARTS LIST

Item No.	Part No.	Part Name	Specifications	Stock No.	Qty	Price	Remarks
27	203338090308	Electronic control box assembly		M13B0308	1	\$ 395.04	
27.1	201237300033	Electronic control box		M13B0033	1	\$ 9.41	
27.2	202301900112	Radiator		M13B0112	1	\$ 78.03	
27.3	201237300162	Cover of electronic control box		M13B0162	1	\$ 9.41	
27.4	201338090066	Main control board assembly		M13B0066	1	\$ 352.92	
27.4.1	202401200152	Fan motor capacitor		M13B0152	1	\$ 6.27	
27.5	201137300162	Supporter of electronic control box		M13B0162	1	\$ 9.41	
28	203337990161	Terminal board assembly		M13B0161	1	\$ 43.61	
28.1	202301400256	Wire joint		M13B0256	1	\$ 29.93	
28.2	201137300185	Insulation plate		M13B0185	1	\$ 3.14	
28.3	201237890064	Terminal board		M13B0064	1	\$ 6.27	
29	201638091042	Liquid valve assembly		M13B1042	1	\$ 50.75	
29.1	201600740704	Liquid valve		M13B0704	1	\$ 35.34	
30	201638090643	Gas valve assembly		M13B0643	1	\$ 90.30	
30.1	201600720296	Gas valve		M13B0296	1	\$ 60.95	
31	202301310068	Discharge temperature sensor assembly		M13B0068	1	\$ 11.40	
32	201400600530	Compressor		M13B0530	1	\$ 628.39	
37	202245500001	Fan motor fixing foam		M13B0001	1	\$ 3.14	
42	201135110801	Clamp of front net		M13B0801	8	\$ 3.14	

This information is to be used by qualify technicians only

Above prices, numbers, specifications subject to revision without notice

Above prices are subject S & H charges

KSIN24C2- Part list No. P1INC25241301

DATE 13-01