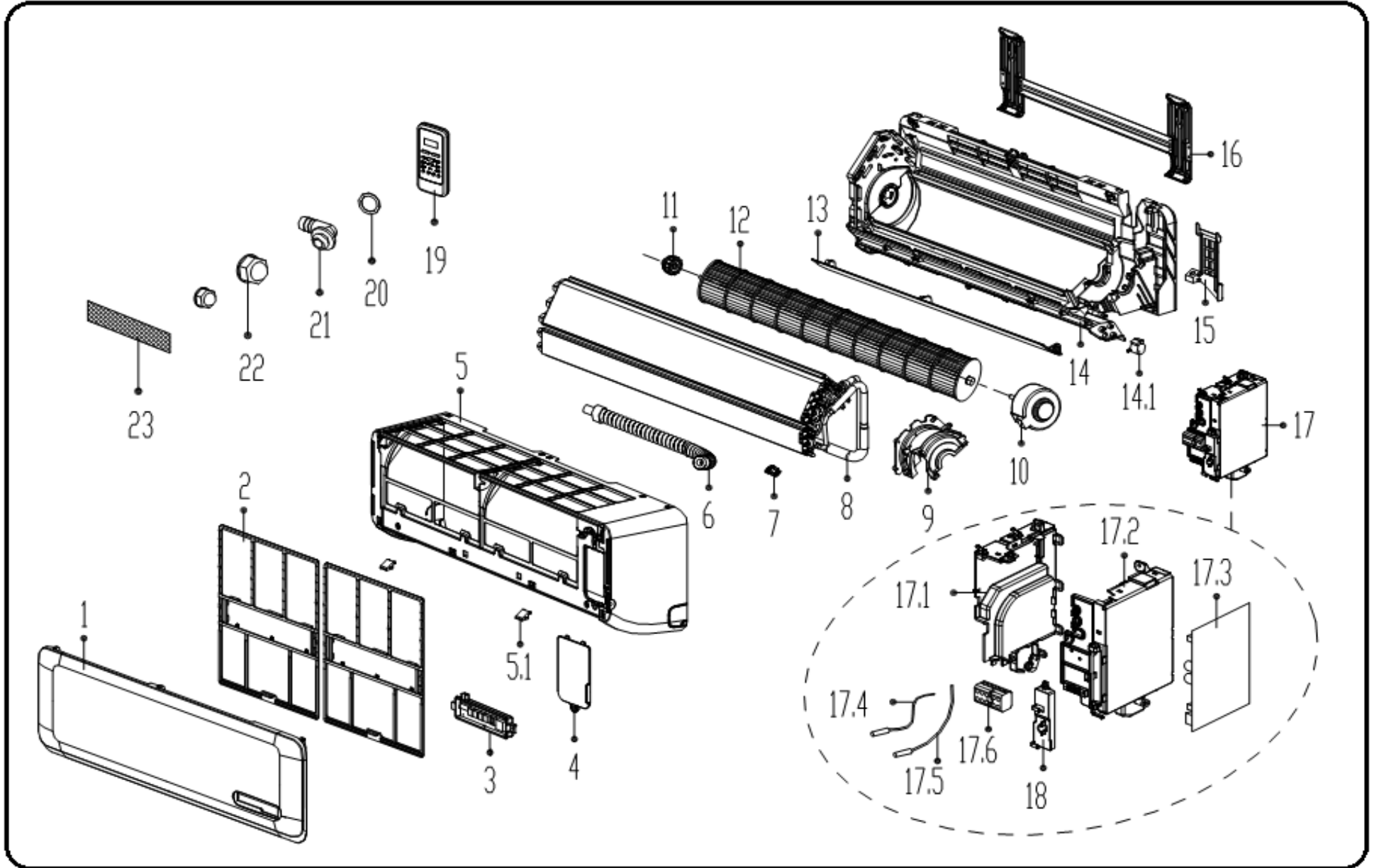


# EXPLODED DIAGRAM - PARTS VIEW

Model : K SIN018-H215-I  
Power Supply : 208-230V~ 60Hz 1ph

M18A



This information is to be used by qualify AC technicians only  
Above information subject to revision without notice

K SIN18H2- Drawing No. D21NH25181301

DATE 13-01

## KSIN018-H215-I - SPARE PARTS LIST

Item No.	Part No.	Part Name	Specifications	Stock No.	Qty	Price	Remarks
1	201132790646	Panel assembly		M18A0646	1	\$ 34.13	
2	201132790644	Air filter		M18A0644	2	\$ 6.27	
3	203332590982	Display box assembly		M18A0982	1	\$ 26.65	
4	201119900948	Cover of indoor electronic control box		M18A0948	1	\$ 3.14	
5	201132790641	Panel frame assembly		M18A0641	1	\$ 73.06	
5.1	201119900950	Screw cap		M18A0950	2	\$ 3.14	
6	201101020038	Drain hose		M18A0038	1	\$ 6.27	
7	201102000305	Fix clamp of temperature sensor		M18A0305	1	\$ 3.14	
8	201532790079	Evaporator assembly		M18A0079	1	\$ 247.73	
9	201132790645	Fan motor cover		M18A0645	1	\$ 6.27	
10	202400300419	Asynchronous motor		M18A0419	1	\$ 134.51	
11	202719900606	Bearing base		M18A0606	1	\$ 3.14	
12	201100200052	Cross flow fan		M18A0052	1	\$ 51.13	
13	201132790643	Horizontal louver		M18A0643	1	\$ 17.25	
14	201132790642	Chassis assembly		M18A0642	1	\$ 104.37	
14.1	202400200031	Louver motor		M18A0031	1	\$ 14.40	
15	201119900949	Pipe clamp board		M18A0949	1	\$ 3.14	
16	201232790013	Installation plate		M18A0013	1	\$ 14.25	
17	203332591086	Electronic control box assembly		M18A1086	1	\$ 143.46	
17.1	201132490125	Electronic control box I		M18A0125	1	\$ 9.41	
17.2	201132490124	Electronic control box II		M18A0124	1	\$ 14.40	
17.3	201332590946	Main control board assembly		M18A0946	1	\$ 131.46	
17.4	202432390005	Ambient temperature sensor assembly		M18A0005	1	\$ 6.27	
17.5	202301300584	Pipe temperature sensor assembly		M18A0584	1	\$ 6.27	
17.6	202301400488	Wire joint		M18A0488	1	\$ 9.41	

This information is to be used by qualify technicians only

KSIN18H2- Part list No. P2INH25181301

Above prices, numbers, specifications subject to revision without notice

DATE 13-01

Above prices are subject S & H charges

**KSIN018-H215-I - SPARE PARTS LIST**

Item No.	Part No.	Part Name	Specifications	Stock No.	Qty	Price	Remarks
18	201132490126	Cover of electronic control box		M18A0126	1	\$ 3.14	
19	203355091469	Remote Controller		M18A1469	1	\$ 29.93	
20	202720090001	Seal ring		M18A0001	1	\$ 3.14	
21	201101020011	Drain connecter		M18A0011	1	\$ 3.14	
22	201600330003	Pipe Nut		M18A0003	1	\$ 3.14	
22	201600330001	Pipe Nut		M18A0001	1	\$ 3.14	
23	201131410703	Air cleaner		M18A0703	1	\$ 3.14	

This information is to be used by qualify technicians only

KSIN18H2- Part list No. P2INH25181301

Above prices, numbers, specifications subject to revision without notice

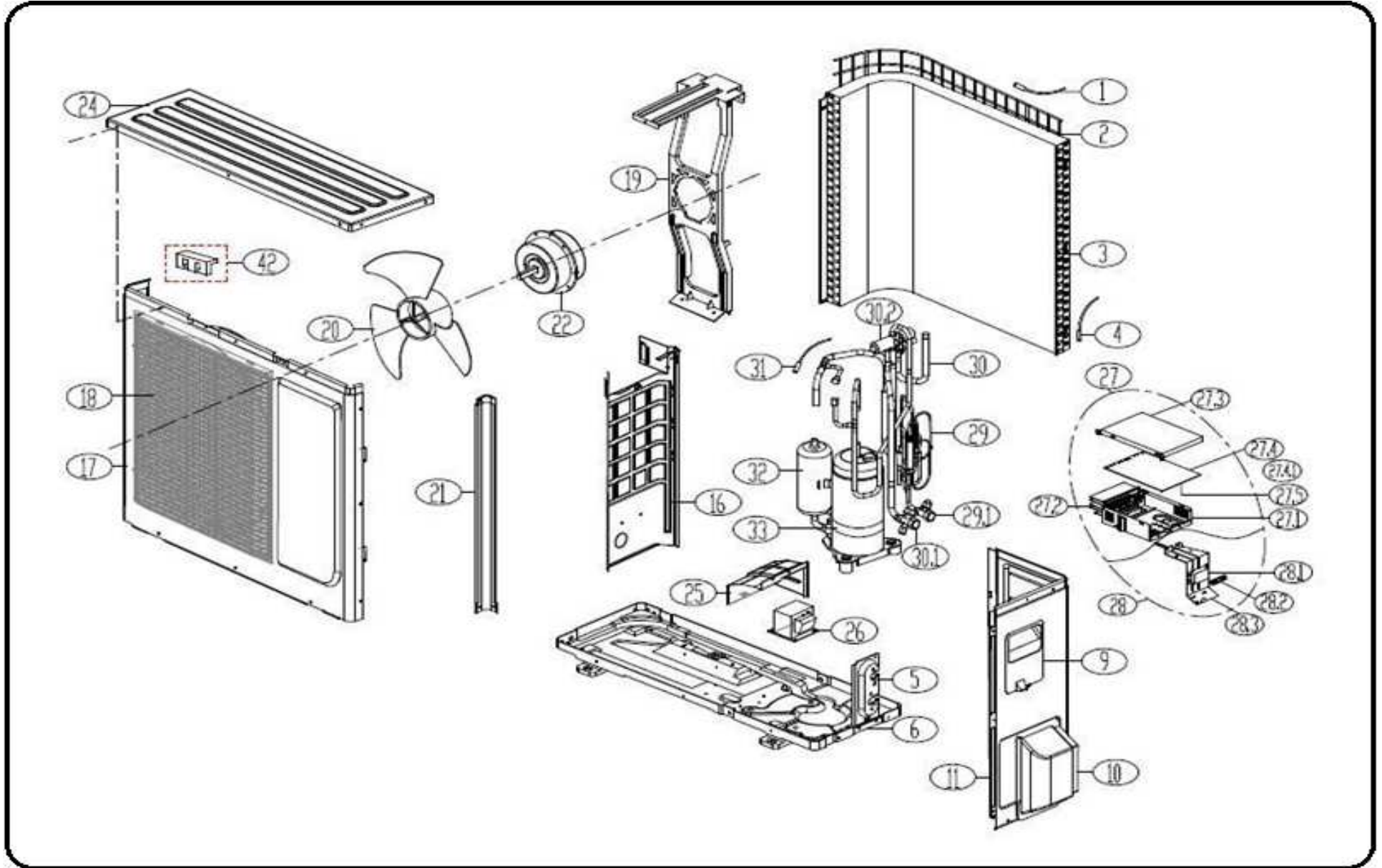
DATE 13-01

Above prices are subject S & H charges

# EXPLODED DIAGRAM - PARTS VIEW

Model : K SIN018-H215-O  
Power Supply : 208-230V~ 60Hz 1ph

M18B



This information is to be used by qualify AC technicians only

Above information subject to revision without notice

K SIN18H2- Drawing No. D1INH25181301

DATE 13-01

## KSIN018-H215-O - SPARE PARTS LIST

Item No.	Part No.	Part Name	Specifications	Stock No.	Qty	Price	Remarks
1	202301310075	Ambient temperature sensor assembly		M18B0075	1	\$ 5.70	
2	2011374G0003	Rear net		M18B0003	1	\$ 6.27	
3	201537690004	Condenser assembly		M18B0004	1	\$ 271.80	
4	202440500004	Pipe temperature sensor assembly		M18B0004	1	\$ 6.27	
5	201237200282	Valve plate		M18B0282	1	\$ 6.27	
6	201237890110	Chassis assembly		M18B0110	1	\$ 80.22	
9	201237390104	Big handle		M18B0104	1	\$ 11.40	
10	201137400000	Water collector		M18B0000	1	\$ 11.40	
11	201237590080	Rear right clapboard assembly		M18B0080	1	\$ 48.71	
16	20123789G003	Partition board assembly		M18BG003	1	\$ 32.63	
17	201237890111	Front panel		M18B0111	1	\$ 75.48	
18	201237890117	Air outlet grille		M18B0117	1	\$ 32.63	
19	201237890080	Supporter assembly of fan motor		M18B0080	1	\$ 32.63	
20	201100300514	Axial flow fan		M18B0514	1	\$ 43.18	
21	201237400400	Left supporter		M18B0400	1	\$ 9.41	
22	202400400171	Asynchronous motor		M18B0171	1	\$ 197.82	
24	201237900028	Top cover assembly		M18B0028	1	\$ 48.58	
25	20123789G002	Cover of inductance		M18BG002	1	\$ 9.41	
26	202301000903	Reactance		M18B0903	1	\$ 78.23	
27	203337890327	Electronic control box assembly		M18B0327	1	\$ 331.26	
27.1	201237300033	Electronic control box		M18B0033	1	\$ 9.41	
27.2	202301990015	Radiator		M18B0015	1	\$ 46.31	
27.3	201237300162	Cover of electronic control box		M18B0162	1	\$ 9.41	
27.4	201337790071	Main control board assembly		M18B0071	1	\$ 305.94	
27.4.1	202401200152	Fan motor capacitor	2.5uF/450V(BP)	M18B0152	1	\$ 6.27	
27.5	201137300162	Supporter of electronic control box		M18B0162	1	\$ 9.41	

This information is to be used by qualify technicians only

KSIN18H2- Part list No. P1INH25181301

Above prices, numbers, specifications subject to revision without notice

DATE 13-01

Above prices are subject S & H charges

## KSIN018-H215-O - SPARE PARTS LIST

Item No.	Part No.	Part Name	Specifications	Stock No.	Qty	Price	Remarks
28	203337590049	Terminal board assembly		M18B0049	1	\$ 46.28	
28.1	202301400223	Wire joint		M18B0223	1	\$ 14.40	
28.2	201137300185	Insulation plate		M18B0185	1	\$ 3.14	
28.3	201237590046	Terminal board		M18B0046	1	\$ 9.41	
29	201637891215	Liquid valve assembly		M18B1215	1	\$ 65.28	
29.1	201600740523	Liquid valve		M18B0523	1	\$ 25.08	
30	201637790555	4-way valve assembly		M18B0555	1	\$ 232.20	
30.1	201600720195	Gas valve		M18B0195	1	\$ 46.28	
30.2	201600690011	4-Ways valve		M18B0011	1	\$ 113.19	
31	202301310068	Discharge temperature sensor assembly		M18B0068	1	\$ 11.40	
32	201400603269	Compressor		M18B3269	1	\$ 517.19	
33	202403100501	Crankcase electric heater		M18B0501	1	\$ 35.34	
42	201135110801	Clamp of front net		M18B0801	8	\$ 3.14	

This information is to be used by qualify technicians only

Above prices, numbers, specifications subject to revision without notice

Above prices are subject S & H charges

KSIN18H2- Part list No. P1INH25181301

DATE 13-01