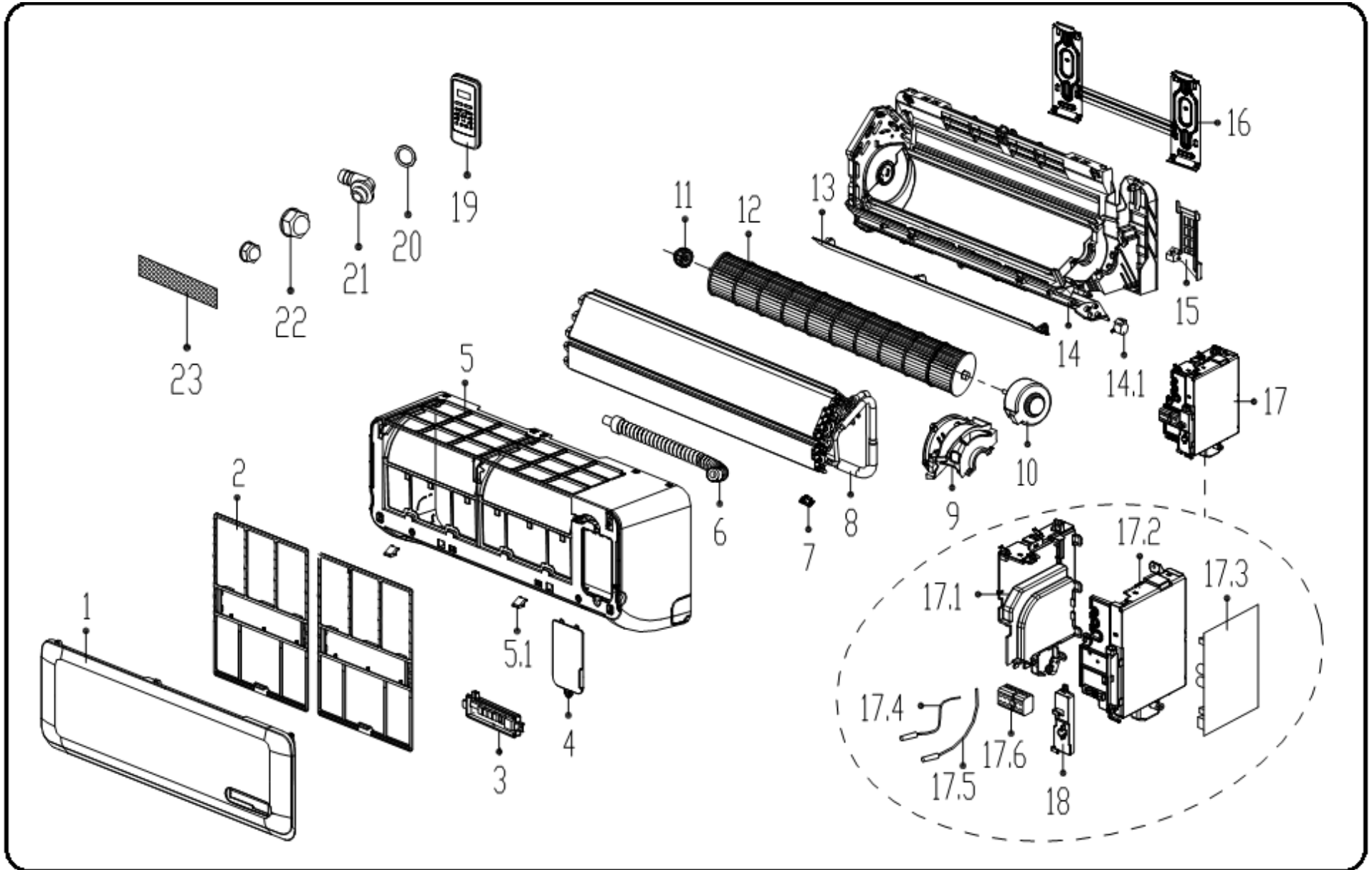


EXPLODED DIAGRAM - PARTS VIEW

Model : K SIN012-H215-I
Power Supply : 208-230V~ 60Hz 1ph

M17A



This information is to be used by qualify AC technicians only
Above information subject to revision without notice

K SIN12H2- Drawing No. D2INH25121301
DATE 13-01

KSIN012-H215-I - SPARE PARTS LIST

Item No.	Part No.	Part Name	Specifications	Stock No.	Qty	Price	Remarks
1	201132490135	Panel assembly		M17A0135	1	\$ 24.05	
2	201132490130	Air filter		M17A0130	2	\$ 3.14	
3	203332590982	Display box assembly		M17A0982	1	\$ 26.65	
4	201119900948	Cover of indoor electronic control box		M17A0948	1	\$ 3.14	
5	201132490134	Panel frame assembly		M17A0134	1	\$ 60.95	
5.1	201119900950	Screw cap		M17A0950	2	\$ 3.14	
6	201101020038	Drain hose		M17A0038	1	\$ 6.27	
7	201102000305	Fix clamp of temperature sensor		M17A0305	1	\$ 3.14	
8	201532490051	Evaporator assembly		M17A0051	1	\$ 188.33	
9	201132490127	Fan motor cover		M17A0127	1	\$ 6.27	
10	202400300137	Asynchronous motor		M17A0137	1	\$ 110.36	
11	202719900606	Bearing base		M17A0606	1	\$ 3.14	
12	201100200051	Cross flow fan		M17A0051	1	\$ 46.31	
13	201132490131	Horizontal louver		M17A0131	1	\$ 11.40	
14	201132490133	Chassis assembly		M17A0133	1	\$ 84.32	
14.1	202400200031	Louver motor		M17A0031	1	\$ 14.40	
15	201119900949	Pipe clamp board		M17A0949	1	\$ 3.14	
16	201232490004	Installation plate		M17A0004	1	\$ 11.40	
17	203332591084	Electronic control box assembly		M17A1084	1	\$ 153.72	
17.1	201132490125	Electronic control box I		M17A0125	1	\$ 9.41	
17.2	201132490124	Electronic control box II		M17A0124	1	\$ 14.40	
17.3	201332590944	Main control board assembly		M17A0944	1	\$ 122.94	
17.4	202432390005	Ambient temperature sensor assembly		M17A0005	1	\$ 6.27	
17.5	202301300584	Pipe temperature sensor assembly		M17A0584	1	\$ 6.27	
17.6	202301400488	Wire joint		M17A0488	1	\$ 9.41	
18	201132490126	Cover of electronic control box		M17A0126	1	\$ 3.14	
19	203355091469	Remote Controller		M17A1469	1	\$ 29.93	
20	202720090001	Seal ring		M17A0001	1	\$ 3.14	
21	201101020011	Drain connecter		M17A0011	1	\$ 3.14	
22	201600330001	Pipe Nut		M17A0001	1	\$ 3.14	
22	201600330002	Pipe Nut		M17A0002	1	\$ 3.14	
23	201131410703	Air cleaner		M17A0703	1	\$ 3.14	

This information is to be used by qualify technicians only

KSIN12H2- Part list No. P2INH25121301

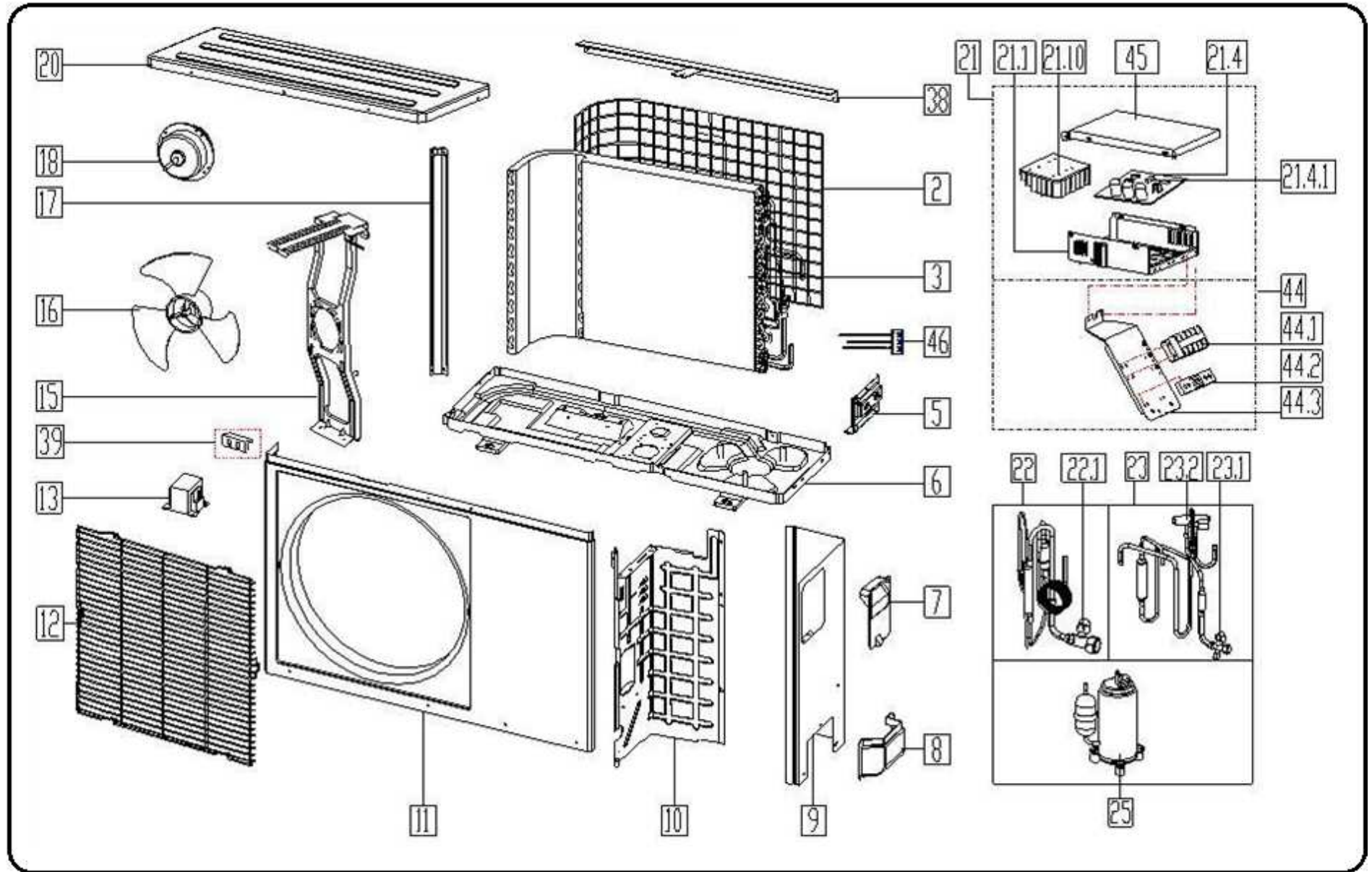
Above prices, numbers, specifications subject to revision without notice

Above prices are subject S & H charges

EXPLODED DIAGRAM - PARTS VIEW

Model : K SIN012-H215-O
 Power Supply : 208-230V~ 60Hz 1Phase

M17B



This information is to be used by qualify AC technicians only
 Above information subject to revision without notice

K SIN12H2- Drawing No. D1INH25121301
 DATE 13-01-18

SPARE PARTS LIST

Item No.	Part No.	Part Name	Specifications	Stock No.	Qty	Price	Remarks
2	2011376G0001	Rear net		M17B0001	1	\$ 9.57	
3	201537591096	Condenser assembly		M1791096	1	\$ 293.63	
5	201237300285	Valve plate		M1700285	1	\$ 6.27	
6	201237400422	Chassis assembly		M1700422	1	\$ 58.01	
7	201237390104	Big handle		M1790104	1	\$ 11.40	
8	201137390017	Water collector		M1790017	1	\$ 6.27	
9	201237390090	Rear right clapboard assembly		M1790090	1	\$ 24.51	
10	201237490025	Partition board assembly		M1790025	1	\$ 27.22	
11	201237400411	Front panel		M1700411	1	\$ 46.28	
12	201237390105	Air outlet grille		M1790105	1	\$ 27.22	
13	202301000847	Reactance		M1700847	1	\$ 79.54	
15	201237400051	Supporter assembly of fan motor		M1700051	1	\$ 17.25	
16	201100320625	Axial flow fan		M1720625	1	\$ 29.93	
17	201237400397	Left supporter		M1700397	1	\$ 9.41	
18	202400401345	Asynchronous motor		M1701345	1	\$ 139.72	
20	201237400412	Top cover assembly		M1700412	1	\$ 35.34	
21	203337390222	Electronic control box assembly		M1790222	1	\$ 255.89	
21.1	201137490028	Electronic control box		M1790028	1	\$ 29.93	
21.4	201337390185	Main control board assembly		M1790185	1	\$ 290.25	
21.4.1	202401100992	capacitor	6UF/250VAC-P0	M1700992	1	\$ 11.40	
21.4.1	202401200152	capacitor	2.5uF/450V(BP)	M1700152	1	\$ 6.27	
21.10	202301901117	Radiator		M1701117	1	\$ 43.86	
22	201637591295	liquid valve assembly		M1791295	1	\$ 58.01	
22.1	201600700078	Liquid valve		M1700078	1	\$ 29.93	
23	201637591097	4-Ways valve assembly		M1791097	1	\$ 180.28	
23.1	201600720094	Gas valve		M1720094	1	\$ 43.61	
23.2	201600690010	4-Ways valve		M1790010	1	\$ 104.29	
25	201400601230	Compressor		M1701230	1	\$ 506.36	

This information is to be used by qualify technicians only

KSIN12H2- Part list No. P1INH25121301

Above prices, numbers, specifications subject to revision without notice

DATE 13-01-18

Above prices are subject S & H charges

SPARE PARTS LIST

Item No.	Part No.	Part Name	Specifications	Stock No.	Qty	Price	Remarks
38	201237400055	Supporter of fan motor holder		M1700055	1	\$ 3.14	
39	201135110801	Clamp of front net		M1710801	6	\$ 3.14	
44	203337490048	Terminal board assembly		M1790048	1	\$ 22.80	
44.1	202301400377	Wire joint		M1700377	1	\$ 14.40	
44.2	201245400027	Wire clamp		M1700027	1	\$ 3.14	
44.3	201237490039	Terminal board		M1790039	1	\$ 3.14	
45	201137490029	Cover of electronic control box		M1790029	1	\$ 14.40	
46	202301300602	Temperature sensor assembly		M1700602	1	\$ 24.51	

This information is to be used by qualify technicians only

Above prices, numbers, specifications subject to revision without notice

Above prices are subject S & H charges

KSIN12H2- Part list No. P1INH25121301

DATE 13-01-18