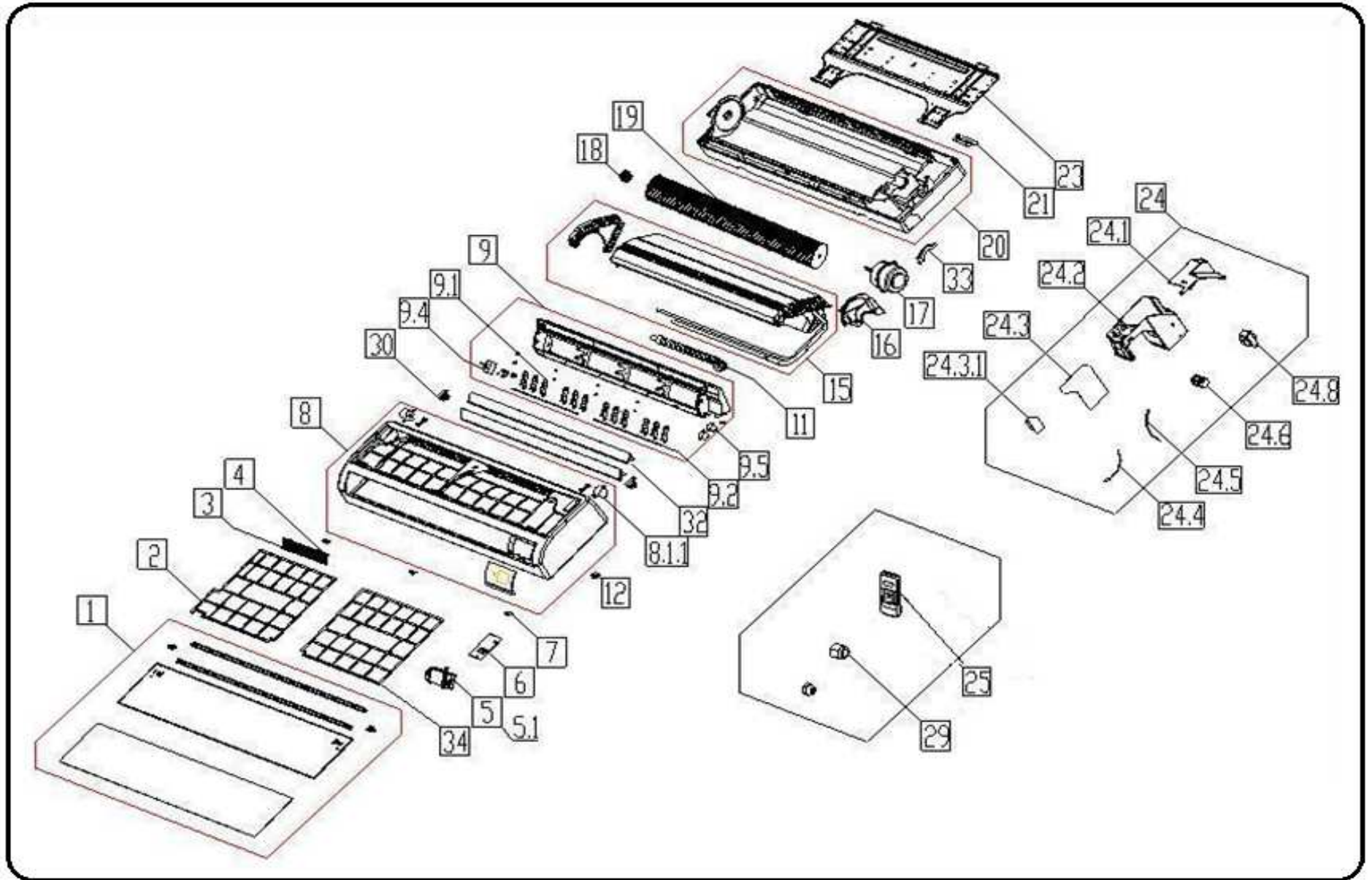


EXPLODED DIAGRAM - PARTS VIEW

Model : KSIM024-H217
Power Supply : 208-230V~ 60Hz 1Phase

M23A



This information is to be used by qualify AC technicians only
Above information subject to revision without notice

KSIM2417- Drawing No. D2IM17241301
DATE 13-01

SPARE PART LIST

Item No.	Part No.	Part Name	Specifications	Stock No.	Qty	Price	Remarks
1	WI1133090178	Panel assembly		M23A0178	1	\$ 142.95	
2	WI1133090174	Air filter(left)		M23A0174	1	\$ 6.14	
5	WI3332890007	Display box assembly		M23A0007	1	\$ 109.45	
5.1	WI1332590462	Display board assembly		M23A0462	1	#N/A	
6	WI1133090170	Cover of indoor electronic control box		M23A0170	1	\$ 3.07	
7	WI1133090175	Screw cap		M23A0175	3	\$ 3.07	
8	WI1133090914	Panel frame assembly		M23A0914	1	\$ 182.18	
8.1	WI1133090214	Panel frame assembly		M23A0214	1	\$ 219.46	
8.1.1	WI2400200109	Louver motor		M23A0109	1	\$ 42.44	
9	WI1133091001	Air outlet assembly		M23A1001	1	\$ 115.31	
9.1	WI1133090434	Vertical vane		M23A0434	12	\$ 3.07	
9.2	WI1133090435	Louver holder		M23A0435	2	\$ 3.07	
9.4	WI2403000003	Ionizer generator		M23A0003	1	\$ 16.75	
9.5	WI2400200004	Louver motor		M23A0004	1	\$ 23.87	
11	WI1101020038	Drain hose		M23A0038	1	\$ 6.14	
15	WI1533090113	Evaporator assembly		M23A0113	1	\$ 274.74	
16	WI1133090176	Fan motor cover		M23A0176	1	\$ 6.14	
17	WI2400400931	Asynchronous motor		M23A0931	1	\$ 137.37	
18	WI2730100201	Bearing base		M23A0201	1	\$ 3.07	
19	WI1100200110	Cross flow fan		M23A0110	1	\$ 66.45	
20	WI1133090180	Chassis assembly		M23A0180	1	\$ 105.54	
21	WI1232800001	Pipe clamp board		M23A00001	1	\$ 3.07	
23	WI1232990001	Installation plate		M23A90001	1	\$ 23.87	
24	WI3333090277	Electronic control box assembly		M23A0277	1	\$ 214.43	
24.1	WI1133090166	Cover of electronic control box		M23A0166	1	\$ 11.17	
24.2	WI1133090165	Electronic control box		M23A0165	1	\$ 23.87	
24.3	WI1333090371	Main control board assembly		M23A0371	1	\$ 155.80	
24.3.1	WI2401290009	Fan motor capacitor		M23A0009	1	\$ 6.14	
24.4	WI2301300092	Indoor temperature sensor assembly		M23A0092	1	\$ 6.14	
24.5	WI2301300077	Pipe temperature sensor assembly		M23A0077	1	\$ 6.14	
24.6	WI2301450119	Wire joint		M23A0119	1	\$ 9.21	
24.8	WI2300900166	Transformer		M23A0166	1	\$ 39.79	

This information is to be used by qualify technicians only

KSIM2417- Part list No. P2IM17241301

Above prices, numbers, specifications subject to revision without notice

Drawing No. D2IM17241301

Above prices are subject S & H charges

DATE 13-01

SPARE PART LIST

Item No.	Part No.	Part Name	Specifications	Stock No.	Qty	Price	Remarks
25	WI3355091200	Remote Controller		M23A1200	1	\$ 47.47	
27	WI2720090001	Seal ring		M23A0001	1	\$ 3.07	
28	WI1101020011	Drain connecter		M23A0011	1	\$ 3.07	
29	WI1600330002	Nut		M23A0002	1	\$ 3.07	
29	WI1600330004	Nut		M23A0004	1	\$ 3.07	
30	WI1132890023	Hinge Slide groove		M23A0023	2	\$ 3.07	
32	WI1133091003	Horizontal louver		M23A1003	1	\$ 54.58	
32	WI1133091002	Horizontal louver		M23A1002	1	\$ 54.58	
33	WI1133090167	Fixing board of fan motor		M23A0167	1	\$ 3.07	
34	WI1133090177	Air filter(right)		M23A0177	1	\$ 6.14	

This information is to be used by qualify technicians only

Above prices, numbers, specifications subject to revision without notice

Above prices are subject S & H charges

KSIM2417- Part list No. P2IM17241301

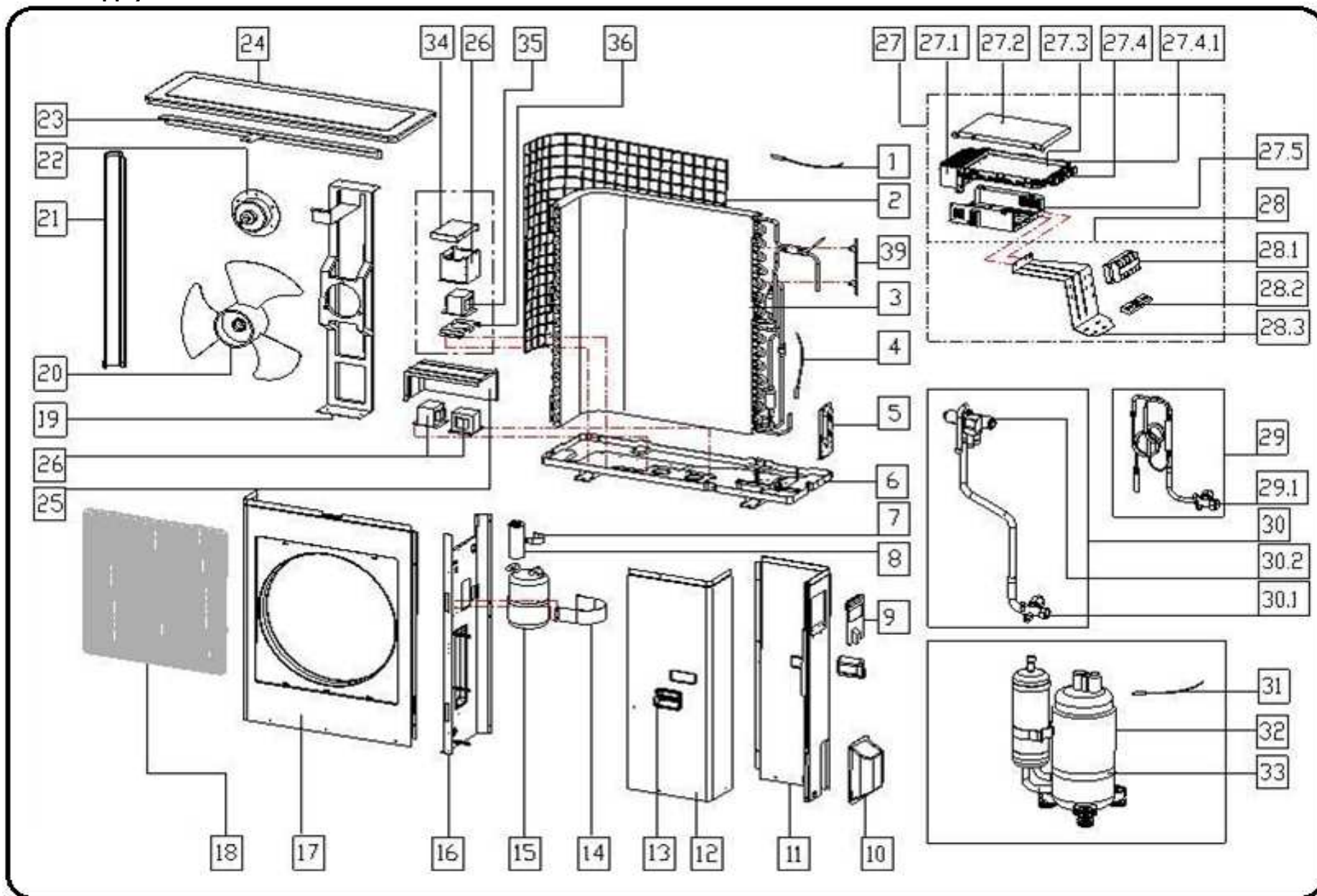
Drawing No. D2IM17241301

DATE 13-01

EXPLODED DIAGRAM - PARTS VIEW

Sale model : KSIM024-H217
Power Supply : 208-230V~ 60Hz 1Phase

M23B



This information is to be used by qualify AC technicians only

Above information subject to revision without notice

KSIM2417- Drawing No. D11M17241301

DATE 13-01

SPARE PARTS LIST

Item No.	Part No.	Part Name	Specifications	Stock No.	Qty	Price	Remarks
1	HM2301310075	Indoor temperature sensor assembly		M23B0075	1	\$ 5.58	
2	HM11482G0001	Rear net		M23B0001	1	\$ 13.96	
3	HM1538090038	Condenser assembly		M23B0038	1	\$ 538.45	
4	HM2301300111	Pipe temperature sensor assembly		M23B0111	1	\$ 9.21	
5	HM1248300316	Valve plate		M23B0316	1	\$ 11.17	
6	HM1238090064	Chassis assembly		M23B0064	1	\$ 109.45	
7	HM1200100026	Capacitor clip		M23B0026	1	\$ 3.07	
8	HM2401000612	Capacitor of compressor		M23B0612	1	\$ 26.52	
9	HM1237390104	Big handle		M23B0104	1	\$ 9.21	
10	HM1138090005	Water collector		M23B0005	1	\$ 9.21	
11	HM1238090067	Rear right clapboard assembly		M23B0067	1	\$ 75.94	
12	HM1248200082	Front right clapboard assembly		M23B0082	1	\$ 76.22	
13	HM1148700009	Handle		M23B0009	2	\$ 3.07	
14	HM1245000901	Fix clamp of segregator		M23B0901	1	\$ 6.14	
15	HM1638090129	Accumulator cylinder		M23B0129	1	\$ 123.13	
16	HM1238090004	Partition board assembly		M23B0004	1	\$ 75.94	
17	HM1248200126	Front panel		M23B0126	1	\$ 99.68	
18	HM1237890112	Air outlet grille		M23B0112	1	\$ 39.79	
19	HM1238090007	Supporter assembly of fan motor		M23B0007	1	\$ -	
20	HM1100300202	Axial flow fan		M23B0202	1	\$ 75.94	
21	HM1248400036	Left supporter		M23B0036	1	\$ 16.75	
22	HM2400410666	Asynchronous motor		M23B0666	1	\$ 212.76	
23	HM1248200095	Rear supporter		M23B0095	1	\$ 11.17	
24	HM1248300309	Top cover assembly		M23B0309	1	\$ 73.57	
25	HM1248390003	Cover of inductance		M23B0003	1	\$ 13.96	
26	HM2301050026	Reactance		M23B0026	1	\$ 130.67	
26	HM2301040055	Reactance		M23B0055	1	\$ 71.20	
26	HM2301000819	Reactance		M23B0819	1	\$ 75.94	

This information is to be used by qualify technicians only

KSIM2417- Part list No. P11M17241301

Above prices, numbers, specifications subject to revision without notice

Drawing No. D11M17241301

Above prices are subject S & H charges

DATE 13-01

SPARE PARTS LIST

Item No.	Part No.	Part Name	Specifications	Stock No.	Qty	Price	Remarks
27	HM3338090134	Electronic control box assembly		M23B0134	1	\$ 459.29	
27.1	HM1237300033	Electronic control box		M23B0033	1	\$ 9.21	
27.2	HM2301900112	Radiator		M23B0112	1	\$ 75.94	
27.3	HM1237300162	Cover of electronic control box		M23B0162	1	\$ 9.21	
27.4	HM1338090027	Main control board assembly		M23B0027	1	\$ 425.09	
27.4.1	HM2401200152	Fan motor capacitor		M23B0152	1	\$ 3.07	
27.5	HM1137300162	Supporter of electronic control box		M23B0162	1	\$ 9.21	
28	HM3338090187	Terminal board assembly		M23B0187	1	\$ 45.09	
28.1	HM2301450118	Wire joint		M23B0118	1	\$ 9.21	
28.2	HM1135000004	Insulation plate		M23B0004	1	\$ 3.07	
28.3	HM1238090032	Terminal board		M23B0032	1	\$ 9.21	
29	HM1638090249	Liquid valve assembly		M23B0249	1	\$ -	
29.1	HM1600740706	Liquid valve		M23B0706	1	\$ 26.52	
30	HM1638090251	Gas valve assembly		M23B0251	1	\$ 206.05	
30.1	HM1600720398	Gas valve		M23B0398	1	\$ 64.08	
30.2	HM1600600119	4-Ways valve		M23B0119	1	#N/A	
31	HM2301310068	Discharge temperature sensor assembly		M23B0068	1	\$ 11.17	
32	HM1400600530	Compressor		M23B0530	1	\$ 917.61	
33	HM2403100501	Crankcase electric heater		M23B0501	1	\$ 23.87	
34	HM1238090037	Cover for inductance		M23B0037	1	\$ 3.07	
35	HM1238090038	Protecting board of inductance		M23B0038	1	\$ 6.14	
36	HM1250200305	Inductance holder		M23B0305	1	\$ 6.14	
39	HM1137990000	Waterproof board		M23B0000	1	\$ 3.07	

This information is to be used by qualify technicians only

KSIM2417- Part list No. P11M17241301

Above prices, numbers, specifications subject to revision without notice

Drawing No. D11M17241301

Above prices are subject S & H charges

DATE 13-01