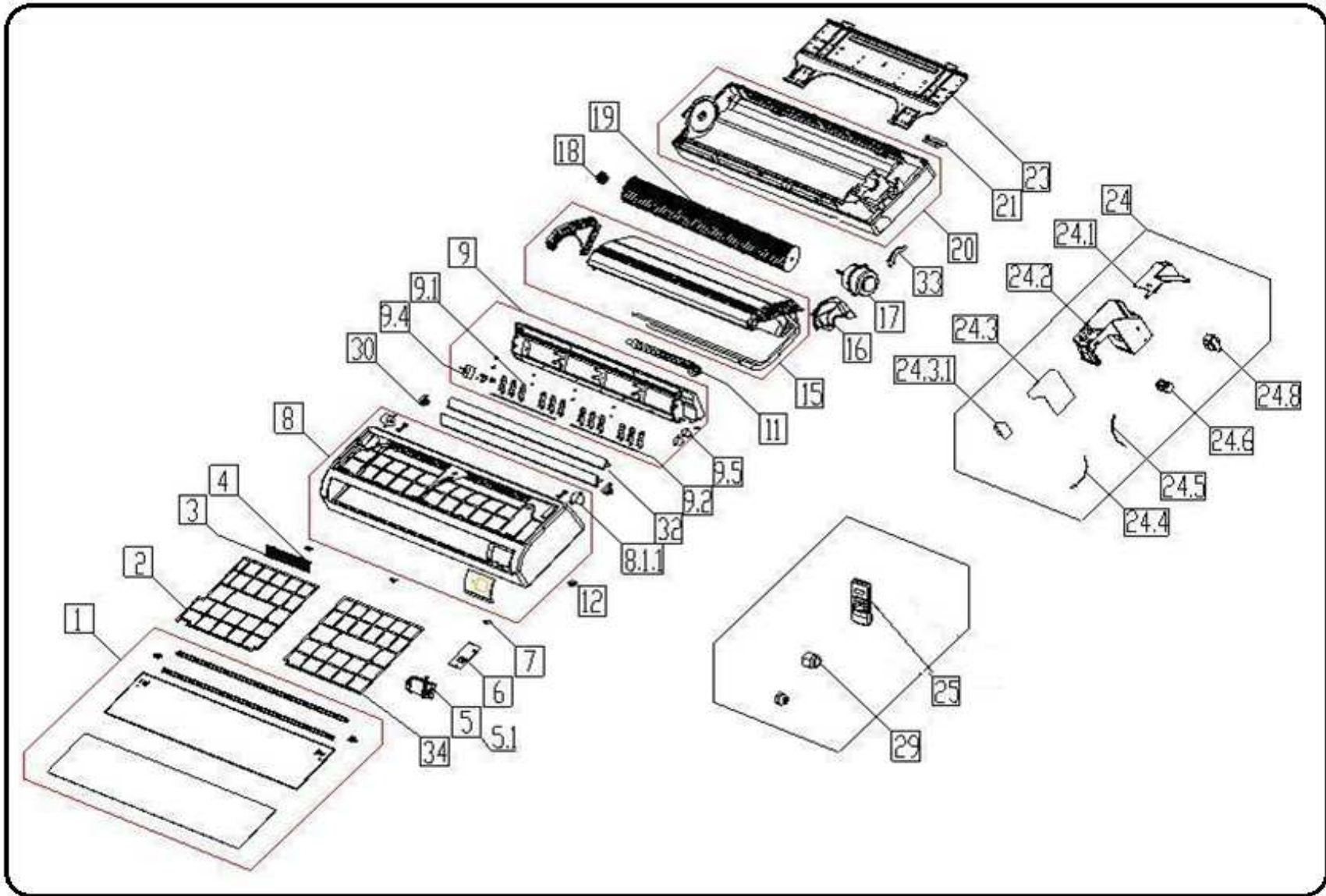


EXPLODED DIAGRAM - PARTS VIEW

Model : KSIM018-H217
Power Supply : 208-230V~ 60Hz 1Phase

22A



This information is to be used by qualify AC technicians only

KSIM1817- Drawing No. D2IM17181301

Above information subject to revision without notice

DATE 13-01

SPARE PART LIST

Item No.	Part No.	Part Name	Specifications	Stock No.	Qty	Price	Remarks
1	WI1133090178	Panel assembly		M22A0178	1	\$ 142.95	
2	WI1133090174	Air filter(left)		M22A0174	1	\$ 6.14	
5	WI3332890007	Display box assembly		M22A0007	1	\$ 109.45	
5.1	WI1332590462	Display board assembly		M22A0462	1	#N/A	
6	WI1133090170	Cover of indoor electronic control box		M22A0170	1	\$ 3.07	
7	WI1133090175	Screw cap		M22A0175	3	\$ 3.07	
8	WI1133090914	Panel frame assembly		M22A0914	1	\$ 182.18	
8.1	WI1133090214	Panel frame assembly		M22A0214	1	\$ 219.46	
8.1.1	WI2400200109	Louver motor		M22A0109	1	\$ 42.44	
9	WI1133091001	Air outlet assembly		M22A1001	1	\$ 115.31	
9.1	WI1133090434	Vertical vane		M22A0434	12	\$ 3.07	
9.2	WI1133090435	Louver holder		M22A0435	2	\$ 3.07	
9.4	WI2403000003	Ionizer generator		M22A0003	1	\$ 16.75	
9.5	WI2400200004	Louver motor		M22A0004	1	\$ 23.87	
11	WI1101020038	Drain hose		M22A0038	1	\$ 6.14	
15	WI1532890103	Evaporator assembly		M22A0103	1	\$ 270.27	
16	WI1133090176	Fan motor cover		M22A0176	1	\$ 6.14	
17	WI2400400931	Asynchronous motor		M22A0931	1	\$ 137.37	
18	WI2730100201	Bearing base		M22A0201	1	\$ 3.07	
19	WI1100200110	Cross flow fan		M22A0110	1	\$ 66.45	
20	WI1133090180	Chassis assembly		M22A0180	1	\$ 105.54	

This information is to be used by qualify technicians only

KSIM1817- Part list No. P2IM17181301

Above prices, numbers, specifications subject to revision without notice

Drawing No. D2IL117181301

Above prices are subject S & H charges

DATE 13-01

SPARE PART LIST

Item No	Part No.	Part Name	Specifications	Stock No.	Qty	Price	Remarks
21	WI1232800001	Pipe clamp board		M22A0001	1	\$ 3.07	
23	WI1232990001	Installation plate		M22A0001	1	\$ 23.87	
24	WI3333090278	Electronic control box assembly		M22A0278	1	\$ 214.43	
24.1	WI1133090166	Cover of electronic control box		M22A0166	1	\$ 11.17	
24.2	WI1133090165	Electronic control box		M22A0165	1	\$ 23.87	
24.3	WI1133090372	Main control board assembly		M22A0372	1	\$ 155.80	
24.3.1	WI2401290009	Fan motor capacitor		M22A0009	1	\$ 6.14	
24.4	WI2301300092	Indoor temperature sensor assembly		M22A0092	1	\$ 6.14	
24.5	WI2301300077	Pipe temperature sensor assembly		M22A0077	1	\$ 6.14	
24.6	WI2301450119	Wire joint		M22A0119	1	\$ 9.21	
24.8	WI2300900166	Transformer		M22A0166	1	\$ 39.79	
25	WI3355091200	Remote Controller		M22A1200	1	\$ 47.47	
27	WI2720090001	Seal ring		M22A0001	1	\$ 3.07	
28	WI1101020011	Drain connecter		M22A0011	1	\$ 3.07	
29	WI1600330001	Nut		M22A0001	1	\$ 3.07	
29	WI1600330003	Nut		M22A0003	1	\$ 3.07	
30	WI1132890023	Hinge Slide groove		M22A0023	2	\$ 3.07	
32	WI1133091003	Horizontal louver		M22A1003	1	\$ 54.58	
32	WI1133091002	Horizontal louver		M22A1002	1	\$ 54.58	
33	WI1133090167	Fixing board of fan motor		M22A0167	1	\$ 3.07	
34	WI1133090177	Air filter(right)		M22A0177	1	\$ 6.14	

This information is to be used by qualify technicians only

KSIM1817- Part list No. P2IM17181301

Above prices, numbers, specifications subject to revision without notice

Drawing No. D2IL117181301

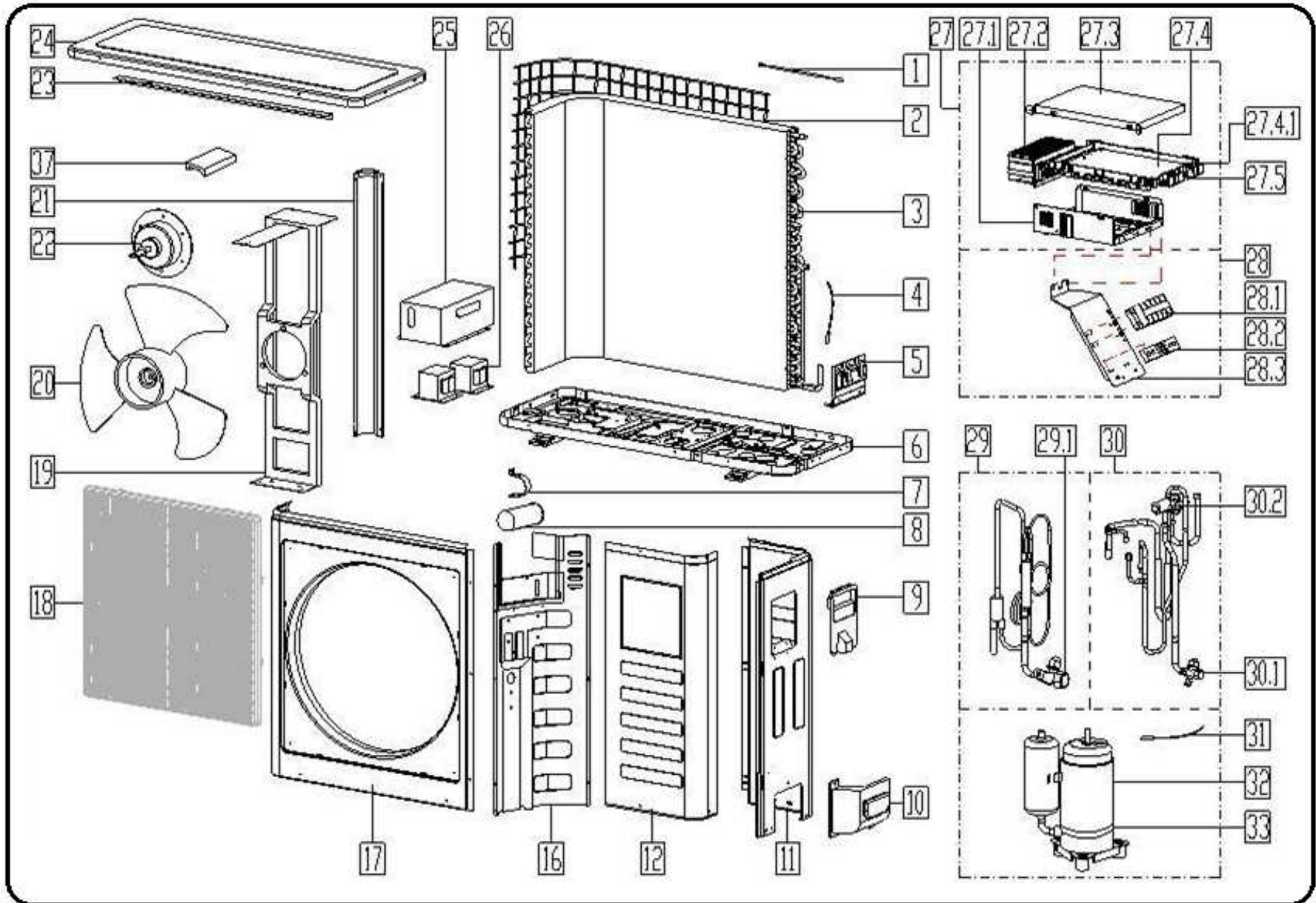
Above prices are subject S & H charges

DATE 13-01

EXPLODED DIAGRAM - PARTS VIEW

Model : KSIM018-H217
 Power Supply : 208-230V~ 60Hz 1Phase

M22B



This information is to be used by qualify AC technicians only

KSIM1817- Drawing No. D11M17181301

Above information subject to revision without notice

DATE 13-01

SPARE PARTS LIST

Item No.	Part No.	Part Name	Specifications	Stock No.	Qty	Price	Remarks
1	HM2301310075	Indoor temperature sensor assembly		M22B0075	1	\$ 5.58	
2	HM11481G0001	Rear net		M22B0001	1	\$ 11.17	
3	HM1537990036	Condenser assembly		M22B0036	1	\$ 360.73	
4	HM2440500004	Pipe temperature sensor assembly		M22B0004	1	\$ 6.14	
5	HM1237300285	Valve plate		M22B0285	1	\$ 6.14	
6	HM1257090054	Chassis assembly		M22B0054	1	\$ 93.81	
7	HM1200100026	Capacitor clip		M22B0026	1	\$ 3.07	
8	HM2401000612	Capacitor of compressor		M22B0612	1	\$ 26.52	
9	HM1237390104	Big handle		M22B0104	1	\$ 9.21	
10	HM1137390017	Water collector		M22B0017	1	\$ 9.21	
11	HM1237890100	Rear right clapboard assembly		M22B0100	1	\$ 54.58	
12	HM1248100350	Front right clapboard assembly		M22B0350	1	\$ 42.72	
16	HM1237790031	Partition board assembly		M22B0031	1	\$ 45.09	
17	HM1248100359	Front panel		M22B0359	1	\$ 83.06	
18	HM1237890112	Air outlet grille		M22B0112	1	\$ 39.79	
19	HM12481G0039	Supporter assembly of fan motor		M22B0039	1	\$ 52.21	
20	HM1145500002	Axial flow fan		M22B0002	1	\$ 75.94	
21	HM1248100367	Left supporter		M22B0367	1	\$ 16.75	
22	HM2400400173	Asynchronous motor		M22B0173	1	\$ 194.33	
23	HM1248100076	Rear supporter		M22B0076	1	\$ 9.21	
24	HM1248100363	Top cover assembly		M22B0363	1	\$ 66.45	
25	HM1248090001	Cover of inductance		M22B0001	1	\$ 16.75	

This information is to be used by qualify technicians only

KSIM1817- Part list No. P1IM17181301

Above prices, numbers, specifications subject to revision without notice

Drawing No. D1IM17181301

Above prices are subject S & H charges

DATE 13-01

SPARE PARTS LIST

Item No.	Part No.	Part Name	Specifications	Stock No.	Qty	Price	Remarks
26	HM2301050026	Reactance		M22B0026	1	\$ 130.67	
26	HM2301000819	Reactance		M22B0819	1	\$ 75.94	
27	HM3338090138	Electronic control box assembly		M22B0138	1	\$ 456.36	
27.1	HM1237300033	Electronic control box		M22B0033	1	\$ 9.21	
27.2	HM2301900112	Radiator		M22B0112	1	\$ 75.94	
27.3	HM1237300162	Cover of electronic control box		M22B0162	1	\$ 9.21	
27.4	HM1338090033	Main control board assembly		M22B0033	1	\$ 422.16	
27.4.1	HM2401200152	Fan motor capacitor		M22B0152	1	\$ 3.07	
27.5	HM1137300162	Supporter of electronic control box		M22B0162	1	\$ 9.21	
28	HM3337990161	Terminal board assembly		M22B0161	1	\$ 45.09	
28.1	HM2301450118	Wire joint		M22B0118	1	\$ 9.21	
28.2	HM1135000004	Insulation plate		M22B0004	1	\$ 3.07	
28.3	HM1237890064	Terminal board		M22B0064	1	\$ 6.14	
29	HM1637790385	Liquid valve assembly		M22B0385	1	\$ 66.45	
29.1	HM1600700078	Liquid valve		M22B0078	1	\$ 26.52	
30	HM1637790384	4-way valve assembly		M22B0384	1	\$ 222.81	
30.1	HM1600720194	Gas valve		M22B0194	1	\$ 49.84	
30.2	HM1600690011	4-Ways valve		M22B0011	1	\$ 119.22	
31	HM2301310068	Discharge temperature sensor assembly		M22B0068	1	\$ 11.17	
32	HM1400600530	Compressor	DA150S1C-20FZ	M22B0530	1	\$ 917.61	
33	HM2403100501	Crankcase electric heater		M22B0501	1	\$ 23.87	
37	HM2245500001	Fan motor fixing foam		M22B0001	1	\$ 3.07	
42	HM1135110801	Clamp of front net		M22B0801	8	\$ 3.07	

This information is to be used by qualify technicians only

KSIM1817- Part list No. P1IM17181301

Above prices, numbers, specifications subject to revision without notice

Drawing No. D1IM17181301

Above prices are subject S & H charges

DATE 13-01