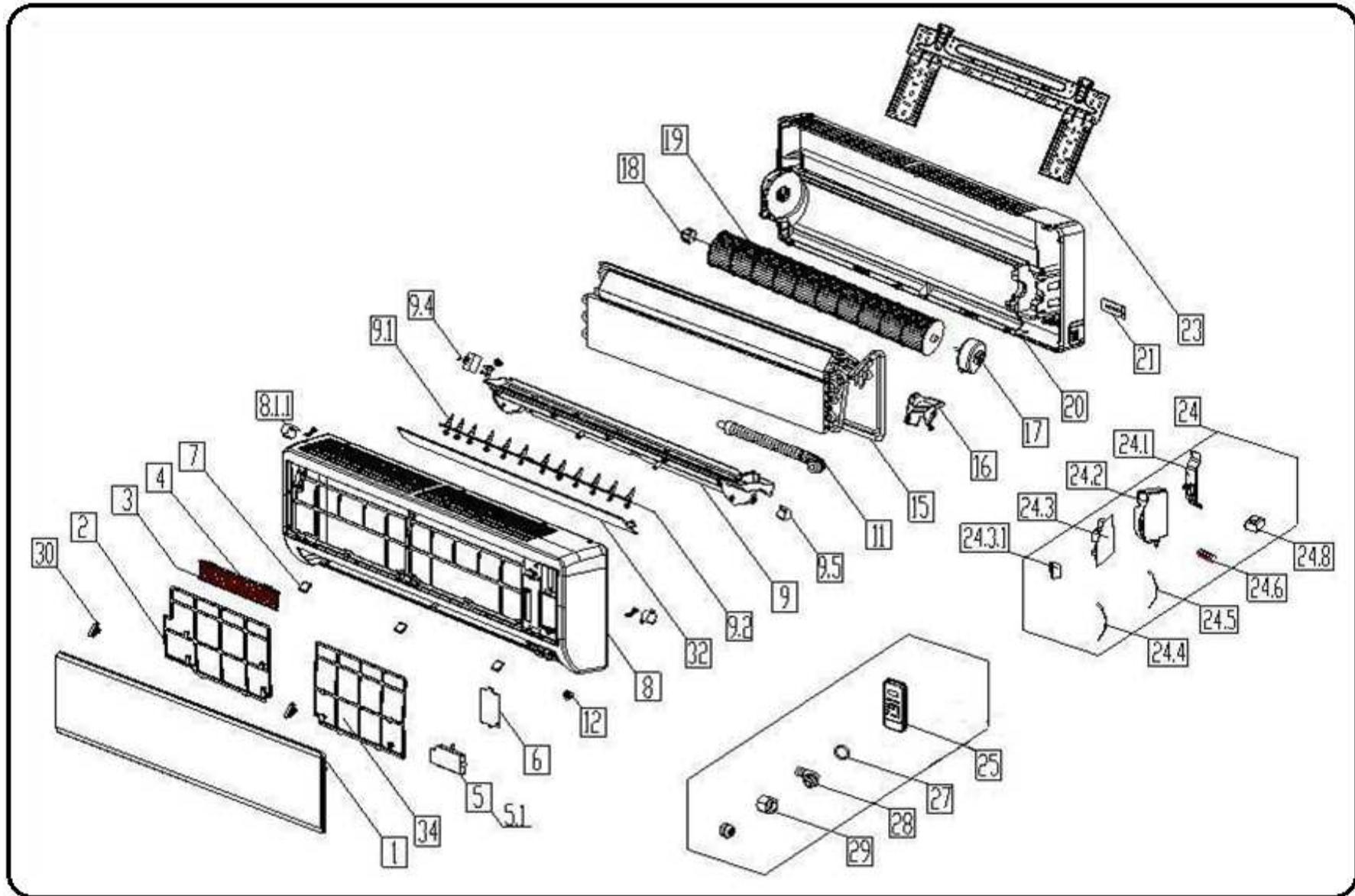


# EXPLODED DIAGRAM - PARTS VIEW

Model : KSIM012-H220  
Power Supply : 208-230V~ 60Hz 1Phase

21A



This information is to be used by qualify AC technicians only

KSIM1220- Drawing No. D2IM20121301

Above information subject to revision without notice

DATE 13-01

## SPARE PART LIST

Item No.	Part No.	Part Name	Specifications	Stock No.	Qty	Price	Remarks
1	WI1132890054	Panel assembly		M21A0054	1	\$ 134.02	
2	WI1132890025	Air filter(left)		M21A0025	1	\$ 9.21	
3	WI1131410703	Air cleaner		M21A0703	1	\$ 3.07	
4	WI1132200713	Bracket of air filter		M21A0713	1	\$ 3.07	
5	WI3332890007	Display box assembly		M21A0007	1	\$ 109.45	
5.1	WI1332590462	Display board assembly		M21A0462	1	#N/A	
6	WI1132490008	Cover of indoor electronic control box		M21A0008	1	\$ 3.07	
7	WI1132890026	Screw cap		M21A0026	3	\$ 3.07	
8	WI1132890584	Panel frame assembly		M21A0584	1	\$ 199.35	
8.1	WI1132890019	Panel frame assembly		M21A0019	1	\$ 184.28	
8.1.1	WI2400200042	Louver motor		M21A0042	1	\$ 45.09	
9	WI1132890678	Air outlet assembly		M21A0678	1	\$ 74.27	
9.1	WI1132890241	Vertical vane		M21A0241	12	\$ 3.07	
9.2	WI1132890243	Louver holder		M21A0243	1	\$ 3.07	
9.2	WI1132890242	Louver holder		M21A0242	2	\$ 3.07	
9.4	WI2403000003	Ionizer generator		M21A0003	1	\$ 16.75	
9.5	WI2400200040	Louver motor		M21A0040	1	\$ 13.96	
11	WI1101020038	Drain hose		M21A0038	1	\$ 6.14	
15	WI1532890109	Evaporator assembly		M21A0109	1	\$ 241.23	
16	WI1132890021	Fan motor cover		M21A0021	1	\$ 6.14	
17	WI2400300419	Asynchronous motor		M21A0419	1	\$ 105.54	

This information is to be used by qualify technicians only

KSIM1220- Part list No. P2IM20121301

Above prices, numbers, specifications subject to revision without notice

Drawing No. D2IM20121301

Above prices are subject S & H charges

DATE 13-01

## SPARE PART LIST

Item No.	Part No.	Part Name	Specifications	Stock No.	Qty	Price	Remarks
18	WI2730100201	Bearing base		M21A0201	1	\$ 3.07	
19	WI1100200107	Cross flow fan		M21A0106	1	\$ 54.58	
20	WI1132890048	Chassis assembly		M21A0048	1	\$ 80.13	
21	WI1130100204	Pipe clamp board		M21A0204	1	\$ 3.07	
23	WI1232790008	Installation plate		M21A0008	1	\$ 13.96	
24	WI3332590875	Electronic control box assembly		M21A0875	1	#N/A	
24.1	WI1132890015	Cover of electronic control box		M21A0015	1	\$ 6.14	
24.2	WI1132890014	Electronic control box		M21A0014	1	\$ 22.34	
24.3	WI1332590699	Main control board assembly		M21A0699	1	#N/A	
24.3.1	WI2401200001	Fan motor capacitor		M21A0001	1	\$ 3.07	
24.4	WI2433190000	Indoor temperature sensor assembly		M21A0000	1	\$ 3.07	
24.5	WI2301300080	Pipe temperature sensor assembly		M21A0080	1	\$ 6.14	
24.6	WI2301450119	Wire joint		M21A0119	1	\$ 9.21	
24.8	WI2300900176	Transformer		M21A0176	1	\$ 52.21	
25	WI3355091200	Remote Controller		M21A1200	1	\$ 47.47	
27	WI2720090001	Seal ring		M21A0001	1	\$ 3.07	
28	WI1101020011	Drain connecter		M21A0011	1	\$ 3.07	
29	WI1600330003	Nut		M21A0003	1	\$ 3.07	
29	WI1600330001	Nut		M21A0001	1	\$ 3.07	
30	WI1132890023	Hinge Slide groove		M21A0023	2	\$ 3.07	
32	WI1132890060	Horizontal louver		M21A0060	1	\$ 56.96	
34	WI1132890024	Air filter(right)		M21A0024	1	\$ 9.21	

This information is to be used by qualify technicians only

KSIM1220- Part list No. P2IM20121301

Above prices, numbers, specifications subject to revision without notice

Drawing No. D2IM20121301

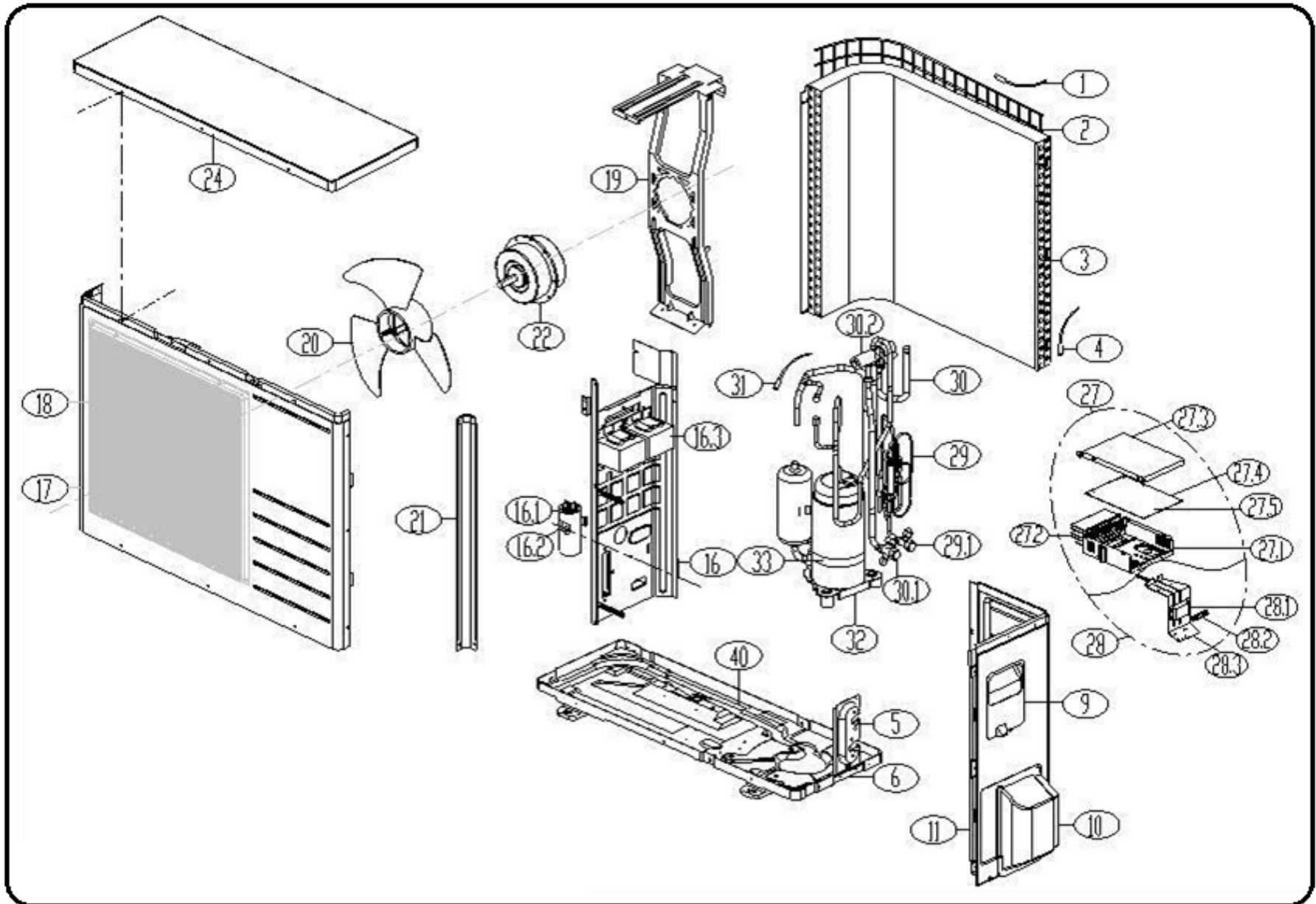
Above prices are subject S & H charges

DATE 13-01

# EXPLODED DIAGRAM - PARTS VIEW

Sale model : KSIM012-H220  
Power Supply : 208-230V~ 60Hz 1Phase

21B



This information is to be used by qualify AC technicians only

KSIM1220- Drawing No. D11M20121301

Above information subject to revision without notice

DATE 13-01

## SPARE PARTS LIST

Item No.	Part No.	Part Name	Specifications	Stock No.	Qty	Price	Remarks
1	HM2301310063	Indoor temperature sensor assembly		M21B0063	1	\$ 5.58	
2	HM11374G0003	Rear net		M21B0003	1	\$ 6.14	
3	HM1537490008	Condenser assembly		M21B0008	1	\$384.19	
4	HM2440500004	Pipe temperature sensor assembly		M21B0004	1	\$ 6.14	
5	HM1237200282	Valve plate		M21B0282	1	\$ 6.14	
6	HM1237590091	Chassis assembly		M21B0091	1	\$ 74.27	
9	HM1237390104	Big handle		M21B0104	1	\$ 9.21	
10	HM1137400000	Water collector		M21B0000	1	\$ 13.96	
11	HM1237590080	Rear right clapboard assembly		M21B0080	1	\$ 47.47	
16	HM1237500225	Partition board assembly		M21B0225	1	\$179.25	
16.1	HM2401000612	Capacitor of compressor		M21B0612	1	\$ 26.52	
16.2	HM1200100002	Capacitor clip		M21B0002	1	\$ 3.07	
16.3	HM2301000820	Reactance		M21B0820	1	\$ 78.32	
16.3	HM2301000819	Reactance		M21B0819	1	\$ 75.94	
17	HM1237400392	Front panel		M21B0392	1	\$ 78.18	
18	HM1137590017	Air outlet grille		M21B0017	1	\$ 34.48	
19	HM1237390026	Supporter assembly of fan motor		M21B0026	1	\$ 31.83	
20	HM1100390002	Axial flow fan		M21B0002	1	\$ 71.20	
21	HM1237400400	Left supporter		M21B0400	1	\$ 9.21	
22	HM2400370023	Asynchronous motor		M21B0023	1	\$201.03	
24	HM1237400405	Top cover assembly		M21B0405	1	\$ 45.09	

This information is to be used by qualify technicians only

KSIM1220- Part list No. P11M20121301

Above prices, numbers, specifications subject to revision without notice

Drawing No. D11M20121301

Above prices are subject S & H charges

DATE 13-01

## SPARE PARTS LIST

Item No.	Part No.	Part Name	Specifications	Stock No.	Qty	Price	Remarks
27	HM3337390159	Electronic control box assembly		M21B0159	1	\$387.54	
27.1	HM1237300033	Electronic control box		M21B0033	1	\$ 9.21	
27.2	HM2301901043	Radiator		M21B1043	1	\$ 45.09	
27.3	HM1237300162	Cover of electronic control box		M21B0162	1	\$ 9.21	
27.4	HM1337390096	Main control board assembly		M21B0096	1	\$359.62	
27.5	HM1137300162	Supporter of electronic control box		M21B0162	1	\$ 9.21	
28	HM3337590049	Terminal board assembly		M21B0049	1	\$ 47.47	
28.1	HM2301400223	Wire joint		M21B0223	1	\$ 13.96	
28.2	HM1135000004	Insulation plate		M21B0004	1	\$ 3.07	
28.3	HM1237590046	Terminal board		M21B0046	1	\$ 9.21	
29	HM1637490232	Liquid valve assembly		M21B0232	1	\$ 68.82	
29.1	HM1600740523	Liquid valve		M21B0523	1	\$ 29.18	
30	HM1637590195	4-way valve assembly		M21B0195	1	\$199.35	
30.1	HM1600720195	Gas valve		M21B0195	1	\$ 49.84	
30.2	HM1600690010	4-Ways valve		M21B0010	1	\$101.63	
31	HM2301310068	Discharge temperature sensor assembly		M21B0068	1	\$ 11.17	
32	HM1400620600	Compressor		M21B0600	1	\$461.25	
33	HM2403100501	Crankcase electric heater		M21B0501	1	\$ 23.87	
40	HM2403100187	Electric heater of chassis		M21B0187	1	\$ 54.58	

This information is to be used by qualify technicians only

KSIM1220- Part list No. P1IM20121301

Above prices, numbers, specifications subject to revision without notice

Drawing No. D1IM20121301

Above prices are subject S & H charges

DATE 13-01