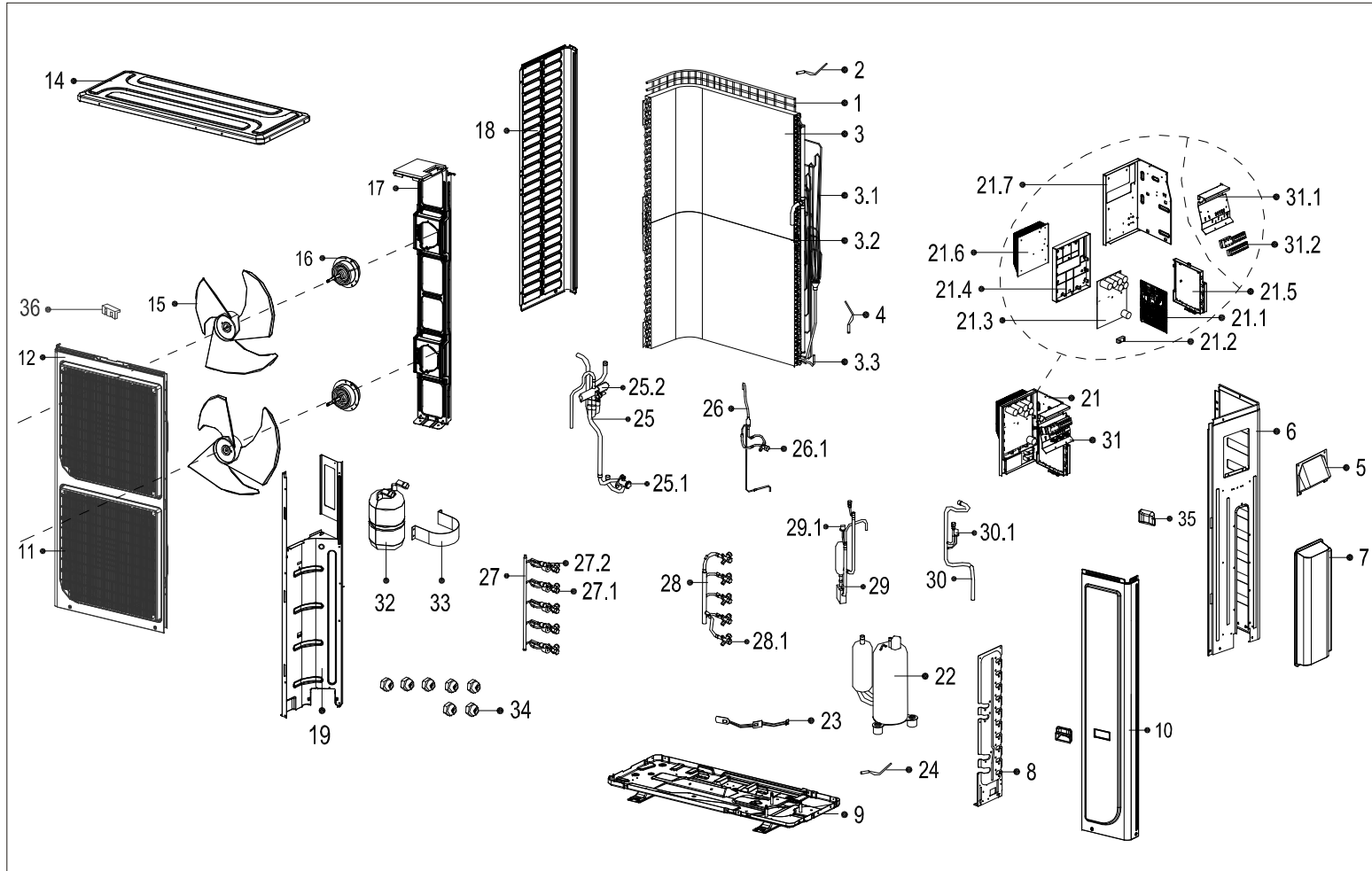


EXPLODED DIAGRAM - PARTS VIEW

Sale Model: KSIM548-H221

Power Supply: 208-230V~ / 1ph /60Hz



This information is to be used by qualified HVAC technicians only and is subject to revision without notice

KSIM548-H221 - Drawing No. D1IM1505

DATE 15-07

KSIM548-H221 - SPARE PARTS LIST

No.	Part Number	Part Name	Specifications	Stock No.	Qty.	Price	Remarks
1	12222200001527	Rear net			1	46.07	
2	11201007000122	Ambient temperature sensor assembly			1	6.82	
3	15823000000901	Condenser assembly			1	598.325	
3.1	15123000004460	Input pipe assembly			1	71.96	
3.2	15822300000007	Condenser			1	292.08	
3.2	15822300000023	Condenser			1	292.84	
3.3	15123000004523	Output pipe			1	3.85	
4	11201007000011	Pipe temperature sensor assembly			1	8.25	
4	11201007000142	Pipe temperature sensor assembly			1	29.45	
5	12222300000039	Big handle			1	11.2	
6	12222200001198	Rear right clapboard assembly			1	87.5	
7	12122300000016	Water collector			1	30.305	
8	12222300000015	Valve plate			1	26.98	
9	12222200001399	Chassis assembly			1	108.22	
10	12222200001915	Front right clapboard assembly			1	73.525	
11	12222200000317	Air outlet grille			2	43.605	
12	12222200001808	Front panel			1	115.99	
14	12222200001684	Top cover assembly			1	64.175	
15	12100105000035	Axial flow fan			2	47.005	ZL-525*135*12-3KFN
16	11002015000253	Brushless DC motor			2	238.26	ZKFP-85-8-1
17	12222200001451	Supporter assembly of fan motor			1	100.66	
18	12222200001891	Left clapboard			1	71.82	
19	12222200001155	Partition board assembly			1	76.79	
21	17222300000255	Electronic control box assembly			1	1002.645	

This information is to be used by qualified HVAC technicians only and is subject to revision without notice

KSIM548-H221 - Parts List No. P1IM1505

Above prices are subject to S&H charges

DATE 15-07

KSIM548-H221 - SPARE PARTS LIST

No.	Part Number	Part Name	Specifications	Stock No.	Qty.	Price	Remarks
21.1	17122300000521	Inverter control board assembly			1	574.56	
21.2	11201418000002	Rectifier bridge			1	164.28	
21.3	17122300000434	Outdoor main control board assembly			1	227.07	
21.4	12122300000004	Support of electronic control plate			1	17	
21.5	12122300000003	Support of electronic control plate			1	13.1	
21.6	11203803000300	Radiator			1	134.52	
21.7	12222300000005	Electronic installing box assembly			1	47.025	
22	11103020000113	Compressor			1	1018.185	MNB36FAAMC-L
23	17402001000003	Crankcase electric heater			1	25.365	
24	11201007000246	Discharge temperature sensor assembly			1	11.3	
25	15422300000089	4-Ways valve assembly			1	230.34	
25.1	15500204000049	Gas valve			1	62.985	
25.2	15500216000012	4-Ways valve			1	132.96	
26	15422300000064	liquid valve assembly			1	46.36	
26.1	15500208000047	Liquid valve			1	26.505	
27	15422300000031	liquid valve assembly			1	256.72	
27.1	15500208000028	Liquid valve			5	19	
27.2	15500213000046	Electronic expansion valve assembly			5	93.1	
28	15422300000224	Gas valve assembly			1		
28.1	15500204000021	Gas valve			3	27.74	
28.1	15500204000058	Gas valve			2	31.065	
29	15122300000405	Discharge pipe assembly			1	92.89	
29.1	17400516000020	Pressure switch			1	26.6	
30	15122300000433	Suction pipe assembly			1	72.08	

This information is to be used by qualified HVAC technicians only and is subject to revision without notice

KSIM548-H221 - Parts List No. P1IM1505

Above prices are subject to S&H charges

DATE 15-07

KSIM548-H221 - SPARE PARTS LIST

No.	Part Number	Part Name	Specifications	Stock No.	Qty.	Price	Remarks
30.1	17400516000008	Pressure switch			1	25.08	
31	17222300000166	Terminal board assembly			1	98.91	
31.1	12222300000288	Terminal Installing Plate			1	13.1	
31.2	17400401000082	Terminal block			1	14.9	
31.2	17400401000084	Terminal block			1	18.9	
31.2	17400401000135	Terminal block			1	13.3	
32	15500508000009	Accumulator cylinder			1	87.64	
33	12222200001566	Fix clamp of segregator			1	1.21	
34	15500406000010	Copper nut			3	4.62	
34	15500406000012	Copper nut			2	6.05	
34	15500406000016	Copper nut			5	2.86	
35	12100702000047	Handle			2	1.54	
36	12122000006844	Clamp of front net			16	0.22	

This information is to be used by qualified HVAC technicians only and is subject to revision without notice

KSIM548-H221 - Parts List No. P1IM1505

Above prices are subject to S&H charges

DATE 15-07