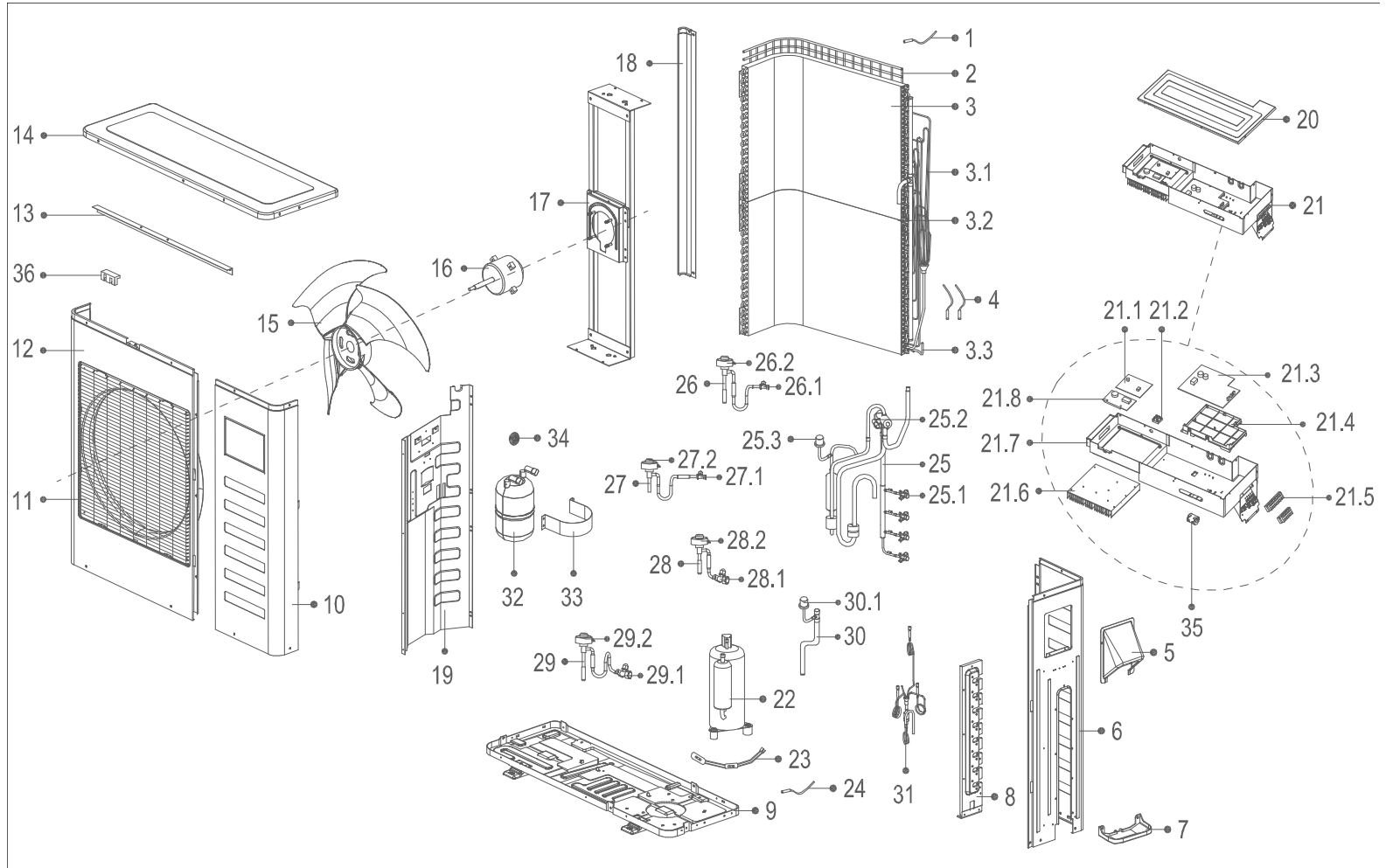


# EXPLODED DIAGRAM - PARTS VIEW

**Sales Model:** KSIM40912-H216 | 2G  
**Power Supply:** 208-230V~ 60Hz 1Phase



This information is to be used by qualified HVAC technicians only and is subject to revision without notice

KSIM40912-H216 - 2G - Drawing No. D1IM1305

DATE 13-06

## KSIM40912-H216 - 2G - SPARE PARTS LIST

No.	Part Number	Part Name	Specifications	Stock No.	Qty.	Price	Remarks
1	2011487G0001	Rear net			1	\$11.40	
2	202301310075	Ambient temperature sensor assembly			1	\$6.27	
3	201557190043	Condenser assembly			1	\$572.30	
3.1	201657290044	Input pipe assembly			1	\$75.48	
3.2	201557190044	Condenser assembly			1	\$295.56	
3.2	201557190045	Condenser assembly			1	\$298.98	
3.3	201657290037	Fluted pipe assembly			1	\$70.64	
4	202301300111	Pipe temperature sensor assembly			1	\$9.41	
4	202301300421	Pipe temperature sensor assembly			1	\$11.40	
5	201257190112	Big handle			1	\$11.40	
6	201257190090	Rear right clapboard assembly			1	\$86.21	
7	201137300183	Water collector			1	\$3.14	
8	201257190105	Valve plate			1	\$24.51	
9	201275590093	Chassis assembly			1	\$142.38	
10	201248700056	Front right clapboard assembly			1	\$82.75	
11	201248700055	Air outlet grille			1	\$46.31	
12	201248700270	Front panel			1	\$116.24	
13	2012487G0011	Rear supporter			1	\$9.41	
14	201257190096	Top cover assembly			1	\$74.13	
15	201100320624	Axial flow fan			1	\$94.19	
16	202400300051	Asynchronous motor			1	\$392.91	WZDK180-38G
17	201275590219	Supporter assembly of fan motor			1	\$78.23	
18	201248700262	Left supporter			1	\$20.10	
19	201257290010	Partition board assembly			1	\$75.48	

This information is to be used by qualified HVAC technicians only and is subject to revision without notice

KSIM40912-H216 -2G - Parts List No. P1IM1305

Above prices are subject to S&H charges

DATE 13-06

## KSIM40912-H216 - 2G - SPARE PARTS LIST

No.	Part Number	Part Name	Specifications	Stock No.	Qty.	Price	Remarks
20	201257190052	Cover of electronic control box			1	\$24.51	
21	203357190092	Electronic control box assembly			1	\$804.88	
21.1	201357190031	Variable-frequency Module Subassembly			1	\$262.91	
21.2	202300500328	Insulation plate			1	\$22.95	
21.3	201357190091	Main control board assembly			1	\$255.42	
21.4	201157390005	Installation plate of electric parts			1	\$17.25	
21.5	202301450157	Wire joint			1	\$27.22	
21.5	202301450156	Wire joint			1	\$20.10	
21.6	202301901085	Radiator			1	\$132.30	
21.7	201257190055	Installation plate of electric parts			1	\$70.14	
21.8	201319901145	Active PFC Module Subassembly			1	\$274.92	
22	201401500220	Compressor			1	\$1,481.39	
23	202403101715	Crankshaft Electrical Heating Strip			1	\$35.34	
24	202448200000	Discharge temperature sensor assembly			1	\$17.25	
25	201657290028	4-Ways valve assembly			1	\$268.02	
25.1	201600720091	Gas valve			4		
25.2	201600600124	4-Ways valve			1	\$204.48	
25.3	202301820042	Pressure Controller(RoHS)			1		
26	201657290018	liquid valve assembly			1	\$135.72	
26.1	201600740091	Liquid valve			1	\$24.51	
26.2	201601300554	liquid valve assembly(35X2)			1	\$130.31	
27	201657290020	liquid valve assembly			1	\$135.72	
27.1	201600740091	Liquid valve			1	\$24.51	
27.2	201601300554	liquid valve assembly(35X2)			1	\$130.31	

This information is to be used by qualified HVAC technicians only and is subject to revision without notice

KSIM40912-H216 -2G - Parts List No. P1IM1305

Above prices are subject to S&H charges

DATE 13-06

## KSIM40912-H216 - 2G - SPARE PARTS LIST

No.	Part Number	Part Name	Specifications	Stock No.	Qty.	Price	Remarks
28	201657290021	liquid valve assembly			1	\$139.14	
28.1	201600740091	Liquid valve			1	\$24.51	
28.2	201601300554	liquid valve assembly(35X2)			1	\$130.31	
29	201657290023	liquid valve assembly			1	\$139.14	
29.1	201600740091	Liquid valve			1	\$24.51	
29.2	201601300554	liquid valve assembly(35X2)			1	\$130.31	
30	201657190421	Suction pipe assembly			1	\$74.13	
30.1	202301820021	Pressure Controller(RoHS)			1		
31	201657290009	Capillary assembly			1	\$80.33	
32	201601000074	Accumulator cylinder			1	\$120.23	
33	201245000901	Fix clamp of segregator			1	\$6.27	
34	202301000523	PFC Inductor			1	\$154.62	
35	202301000020	Magnetic Loop			2	\$22.95	
36	201135110801	Clamp of front net			10	\$3.14	

This information is to be used by qualified HVAC technicians only and is subject to revision without notice

KSIM40912-H216 -2G - Parts List No. P1IM1305

Above prices are subject to S&H charges

DATE 13-06