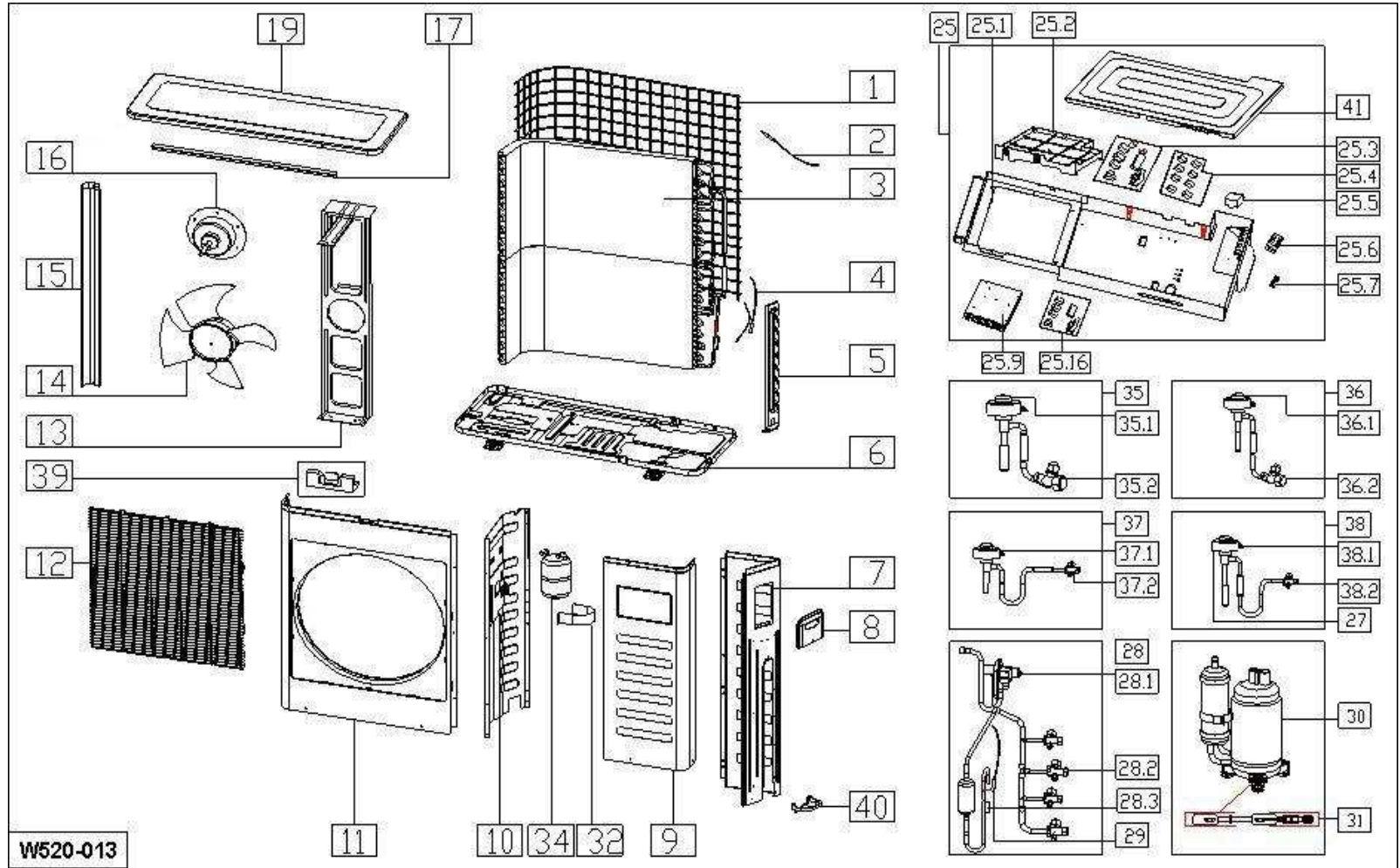


EXPLODED DIAGRAM - PARTS VIEW

Sales Model : KSIM40912-H216 | 1G

Power Supply : 220-230V~ 60Hz 1Phase



This information is to be used by qualified HVAC technicians only and is subject to revision without notice

KSIM40912-H216 - 1G - Drawing No. D1IM1206

DATE 12-08

KSIM40912-H216 - 1G - SPARE PARTS LIST

No.	Part Number	Part Name	Specifications	Stock No.	Qty.	Price	Remarks
1	2011487G0001	Rear net			1	\$13.96	
2	202301300196	Indoor temperature sensor assembly			1	\$6.14	
3	201557190043	Condenser assembly			1	\$629.33	
4	202301300111	Pipe temperature sensor assembly			1	\$9.21	
4	202301300421	Pipe temperature sensor assembly			1	\$11.17	
5	201257190105	Valve plate			1	\$31.83	
6	201257190101	Chassis assembly			1	\$136.81	
7	201257190090	Rear right clapboard assembly			1	\$86.00	
8	201137300183	Water collector			1		
9	201248700263	Front right clapboard assembly			1	\$70.36	
10	201257290010	Partition board assembly			1	\$75.94	
11	201248700270	Front panel			1	\$132.90	
12	201248700279	Air outlet grille			1	\$42.72	
13	201275590200	Supporter assembly of fan motor			1	\$75.94	
14	201100300145	Axial flow fan			1	\$76.22	
15	201248700262	Left supporter			1	\$19.54	
16	202400400956	Asynchronous motor			1	\$251.29	
17	201245420620	Rear net frame			1	\$13.96	
19	201257190096	Top cover assembly			1	\$76.22	
25	203357190059	Electronic control box assembly			1		
25.1	201257190055	Electronic control box			1	\$70.36	
25.2	201157390005	Installation plate of PCB			1	\$16.75	
25.3	201357190065	Main control board assembly			1		
25.4	201357190031	Inverter control board assembly			1	\$335.05	

This information is to be used by qualified HVAC technicians only and is subject to revision without notice

KSIM40912-H216 -1G - Parts List No. P1IM1206

Above prices are subject to S&H charges

DATE 12-08

KSIM40912-H216 - 1G - SPARE PARTS LIST

No.	Part Number	Part Name	Specifications	Stock No.	Qty.	Price	Remarks
25.5	202401190046	Fan motor capacitor			1	\$13.96	
25.6	202301450157	Wire joint			1	\$29.18	
25.6	202301450156	Wire joint			1	\$19.54	
25.7	201157390004	Insulation plate			1	\$3.07	
25.7	201135000004	Insulation plate			1	\$3.07	
25.9	202301901085	Radiator			1	\$130.95	
25.16	201319901145	PFC module assembly			1	\$356.69	
28	201657290028	4-way valve assembly			1	\$293.73	
28.1	201600720091	Gas valve			4	\$42.72	
28.2	201600600124	4-Ways valve			1	\$221.13	
29	202448200000	Discharge temperature sensor assembly			1	\$11.17	
30	201401500220	Compressor			1	\$1,584.08	
31	202301940004	Crankcase electric heater			1	\$34.48	
32	201245000901	Fix clamp of segregator			1	\$6.14	
34	201601000074	Accumulator cylinder			1	\$128.99	
35	201657290018	liquid valve assembly A			1	\$137.37	
35.1	201601300554	Electronic expansion valve			1	\$127.04	
35.2	201600740091	Liquid valve			1	\$29.18	
36	201657290020	Liquid valve assembly B			1	\$137.37	
36.1	201601300554	Electronic expansion valve			1	\$127.04	
36.2	201600740091	Liquid valve			1	\$29.18	
37	201657290021	Liquid valve assembly C			1	\$140.72	
37.1	201601300554	Electronic expansion valve			1	\$127.04	
37.2	201600740091	Liquid valve			1	\$29.18	

This information is to be used by qualified HVAC technicians only and is subject to revision without notice

KSIM40912-H216 -1G - Parts List No. P1IM1206

Above prices are subject to S&H charges

DATE 12-08

KSIM40912-H216 - 1G - SPARE PARTS LIST

No.	Part Number	Part Name	Specifications	Stock No.	Qty.	Price	Remarks
38	201657290023	Liquid valve assembly D			1	\$140.72	
38.1	201601300554	Electronic expansion valve			1	\$127.04	
38.2	201600740091	Liquid valve			1	\$29.18	
39	201135110801	Clamp of front net			10	\$3.07	
40	201257190112	Big Handle			1	\$16.75	
41	201257190052	Cover of electronic control box			1	\$29.18	

This information is to be used by qualified HVAC technicians only and is subject to revision without notice

KSIM40912-H216 -1G - Parts List No. P1IM1206

Above prices are subject to S&H charges

DATE 12-08