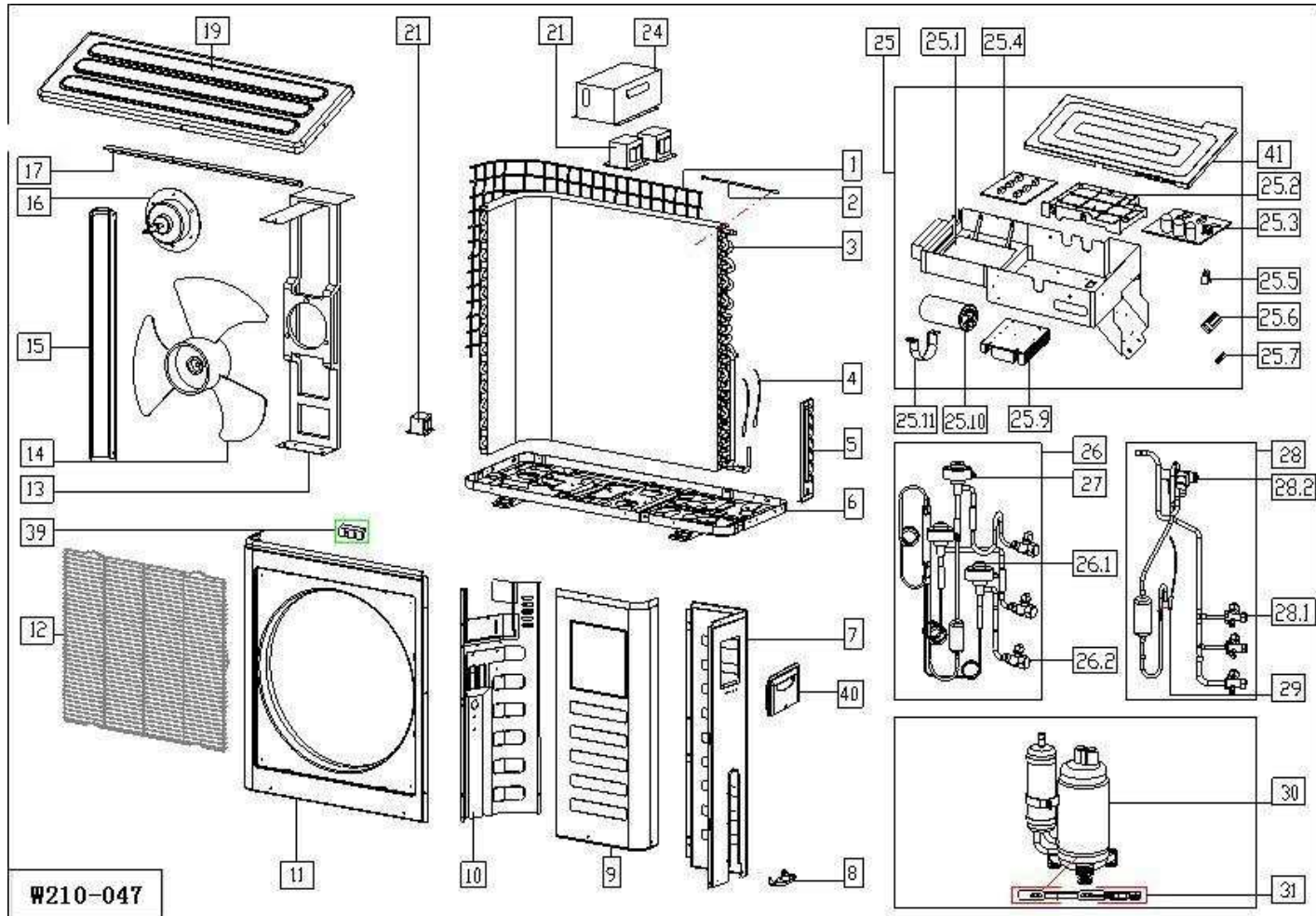


EXPLODED DIAGRAM - PARTS VIEW

Sales Model : KSIM30912-H216 | 1G

Power Supply : 208-230V~ /1ph / 60Hz



This information is to be used by qualified HVAC technicians only and is subject to revision without notice

KSIM30912-H216 - 1G - Drawing No. D1IM1306

DATE 13-05

KSIM30912-H216 - 1G - SPARE PARTS LIST

No.	Part Number	Part Name	Specifications	Stock No.	Qty.	Price	Remarks
1	2011481G0001	Rear net			1	\$11.17	
2	202301300196	Indoor temperature sensor assembly			1	\$6.14	
3	201557190030	Condenser assembly			1	\$379.72	
4	202440500004	Pipe temperature sensor assembly			1	\$6.14	
4	202301300422	Pipe temperature sensor assembly			1	\$11.17	
5	201257190109	Valve plate			1	\$29.18	
6	201257090054	Chassis assembly			1	\$93.81	
7	201257190094	Rear right clapboard assembly			1	\$59.33	
8	201137300183	Water collector			1	—	
9	201248100350	Front right clapboard assembly			1	\$42.72	
10	201257190026	Partition board assembly			1	\$42.72	
11	201248100359	Front panel			1	\$83.06	
12	201237890112	Air outlet grille			1	\$39.79	
13	2012481G0039	Supporter assembly of fan motor			1	\$52.21	
14	201145500002	Axial flow fan			1	\$75.94	
15	201248100367	Left supporter			1	\$16.75	
16	202400400955	Asynchronous motor			1	\$194.33	
17	201248100076	Rear net frame			1	\$9.21	
19	201257190097	Top cover assembly			1	\$66.45	
21	202301000910	Reactance			1	\$123.97	
21	202301050025	Reactance			1	\$165.85	
21	202301000913	Reactance			1	\$95.77	
24	201248090001	Cover of inductance			1	\$16.75	

This information is to be used by qualified HVAC technicians only and is subject to revision without notice

KSIM30912-H216 - 1G - Parts List No. P1IM1306

Above prices are subject to S&H charges

DATE 13-05

KSIM30912-H216 - 1G - SPARE PARTS LIST

No.	Part Number	Part Name	Specifications	Stock No.	Qty.	Price	Remarks
25	203357190029	Electronic control box assembly			1	\$566.79	
25.1	201257190050	E-Parts box			1	\$45.09	
25.2	201157390005	Installation plate of PCB			1	\$16.75	
25.3	201357190030	Main control board assembly			1	\$261.34	
25.4	201357190062	Inverter control board assembly			1	\$299.31	
25.5	202401100353	Fan motor capacitor			1	\$6.14	
25.6	202301450156	Wire joint			2	\$19.54	
25.7	201157390004	Insulation plate			1	\$3.07	
25.9	202301990006	Radiator			1	\$70.36	
25.1	202401000612	Capacitor of compressor			1	\$26.52	
25.11	201200100026	Capacitor clip			1	\$3.07	
26	201657190409	Liquid valve assembly			1	\$246.82	
26.2	201600740100	Liquid valve			3	\$31.83	
28	201657190224	4-way valve assembly			1	\$236.21	
28.1	201600720091	Gas valve			3	\$42.72	
28.2	201600690011	4-Ways valve			1	\$119.22	
29	202448200000	Discharge temperature sensor assembly			1	\$11.17	
30	201400600530	Compressor			1	\$917.61	
31	202403100500	Crankcase electric heater			1	\$23.87	
39	201135110801	Clamp of front net			8	\$3.07	
40	201257190112	Big Handle			1	\$16.75	
41	201257090037	Cover of electronic control box			1	\$19.54	

This information is to be used by qualified HVAC technicians only and is subject to revision without notice

KSIM30912-H216 - 1G - Parts List No. P1IM1306

Above prices are subject to S&H charges

DATE 13-05