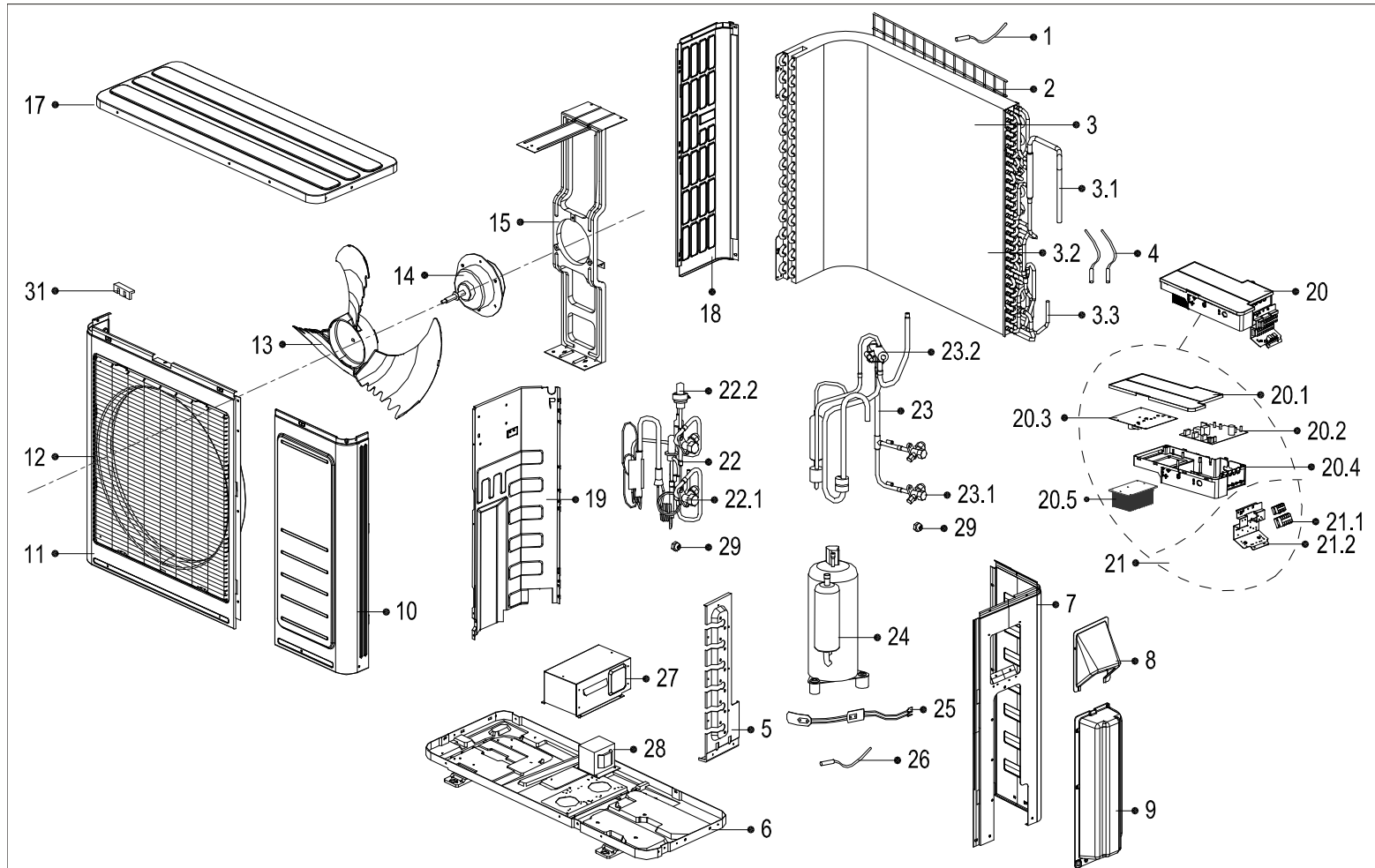


# EXPLODED DIAGRAM - PARTS VIEW

**Sales Model:** KSIM20912-H216 (220057000700)

**Power Supply:** 208-230V~ 60Hz 1Phase



This information is to be used by qualified HVAC technicians only and is subject to revision without notice

KSIM20912-H216 - 2G - Drawing No. D1IM1401

DATE 14-06

## KSIM20912-H216 -2G - SPARE PARTS LIST

No.	Part Number	Part Name	Specifications	Stock No.	Qty.	Price	Remarks
1	202301310075	Ambient temperature sensor assembly			1	\$5.94	
2	201248100375	Rear net			1	\$26.79	
3	201557090037	Condenser assembly			1	\$295.26	
3.1	201657190450	Input pipe assembly			1	\$69.11	
3.2	201537890031	Condenser			1	\$241.32	
3.3	201657190406	Output pipe			1	\$5.61	
4	202440500004	Pipe temperature sensor assembly			1	\$7.76	
4	202301300423	Pipe temperature sensor assembly			1	\$10.65	
5	201257190109	Valve plate			1	\$32.35	
6	201257090054	Chassis assembly			1	\$100.91	
7	201257190094	Rear right clapboard assembly			1	\$61.46	
8	201257190112	Big handle			1	\$13.20	
9	201157190013	Water collector			1	\$18.90	
10	201248100389	Front right clapboard assembly			1	\$56.48	
11	201248100356	Front panel			1	\$72.17	
12	201237890112	Air outlet grille			1	\$42.18	
13	201100300553	Axial flow fan			1	\$70.25	
14	202400300535	Brushless DC Motor			1	\$250.26	WZDK50-38G
15	201257090067	Supporter assembly of fan motor			1	\$69.62	
16	201248100384	Rear supporter			1	\$7.26	
17	201257190097	Top cover assembly			1	\$65.03	
18	201248100364	Left supporter			1	\$34.20	
19	201257190118	Partition board assembly			1	\$55.85	
20	203357090065	Electronic control box assembly			1	\$619.44	

This information is to be used by qualified HVAC technicians only and is subject to revision without notice

KSIM20912-H216 - 2G - Parts List No. P1IM1401

Above prices are subject to S&H charges

DATE 14-06

## KSIM20912-H216 - 2G - SPARE PARTS LIST

No.	Part Number	Part Name	Specifications	Stock No.	Qty.	Price	Remarks
20.1	201157190011	Cover of electronic control box			1	\$36.05	
20.2	201357090067	Outdoor main control board assembly			1	\$269.91	
20.3	201357190108	Inverter control board assembly			1	\$400.32	
20.4	201157190010	Installation plate of electric parts			1	\$73.70	
20.5	202301901173	Radiator			1	\$83.48	
21	203357090064	Terminal board assembly			1	\$79.38	
21.1	202301450157	Wire joint			1	\$27.36	
21.2	201257190117	Terminal board			1	\$9.24	
22	201657090307	Liquid valve assembly			1	\$333.90	
22.1	201600740097	Liquid valve			2	\$22.66	
22.2	201601300658	Electronic expansion valve assembly			2	\$134.19	
23	201657090312	4-ways valve assembly			1	\$239.04	
23.1	201600720091	Gas valve			2	\$41.04	
23.2	201600690011	4-ways valve			1	\$105.11	
24	201400600540	Compressor			1	\$730.22	DA130S1C-20FZ
25	202403100500	Crankcase electric heater			1	\$33.20	
26	202448200000	Discharge temperature sensor assembly			1	\$17.10	
27	201248090001	Cover of inductance			1	\$17.25	
28	202301000943	Reactor			1	\$113.51	
29	201600320000	Copper nut			2	\$4.46	
31	201135110801	Clamp of front net			8	\$0.33	

This information is to be used by qualified HVAC technicians only and is subject to revision without notice

KSIM20912-H216 - 2G - Parts List No. P1IM1401

Above prices are subject to S&H charges

DATE 14-06