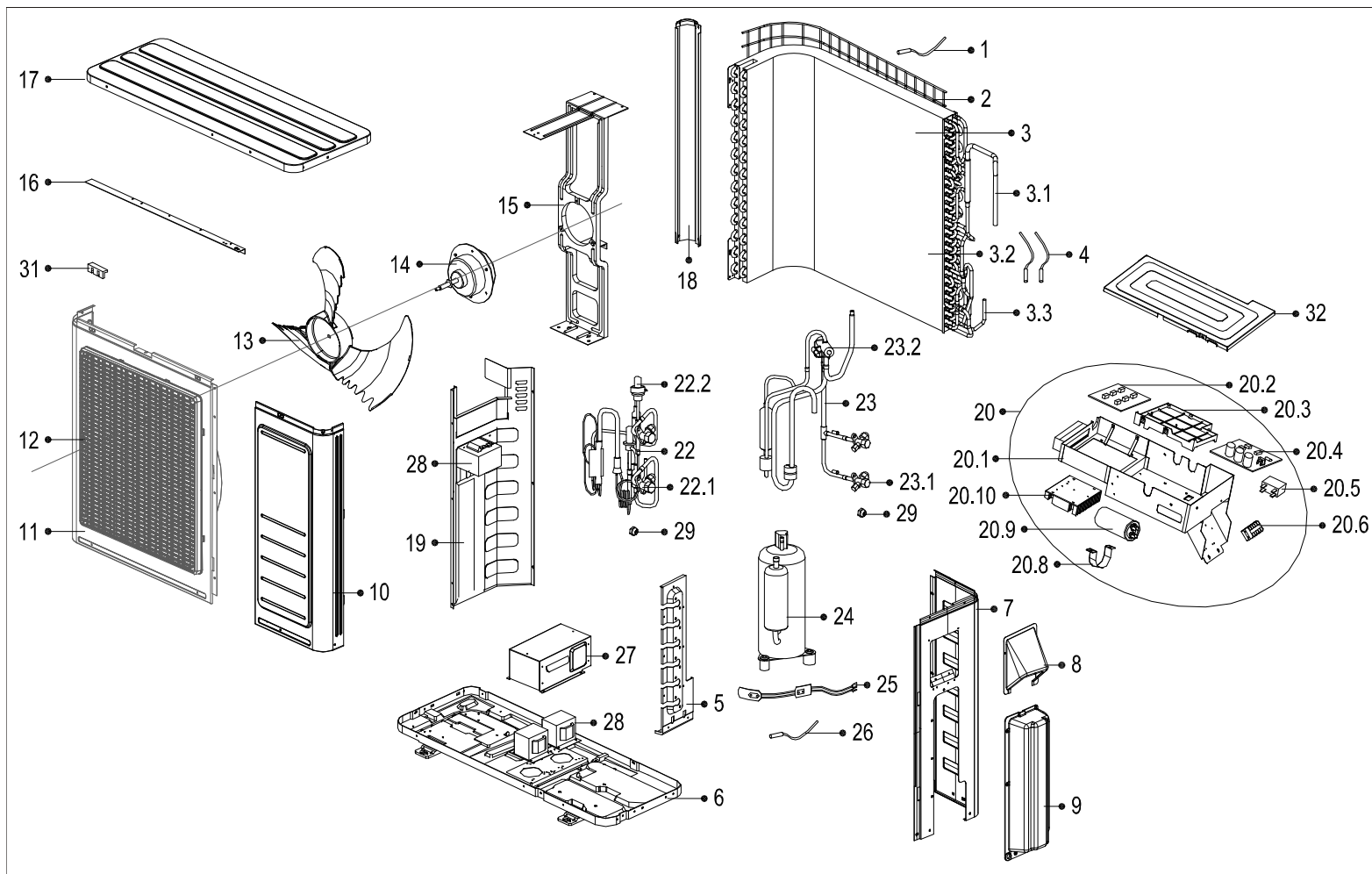


EXPLODED DIAGRAM - PARTS VIEW

Sales Model: KSIM20912-H216 (220057000460)

Power Supply: 208-230V~ / 1ph / 60Hz



This information is to be used by qualified HVAC technicians only and is subject to revision without notice

KSIM20912-H216 - 1G - Drawing No. D1IM1305

DATE 13-05

KSIM20912-H216 - 1G - SPARE PARTS LIST

No.	Part Number	Part Name	Specifications	Stock No.	Qty.	Price	Remarks
1	202301310075	Ambient temperature sensor assembly			1	6.27	
2	2011481G0001	Rear net			1	9.46	
3	201557090037	Condenser assembly			1	296.72	
3.1	201657190450	Input pipe assembly			1		
3.2	201537890031	Condenser			1		
3.3	201657190406	Output pipe			1		
4	202440500004	Pipe temperature sensor assembly			1	6.27	
4	202301300423	Pipe temperature sensor assembly			1	11.40	
5	201257190109	Valve plate			1	29.93	
6	201257090054	Chassis assembly			1	104.30	
7	201257190128	Rear right clapboard assembly			1		
8	201257190112	Big handle			1	11.40	
9	201157190013	Water collector			1		
10	201248100389	Front right clapboard assembly			1	56.02	
11	201248100390	Front panel			1	82.25	
12	201237890112	Air outlet grille			1	40.76	
13	201145500002	Axial flow fan			1	70.64	
14	202400400955	Asynchronous motor			1	226.80	YDK70-6FB
15	2012481G0038	Supporter assembly of fan motor			1	51.17	
16	201248100384	Rear supporter			1	9.46	
17	201257190097	Top cover assembly			1	63.24	
18	201248100367	Left supporter			1	17.30	
19	201257190124	Partition board assembly			1		

This information is to be used by qualified HVAC technicians only and is subject to revision without notice

KSIM20912-H216 - 1G - Parts List No. P1IM1305

Above prices are subject to S&H charges

DATE 13-05

KSIM20912-H216 - 1G - SPARE PARTS LIST

No.	Part Number	Part Name	Specifications	Stock No.	Qty.	Price	Remarks
20	203357090028	Electronic control box assembly			1	453.04	
20.1	201257190050	Electronic control box			1	43.86	
20.2	201357190062	Inverter control board assembly			1	262.94	
20.3	201157390005	Support of electronic control plate			1	17.30	
20.4	201357090035	Outdoor main control board assembly			1	253.89	
20.5	202401100353	Fan motor capacitor			1	9.46	3uF/450V
20.6	202301450156	Wire joint			2	20.10	
20.8	201200100057	Capacitor clip			1		
20.9	202401000079	Capacitor of compressor			1		30uF/450V-50-P2(2000h)
20.1	202301990007	Radiator			1	70.14	
22	201657090307	Liquid valve assembly			1	248.76	
22.1	201600740097	Liquid valve			2	24.51	
22.2	201601300658	Electronic expansion valve assembly			2		
23	201657090312	4-ways valve assembly			1	184.28	
23.1	201600720091	Gas valve			2		
23.2	201600690011	4-ways valve			1	116.27	
24	201400600540	Compressor			1	763.77	DA130S1C-20FZ
25	202403100500	Crankcase electric heater			1	32.68	
26	202448200000	Discharge temperature sensor assembly			1	17.30	
27	201248090001	Cover of inductance			1	17.30	
28	202301000818	Reactor			1	213.06	
28	202301000832	Reactor			1	204.48	
28	202301040055	Reactor			1	73.10	

This information is to be used by qualified HVAC technicians only and is subject to revision without notice

KSIM20912-H216 - 1G - Parts List No. P1IM1305

Above prices are subject to S&H charges

DATE 13-05

KSIM20912-H216 - SPARE PARTS LIST

No.	Part Number	Part Name	Specifications	Stock No.	Qty.	Price	Remarks
29	201600320000	Copper nut			2		
31	201135110801	Clamp of front net			8	3.19	
32	201257090037	Cover of electronic control box			1	14.30	

This information is to be used by qualified HVAC technicians only and is subject to revision without notice

KSIM20912-H216 - 1G - Parts List No. P1IM1305

Above prices are subject to S&H charges

DATE 13-05